

## Limit value switches - MCR-2SP-UI-DC - 2769873

Please be informed that the data shown in this PDF Document is generated from our Online Catalog. Please find the complete data in the user's documentation. Our General Terms of Use for Downloads are valid (<http://phoenixcontact.com/download>)



MCR threshold value switch, with 2 adjustable relay contacts, with electrically isolated power pack, input signal 0 ... 10 V/0 ... 20 mA. Replacement part: 2902035 MINI MCR-2-UI-REL-PT.

The figure shows version MCR-2SP-UI



### Key Commercial Data

Packing unit	1 pc
GTIN	
GTIN	4017918067694

### Technical data

#### Note

Utilization restriction	EMC: class A product, see manufacturer's declaration in the download area
-------------------------	---

#### Dimensions

Width	45 mm
Height	75 mm
Depth	108 mm

#### Ambient conditions

Ambient temperature (operation)	-20 °C ... 65 °C
Ambient temperature (storage/transport)	-20 °C ... 65 °C

#### Input data

Description of the input	Analog input
Configurable/programmable	Yes
Voltage input signal	0 V ... 10 V
Current input signal	0 mA ... 20 mA
max. input voltage	13 V

## Limit value switches - MCR-2SP-UI-DC - 2769873

### Technical data

#### Input data

Max. input current	100 mA
Input resistance of voltage input	200 kΩ
Input resistance current input	50 Ω
Internal hysteresis	approx. 100 mV
	approx. 200 μA
Setting option	2-figure momentary-contact coding switch (0 ... 99%)
	External analog value definition
	2-figure momentary-contact coding switch (0 ... 99%) and external analog value definition
Description of the input	Setpoint input
Number of inputs	2
Configurable/programmable	Yes
Voltage input signal	0 V ... 10 V
Current input signal	0 mA ... 20 mA
max. input voltage	13 V
Max. input current	100 mA
Input resistance of voltage input	200 kΩ
Input resistance current input	50 Ω

#### Switching output

Output name	Relay output
Contact type	2 PDT contact, pick-up/drop-out (can be switched)
Contact material	Silver cadmium oxide (AgCdO)
Maximum switching voltage	250 V AC
Mechanical service life	3x 10 <sup>7</sup> cycles
Setting range of the response delay	40 ms ... 4 s (adjustable)
Status display	LED
Max. switching current	3 A

#### Power supply

Nominal supply voltage	24 V DC
Supply voltage range	20 V DC ... 30 V DC
Max. current consumption	50 mA
Power consumption	< 1.5 W

#### General

No. of channels	2
Maximum temperature coefficient	≤ 0.01 %/K
Step response (10-90%)	40 ms
Degree of pollution	2
Test voltage input/power supply	1 kV AC (50 Hz, 1 min.)
Color	green

# Limit value switches - MCR-2SP-UI-DC - 2769873

## Technical data

### General

Housing material	PC
Mounting position	Vertical (horizontal DIN rail)

### Standards and Regulations

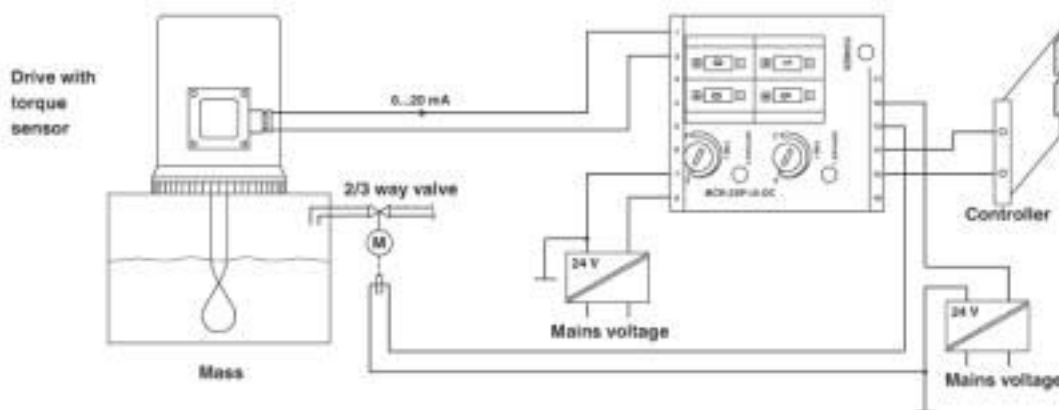
Connection in acc. with standard	CUL
Conformance	CE-compliant
UL, USA/Canada	cULus

### Environmental Product Compliance

REACH SVHC	Lead 7439-92-1
China RoHS	Environmentally Friendly Use Period = 50 years
	For details about hazardous substances go to tab "Downloads", Category "Manufacturer's declaration"

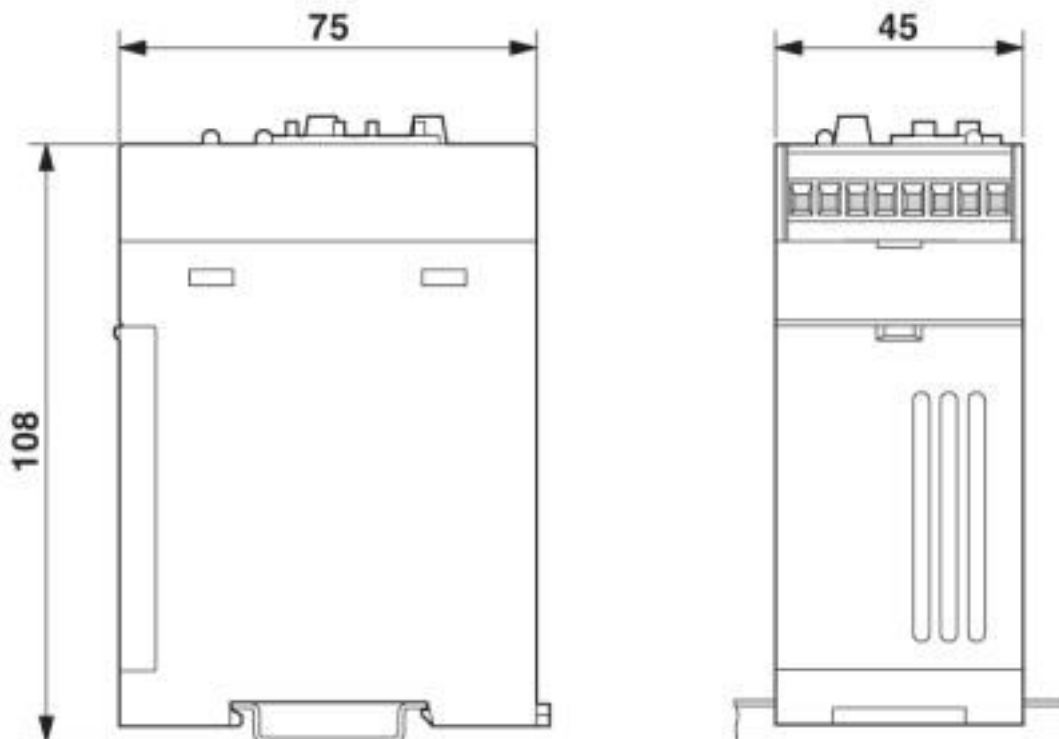
## Drawings

Application drawing

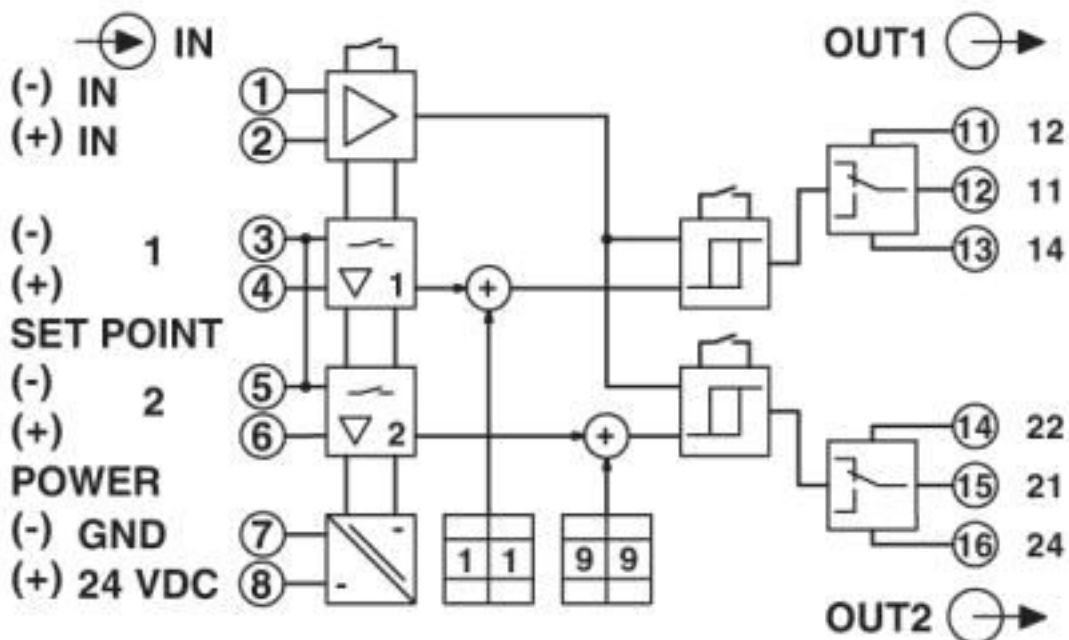


# Limit value switches - MCR-2SP-UI-DC - 2769873

Dimensional drawing



Circuit diagram



# Limit value switches - MCR-2SP-UI-DC - 2769873

## Classifications

### eCl@ss

eCl@ss 10.0.1	27210122
eCl@ss 4.0	27210100
eCl@ss 4.1	27210100
eCl@ss 5.0	27210100
eCl@ss 5.1	27210100
eCl@ss 6.0	27210100
eCl@ss 7.0	27210122
eCl@ss 8.0	27210122
eCl@ss 9.0	27210122

### ETIM

ETIM 2.0	EC001440
ETIM 3.0	EC001440
ETIM 4.0	EC001440
ETIM 5.0	EC002654
ETIM 6.0	EC002654
ETIM 7.0	EC002654

### UNSPSC

UNSPSC 6.01	30211506
UNSPSC 7.0901	39121008
UNSPSC 11	39121008
UNSPSC 12.01	39121008
UNSPSC 13.2	39121008

## Approvals

### Approvals

#### Approvals

UL Recognized / cUL Recognized / EAC / EAC / cULus Recognized


#### Ex Approvals

### Approval details

UL Recognized		<a href="http://database.ul.com/cgi-bin/XYV/template/LISEXT/1FRAME/index.htm">http://database.ul.com/cgi-bin/XYV/template/LISEXT/1FRAME/index.htm</a>	FILE E 238705
---------------	--	---	---------------

## Limit value switches - MCR-2SP-UI-DC - 2769873

### Approvals

cUL Recognized		<a href="http://database.ul.com/cgi-bin/XYV/template/LISEXT/1FRAME/index.htm">http://database.ul.com/cgi-bin/XYV/template/LISEXT/1FRAME/index.htm</a>	FILE E 238705
----------------	---	---	---------------

EAC			TR_TS_D_00573_c
-----	---	--	-----------------

EAC			RU*C- DE.*08.B.00010
-----	---	--	-------------------------

cULus Recognized			
------------------	---	--	--

Phoenix Contact 2020 © - all rights reserved  
<http://www.phoenixcontact.com>

PHOENIX CONTACT GmbH & Co. KG  
Flachmarktstr. 8  
32825 Blomberg  
Germany  
Tel. +49 5235 300  
Fax +49 5235 3 41200  
<http://www.phoenixcontact.com>

## X-ON Electronics

Largest Supplier of Electrical and Electronic Components

*Click to view similar products for [Terminal Block Interface Modules](#) category:*

*Click to view products by [Phoenix Contact](#) manufacturer:*

Other Similar products are found below :

[73-551-6002I](#) [GCN1MX25B](#) [DIN-50P-01](#) [DIN-68H-01](#) [DIN-96DI-01](#) [2291901](#) [2295185](#) [2907794](#) [2M10FCL](#) [FLKM-2I/O](#) [FLKM-4I/O](#)  
[2281759](#) [2906251](#) [2907808](#) [5601749](#) [5541962](#) [1776613-1](#) [GCN1-004A](#) [ADAM-3920R-AE](#) [060-6827-06](#) [2311030](#) [2287708](#) [XW2C-20G6-](#)  
[IO16](#) [GCN1-T](#) [MACX](#) [MCR-VAC](#) [5775235](#) [ADAM-3956-BE](#) [XW6T-COM2.5X20YL](#) [XW6T-COM1.5X8BL](#) [XW6T-COM1.5X16BL](#)  
[XW6T-COM1.5X20YL](#) [XW6T-COM1.5X16YL](#) [XW6T-COM1.5X20RD](#) [XW6T-COM1.5X20BL](#) [XW6T-COM2.5X8BL](#) [1976610000](#) [UM](#)  
[45-D50SUB/B/ZFKDS](#) [5541234](#) [410-261](#) [902056](#) [2906243](#) [2906915](#) [2907706](#) [ADAM-3909-AE](#) [ADAM-3920-AE](#) [ADAM-3925-AE](#)  
[ADAM-3937-BE](#) [ADAM-3950-AE](#) [ADAM-3951-BE](#) [ADAM-3968-AE](#)