

Distributed I/O device - FLM DIO 8/4 M8 - 2773351

Please be informed that the data shown in this PDF Document is generated from our Online Catalog. Please find the complete data in the user's documentation. Our General Terms of Use for Downloads are valid (<http://phoenixcontact.com/download>)



The space-saving local bus device is particularly suitable for use in close proximity to the process. Functions: 4 digital inputs, 4 digital I/Os of 500 mA, maximum, channel-specific diagnostics, short-circuit/overload protection, M8 connection method.

Product Description

The device is designed for use in the Fieldline Modular M8 local bus, which is opened by a Fieldline or Inline bus coupler. It is used to acquire and output digital signals.

Your advantages

- Can also be connected to an Inline station
- Optimized for 30 mm mounting profile
- Diagnostic and status indicators
- Short-circuit and overload protection
- Consistent connection via M8 connectors



Key Commercial Data

| | |
|--------------|---------------|
| Packing unit | 1 pc |
| GTIN | |
| GTIN | 4046356181686 |

Technical data

Note

| | |
|-------------------------|---|
| Utilization restriction | EMC: class A product, see manufacturer's declaration in the download area |
|-------------------------|---|

Dimensions

| | |
|--------------------|-----------------------------------|
| Caption | Side view (dimensions in mm) |
| Width | 29.8 mm |
| Height | 143 mm |
| Depth | 26.5 mm |
| Note on dimensions | Length details incl. fixing clips |
| Drill hole spacing | 133 mm |

Distributed I/O device - FLM DIO 8/4 M8 - 2773351

Technical data

Ambient conditions

| | |
|--|---|
| Ambient temperature (operation) | -25 °C ... 60 °C |
| Ambient temperature (storage/transport) | -25 °C ... 85 °C |
| Permissible humidity (operation) | 5 % ... 95 % |
| Permissible humidity (storage/transport) | 10 % ... 95 % |
| Air pressure (operation) | 80 kPa ... 106 kPa (up to 2000 m above sea level) |
| Air pressure (storage/transport) | 70 kPa ... 106 kPa (up to 3000 m above sea level) |
| Degree of protection | IP65/IP67 |

General

| | |
|---------------|---------------|
| Mounting type | Wall mounting |
| Color | black |
| Net weight | 144 g |

Interfaces

| | |
|------------------------------|---------------------|
| Designation | Fieldline local bus |
| Connection method | M8 connector |
| Designation connection point | Copper cable |
| Transmission speed | 500 kbps |
| Number of positions | 4 |

Power supply for module electronics

| | |
|----------------------|--|
| Connection method | M8 connector |
| Designation | U_L |
| Number of positions | 4 |
| Supply voltage | 24 V DC |
| Supply voltage range | 18 V DC ... 30 V DC (including ripple) |
| Supply current | 3 A |

Fieldline potentials

| | |
|----------------------|---------|
| Voltage supply U_L | 24 V DC |
|----------------------|---------|

Digital inputs

| | |
|--------------------------------|----------------------------------|
| Input name | Digital inputs |
| Description of the input | IEC 61131-2 type 1 |
| Connection method | M8 connector |
| Connection technology | 2, 3-wire |
| Number of inputs | 8 (4 fixed, 4 freely selectable) |
| Protective circuit | Reverse polarity protection |
| Nominal input voltage U_{IN} | 24 V DC |
| Filter time | 3 ms |
| Input voltage | 24 V DC |
| Input voltage range "0" signal | -30 V DC ... 5 V DC |
| Input voltage range "1" signal | 13 V DC ... 30 V DC |

Distributed I/O device - FLM DIO 8/4 M8 - 2773351

Technical data

Digital outputs

| | |
|------------------------------------|----------------------------------|
| Output name | Digital outputs |
| Connection method | M8 connector |
| Connection technology | 2, 3-wire |
| Number of outputs | 4 (Can also be used as an input) |
| Protective circuit | Short-circuit protection |
| Output voltage | 24 V DC |
| Maximum output current per channel | 500 mA |

Electrical isolation

| | |
|--------------|-----------------|
| Test section | To I/O 500 V AC |
|--------------|-----------------|

Standards and Regulations

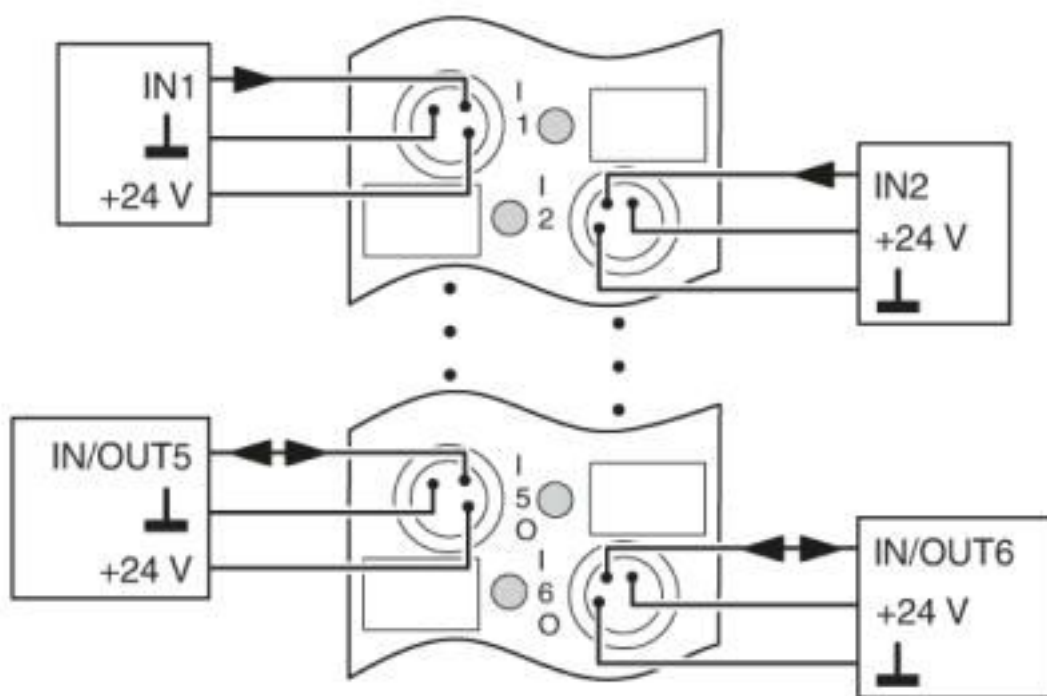
| | |
|----------------------------------|---------------------------------------|
| Connection in acc. with standard | CUL |
| Protection class | III (IEC 61140, EN 61140, VDE 0140-1) |

Environmental Product Compliance

| | |
|------------|---|
| REACH SVHC | Lead 7439-92-1 |
| China RoHS | Environmentally Friendly Use Period = 50 years |
| | For details about hazardous substances go to tab "Downloads", Category "Manufacturer's declaration" |

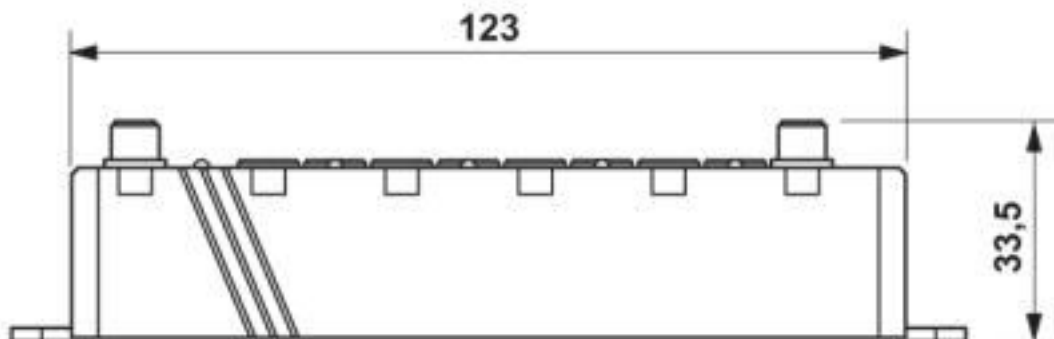
Drawings

Connection diagram



Distributed I/O device - FLM DIO 8/4 M8 - 2773351

Dimensional drawing



Side view (dimensions in mm)

Classifications

eCl@ss

| | |
|---------------|----------|
| eCl@ss 10.0.1 | 27242604 |
| eCl@ss 4.0 | 27250300 |
| eCl@ss 4.1 | 27250300 |
| eCl@ss 5.0 | 27250300 |
| eCl@ss 5.1 | 27242600 |
| eCl@ss 6.0 | 27242600 |
| eCl@ss 7.0 | 27242604 |
| eCl@ss 8.0 | 27242604 |
| eCl@ss 9.0 | 27242604 |

ETIM

| | |
|----------|----------|
| ETIM 2.0 | EC001430 |
| ETIM 3.0 | EC001599 |
| ETIM 4.0 | EC001599 |
| ETIM 5.0 | EC001599 |
| ETIM 6.0 | EC001599 |
| ETIM 7.0 | EC001599 |

UNSPSC

| | |
|---------------|----------|
| UNSPSC 6.01 | 43172015 |
| UNSPSC 7.0901 | 43201404 |
| UNSPSC 11 | 43172015 |
| UNSPSC 12.01 | 43201404 |
| UNSPSC 13.2 | 32151602 |
| UNSPSC 18.0 | 32151602 |
| UNSPSC 19.0 | 32151602 |
| UNSPSC 20.0 | 32151602 |
| UNSPSC 21.0 | 32151602 |

Distributed I/O device - FLM DIO 8/4 M8 - 2773351

Approvals

Approvals

Approvals

UL Recognized / cUL Recognized / cULus Recognized

Ex Approvals

UL Recognized / cUL Recognized / cULus Recognized

Approval details

| | | | |
|---------------|--|---|---------------|
| UL Recognized | | http://database.ul.com/cgi-bin/XYV/template/LISEXT/1FRAME/index.htm | FILE E 140324 |
|---------------|--|---|---------------|

| | | | |
|----------------|--|---|---------------|
| cUL Recognized | | http://database.ul.com/cgi-bin/XYV/template/LISEXT/1FRAME/index.htm | FILE E 140324 |
|----------------|--|---|---------------|

| | | | |
|------------------|--|--|--|
| cULus Recognized | | | |
|------------------|--|--|--|

Accessories

Accessories

Adapter

Adapter - FLM ADAP M12/M8 - 2736961



Adapter for connecting Fieldline Modular M8 devices to a Fieldline Modular M12 local bus

Circular connector (cable-side)

Connector - SACC-M 8MS-4CON-M-0,34-SH - 1542897



Connector, Universal, 4-position, shielded, Plug straight M8, Coding: A, Screw connection, knurl material: Nickel-plated brass, external cable diameter 3.5 mm ... 5.5 mm

Distributed I/O device - FLM DIO 8/4 M8 - 2773351

Accessories

Connector - SACC-M 8FS-4CON-M-0,34-SH - 1542910



Connector, Universal, 4-position, shielded, Socket straight M8, Coding: A, Screw connection, knurl material: Nickel-plated brass, external cable diameter 3.5 mm ... 5.5 mm

Connector - SACC-M 8FS-4PCON - 1506781



Connector, Universal, 4-position, Socket straight M8, Coding: A, Piercecon® fast connection, knurl material: Nickel-plated brass, external cable diameter 3 mm ... 5 mm

Data cable by the meter

Bus system cable - SAC-4P-950/... - 1543401



Bus system cable, INTERBUS, 4-position, PUR halogen-free, black RAL 9005, shielded, free cable end, on free cable end, cable length: Free entry (0.5 ... 400 m)

Data cable preassembled

Bus system cable - SAC-4P-M 8MS/ 2,0-950 - 1543249



Bus system cable, INTERBUS, 4-position, PUR halogen-free, black RAL 9005, shielded, Plug straight M8, on free cable end, cable length: 2 m

Bus system cable - SAC-4P-M 8MS/ 5,0-950 - 1543252



Bus system cable, INTERBUS, 4-position, PUR halogen-free, black RAL 9005, shielded, Plug straight M8, on free cable end, cable length: 5 m

Distributed I/O device - FLM DIO 8/4 M8 - 2773351

Accessories

Bus system cable - SAC-4P-M 8MS/10,0-950 - 1543265



Bus system cable, INTERBUS, 4-position, PUR halogen-free, black RAL 9005, shielded, Plug straight M8, on free cable end, cable length: 10 m

Bus system cable - SAC-4P-M 8MS/15,0-950 - 1543278



Bus system cable, INTERBUS, 4-position, PUR halogen-free, black RAL 9005, shielded, Plug straight M8, on free cable end, cable length: 15 m

Bus system cable - SAC-4P-M 8MS/20,0-950 - 1543281



Bus system cable, INTERBUS, 4-position, PUR halogen-free, black RAL 9005, shielded, Plug straight M8, on free cable end, cable length: 20 m

Bus system cable - SAC-4P- 2,0-950/M 8FS - 1543294



Bus system cable, INTERBUS, 4-position, PUR halogen-free, black RAL 9005, shielded, free cable end, on Socket straight M8, cable length: 2 m

Bus system cable - SAC-4P- 5,0-950/M 8FS - 1543304



Bus system cable, INTERBUS, 4-position, PUR halogen-free, black RAL 9005, shielded, free cable end, on Socket straight M8, cable length: 5 m

Distributed I/O device - FLM DIO 8/4 M8 - 2773351

Accessories

Bus system cable - SAC-4P-10,0-950/M 8FS - 1543317



Bus system cable, INTERBUS, 4-position, PUR halogen-free, black RAL 9005, shielded, free cable end, on Socket straight M8, cable length: 10 m

Bus system cable - SAC-4P-15,0-950/M 8FS - 1543320



Bus system cable, INTERBUS, 4-position, PUR halogen-free, black RAL 9005, shielded, free cable end, on Socket straight M8, cable length: 15 m

Bus system cable - SAC-4P-20,0-950/M 8FS - 1543333



Bus system cable, INTERBUS, 4-position, PUR halogen-free, black RAL 9005, shielded, free cable end, on Socket straight M8, cable length: 20 m

Bus system cable - SAC-4P-M 8MS/ 0,13-950/M 8FS - 1543346



Bus system cable, INTERBUS, 4-position, PUR halogen-free, black RAL 9005, shielded, Plug straight M8, on Socket straight M8, cable length: 0.13 m

Bus system cable - SAC-4P-M 8MS/ 0,3-950/M 8FS - 1543511



Bus system cable, INTERBUS, 4-position, PUR halogen-free, black RAL 9005, shielded, Plug straight M8, on Socket straight M8, cable length: 0.3 m

Distributed I/O device - FLM DIO 8/4 M8 - 2773351

Accessories

Bus system cable - SAC-4P-M 8MS/ 0,5-950/M 8FS - 1543524



Bus system cable, INTERBUS, 4-position, PUR halogen-free, black RAL 9005, shielded, Plug straight M8, on Socket straight M8, cable length: 0.5 m

Bus system cable - SAC-4P-M 8MS/ 1,0-950/M 8FS - 1543537



Bus system cable, INTERBUS, 4-position, PUR halogen-free, black RAL 9005, shielded, Plug straight M8, on Socket straight M8, cable length: 1 m

Bus system cable - SAC-4P-M 8MS/ 2,0-950/M 8FS - 1543359



Bus system cable, INTERBUS, 4-position, PUR halogen-free, black RAL 9005, shielded, Plug straight M8, on Socket straight M8, cable length: 2 m

Bus system cable - SAC-4P-M 8MS/ 5,0-950/M 8FS - 1543362



Bus system cable, INTERBUS, 4-position, PUR halogen-free, black RAL 9005, shielded, Plug straight M8, on Socket straight M8, cable length: 5 m

Bus system cable - SAC-4P-M 8MS/10,0-950/M 8FS - 1543375



Bus system cable, INTERBUS, 4-position, PUR halogen-free, black RAL 9005, shielded, Plug straight M8, on Socket straight M8, cable length: 10 m

Distributed I/O device - FLM DIO 8/4 M8 - 2773351

Accessories

Bus system cable - SAC-4P-M 8MS/15,0-950/M 8FS - 1543388



Bus system cable, INTERBUS, 4-position, PUR halogen-free, black RAL 9005, shielded, Plug straight M8, on Socket straight M8, cable length: 15 m

Bus system cable - SAC-4P-M 8MS/20,0-950/M 8FS - 1543391



Bus system cable, INTERBUS, 4-position, PUR halogen-free, black RAL 9005, shielded, Plug straight M8, on Socket straight M8, cable length: 20 m

I/O component

Inline function terminal - IB IL 24 FLM-PAC - 2736903



Inline, Branch terminal, for extending the Inline local bus to Inline or Fieldline Modular, transmission speed in the local bus: 500 kbps / 2 Mbps, degree of protection: IP20, including Inline connector and labeling field

Plug for cable screw gland

Screw plug - PROT-M8 - 1682540



An M8 screw plug for the unoccupied M8 sockets of the sensor/actuator cable, boxes and flush-type connectors

Sensor/actuator cable

Sensor/actuator cable - SAC-4P- 2,0-PUR/M 8FS 0,34 - 1543582



Sensor/actuator cable, 4-position, PUR halogen-free, black-gray RAL 7021, free cable end, on Socket straight M8, cable length: 2 m

Distributed I/O device - FLM DIO 8/4 M8 - 2773351

Accessories

Sensor/actuator cable - SAC-4P- 5,0-PUR/M 8FS 0,34 - 1534818



Sensor/actuator cable, 4-position, PUR halogen-free, black-gray RAL 7021, free cable end, on Socket straight M8, cable length: 5 m

Sensor/actuator cable - SAC-4P-10,0-PUR/M 8FS 0,34 - 1543595



Sensor/actuator cable, 4-position, PUR halogen-free, black-gray RAL 7021, free cable end, on Socket straight M8, cable length: 10 m

Sensor/actuator cable - SAC-4P-15,0-PUR/M 8FS 0,34 - 1543605



Sensor/actuator cable, 4-position, PUR halogen-free, black-gray RAL 7021, free cable end, on Socket straight M8, cable length: 15 m

Sensor/actuator cable - SAC-4P-20,0-PUR/M 8FS 0,34 - 1543618



Sensor/actuator cable, 4-position, PUR halogen-free, black-gray RAL 7021, free cable end, on Socket straight M8, cable length: 20 m

Sensor/actuator cable - SAC-4P-M 8FS/.../... - 1697771



Sensor/actuator cable, 4-position, Variable cable type, free cable end, on Socket straight M8, cable length: Free input (0.2 ... 40.0 m)

Terminal marking

Distributed I/O device - FLM DIO 8/4 M8 - 2773351

Accessories

Zack Marker strip, flat - ZBF 8:UNBEDRUCKT - 0808781



Zack Marker strip, flat, Strip, white, unlabeled, can be labeled with: PLOTMARK, CMS-P1-PLOTTER, mounting type: snap into flat marker groove, for terminal block width: 8 mm, lettering field size: 5.15 x 8.15 mm, Number of individual labels: 10

Phoenix Contact 2020 © - all rights reserved
<http://www.phoenixcontact.com>

PHOENIX CONTACT GmbH & Co. KG
Flachsmarktstr. 8
32825 Blomberg
Germany
Tel. +49 5235 300
Fax +49 5235 3 41200
<http://www.phoenixcontact.com>

X-ON Electronics

Largest Supplier of Electrical and Electronic Components

Click to view similar products for [I/O Connectors](#) category:

Click to view products by [Phoenix Contact](#) manufacturer:

Other Similar products are found below :

[571763P](#) [58098-0628](#) [72.250.1628.2](#) [72.250.2428.2](#) [74720-0505](#) [76.350.0729.0](#) [76871-1403](#) [FCN-244F080-G/1](#) [FCN-260A9920](#) [PCR-E36PM](#) [PCS-XE26MA+](#) [G38A71314B](#) [1571250010](#) [157-22500-3](#) [MS3471L14-19P L/C](#) [192991-0703](#) [172501-4002](#) [172501-6002](#) [FCN-260C008-A/L0](#) [FCN-260C024-AL0](#) [FCN-261Z008](#) [2000314-1](#) [200331-1](#) [PCR-E36FC+](#) [PCS-E28FS+](#) [PCS-XE26SLFD+](#) [PCS-XE26SLFDT+](#) [G730VID08BDC24](#) [U90B2054081210](#) [38113800006](#) [DP3AR020WQ1R200](#) [Z4.102.0680.0](#) [500-1040](#) [500-1052](#) [500-1054](#) [ZP-4008-66L](#) [0709821002](#) [DX40-20P\(55\)](#) [5554841-1](#) [MS3474W18-8P-LC*](#) [SM3106F14S-7S-LC](#) [U90B3054061110](#) [U65-E04-4020](#) [ZPF00000000097891](#) [747360449](#) [10099439-003C-TRLF](#) [10137239-0021LF](#) [E9320-001-01](#) [10137239-0011LF](#) [70289-001LF](#)