

## Distributed I/O device - RL PN 24-2 DI 16 2TX - 2773665

Please be informed that the data shown in this PDF Document is generated from our Online Catalog. Please find the complete data in the user's documentation. Our General Terms of Use for Downloads are valid (<http://phoenixcontact.com/download>)



Digital input device for PROFINET, 100Base-TX, fast startup, supported protocols: SNMPv2, TFTP, LLDP and PDev for topology detection, 16 inputs (24 V DC), VARIOSUB push/pull connection method, rugged metal housing, degree of protection IP67

### Your advantages

- Rugged metal housing
- Comprehensive diagnostic functions
- Push/pull connector for supply voltage
- M12 connector for I/O devices
- Push/pull connector for PROFINET, either with fiber optic or twisted pair



### Key Commercial Data

Packing unit	1 pc
GTIN	
GTIN	4046356435987

### Technical data

#### Note

Utilization restriction	EMC: class A product, see manufacturer's declaration in the download area
-------------------------	---

#### Dimensions

Width	182.5 mm
Height	71.5 mm
Depth	79.8 mm
Note on dimensions	Without connector, with mounting plate

#### Ambient conditions

Ambient temperature (operation)	-20 °C ... 55 °C
Ambient temperature (storage/transport)	-25 °C ... 85 °C
Permissible humidity (operation)	100 %

# Distributed I/O device - RL PN 24-2 DI 16 2TX - 2773665

## Technical data

### Ambient conditions

Permissible humidity (storage/transport)	95 % (non-condensing)
Air pressure (operation)	860 hPa ... 1080 hPa (up to 1500 m above sea level)
Air pressure (storage/transport)	660 hPa ... 1080 hPa (up to 3500 m above sea level)
Degree of protection	IP65/IP67
Note	Seal unused slots/connections to ensure the degree of protection.

### General

Mounting type	Wall mounting
Net weight	1180 g
Note on weight specifications	without plug or mounting plate
Note	Seal unused slots/connections to ensure the degree of protection.

### Interfaces

Designation	PROFINET
No. of channels	2
Connection method	VARIOSUB push-pull connectors
Designation connection point	Copper cable
Transmission speed	10/100 Mbps (auto negotiation)
Transmission physics	Twisted pair connection
Number of positions	4

### Power supply for module electronics

Connection method	VARIOSUB push-pull connectors
Designation	US1
Supply voltage	24 V DC
Supply voltage range	18.5 V DC ... 30 V DC (including ripple)
Ripple	Max 3.6 V <sub>SS</sub> within the permissible voltage range

### Digital inputs

Input name	Digital inputs
Description of the input	IEC 61131-2 type 1
Connection method	M12 connector
Connection technology	2, 3, 4-wire
Number of inputs	16
Protective circuit	Electronic short-circuit/overload protection for each group Reverse polarity protection
Nominal input voltage U <sub>IN</sub>	24 V DC

### Electrical isolation

Test section	Between bus logic and outputs 500 V AC 50 Hz 1 min.
--------------	---

### Standards and Regulations

Protection class	III (IEC 61140, EN 61140, VDE 0140-1)
------------------	---------------------------------------

### Environmental Product Compliance

# Distributed I/O device - RL PN 24-2 DI 16 2TX - 2773665

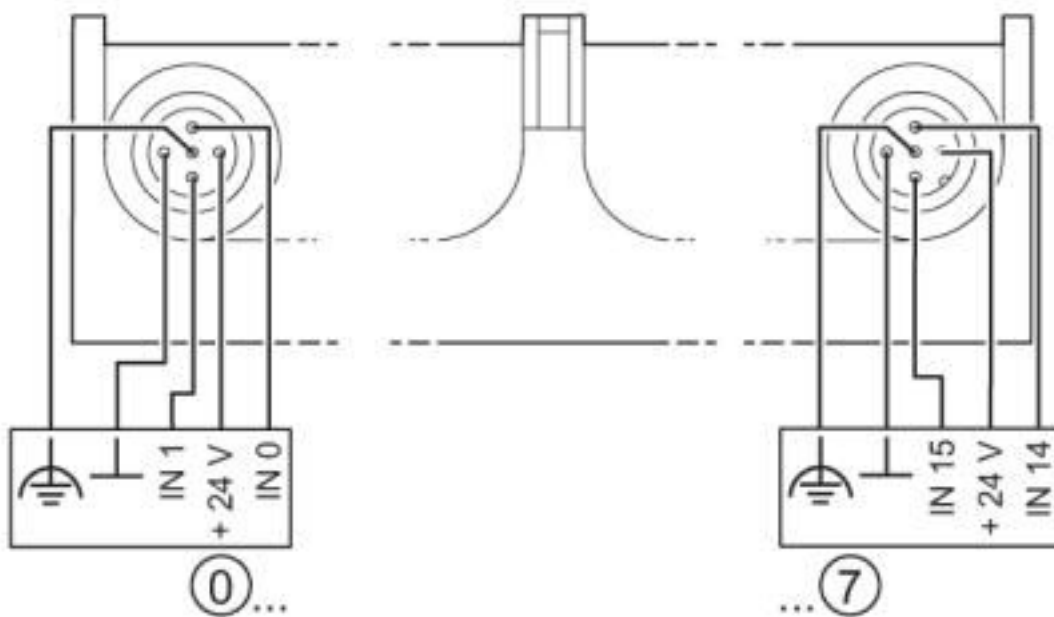
## Technical data

### Environmental Product Compliance

REACH SVHC	Lead 7439-92-1
China RoHS	Environmentally Friendly Use Period = 50 years
	For details about hazardous substances go to tab "Downloads", Category "Manufacturer's declaration"

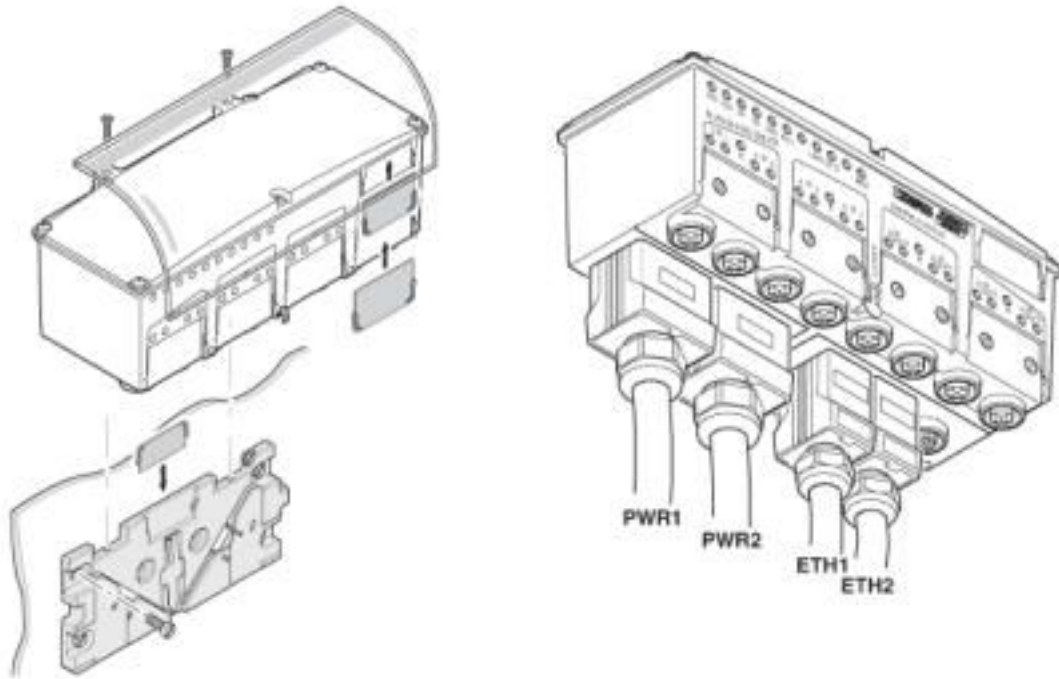
## Drawings

Connection diagram



# Distributed I/O device - RL PN 24-2 DI 16 2TX - 2773665

Functional drawing



## Classifications

### eCl@ss

eCl@ss 10.0.1	27242604
eCl@ss 4.0	27250300
eCl@ss 4.1	27250300
eCl@ss 5.0	27250300
eCl@ss 5.1	27242600
eCl@ss 6.0	27242600
eCl@ss 7.0	27242604
eCl@ss 8.0	27242604
eCl@ss 9.0	27242604

### ETIM

ETIM 2.0	EC001430
ETIM 3.0	EC001599
ETIM 4.0	EC001599
ETIM 5.0	EC001599
ETIM 6.0	EC001599
ETIM 7.0	EC001599

### UNSPSC

UNSPSC 6.01	43172015
-------------	----------

# Distributed I/O device - RL PN 24-2 DI 16 2TX - 2773665

## Classifications

### UNSPSC

UNSPSC 7.0901	43201404
UNSPSC 11	43172015
UNSPSC 12.01	43201404
UNSPSC 13.2	32151602
UNSPSC 18.0	32151602
UNSPSC 19.0	32151602
UNSPSC 20.0	32151602
UNSPSC 21.0	32151602

## Approvals

### Approvals

---

#### Approvals

UL Listed / cUL Listed / cULus Listed

---

#### Ex Approvals

---

### Approval details

UL Listed		<a href="http://database.ul.com/cgi-bin/XYV/template/LISEXT/1FRAME/index.htm">http://database.ul.com/cgi-bin/XYV/template/LISEXT/1FRAME/index.htm</a>	FILE E 140324
-----------	--	---	---------------

cUL Listed		<a href="http://database.ul.com/cgi-bin/XYV/template/LISEXT/1FRAME/index.htm">http://database.ul.com/cgi-bin/XYV/template/LISEXT/1FRAME/index.htm</a>	FILE E 140324
------------	--	---	---------------

cULus Listed			
--------------	--	--	--

## Accessories

### Accessories

### Assembly element

## Distributed I/O device - RL PN 24-2 DI 16 2TX - 2773665

### Accessories

Lower mounting part - IBS RL AP - 2731128



Mounting plate for Ruggedline devices

---

### Cable by the meter

Cable - IBS PWR/5HD/F - 2731775



Power supply cable, gray, welding-splash-resistant in standard applications, 5 x 1.5 mm<sup>2</sup>, highly flexible, sold by the meter

---

Cable - IBS PWR/5 - 2820000



Power supply cable, gray, welding-splash-resistant in standard applications, 5 x 1.5 mm<sup>2</sup>, sold by the meter

---

### Circular connector (cable-side)

Connector - SACC-M12MS-4QO-0,75 - 1641769



Connector, Universal, 4-position, Plug straight M12, Coding: A, Insulation displacement connection, knurl material: Plastic, external cable diameter 4 mm ... 8 mm

---

### Configuration memory

Configuration memory - FL MEM PLUG - 2891259



Exchangeable configuration memory of the device settings for simple device exchange and set-up

---

### Data plug

## Distributed I/O device - RL PN 24-2 DI 16 2TX - 2773665

### Accessories

RJ45 connector - VS-PPC-C1-RJ45-MNNA-PG9-4Q5-B - 1405141



RJ45 connector, IP67, with push-pull interlocking, metal housing, CAT5e, 4-pos., with QUICKON fast connection technology, for 1-wire and 7-wire conductors AWG 26 ... 22, for cable cross section 5.0 mm ... 8.0 mm

---

### Labeling panel

Marking label - IBS RL MARKER-SET - 2732729



Set of 50 small and 50 large metal marking labels

---

Marking label - IBS RL MARKER-G-SET - 2734727



100 large metal marking labels

---

Marking label - IBS RL MARKER-K-SET - 2734730



100 small metal marking labels

---

### Protective cover

Protective covers - VS-PPC-C1-PC67-MNNA - 1608142



Protective cover, IP67, metal version, to cover the contact insert in the RJ45 and SC-RJ push-pull panel mounting frames

---

### Y-distributor

## Distributed I/O device - RL PN 24-2 DI 16 2TX - 2773665

### Accessories

Y distributor - SAC-3P-M12Y/2XM12FS PE - 1683455



Y distributor, 4-position, unshielded, Plug straight M12, coding: A, on Socket straight M12, coding: A and Socket straight M12, coding: A

---

Phoenix Contact 2020 © - all rights reserved  
<http://www.phoenixcontact.com>

PHOENIX CONTACT GmbH & Co. KG  
Flachsmarktstr. 8  
32825 Blomberg  
Germany  
Tel. +49 5235 300  
Fax +49 5235 3 41200  
<http://www.phoenixcontact.com>



## X-ON Electronics

Largest Supplier of Electrical and Electronic Components

*Click to view similar products for [Interface Modules](#) category:*

*Click to view products by [Phoenix Contact](#) manufacturer:*

Other Similar products are found below :

[8500-003](#) [IFD8520](#) [cPCI-3544](#) [422CON](#) [ATX6022/14GP7](#) [ATX6022/8](#) [AX93221-24/48](#) [FC6A-EXM2](#) [OPT8AP-AE](#) [96RMKVM-19V1C-A](#)  
[60016-011](#) [60016-014](#) [60006-008](#) [60011-075](#) [HPCI-14S12U](#) [cBP-3208](#) [cBP-3062A](#) [FAB205-6P5](#) [ATX6022/6](#) [60016-012](#) [96RMKVM-](#)  
[17V1C-A](#) [PCE-DP10-00A1E](#) [MOS-1120Y-0201E](#) [96RMLCD-17V1-A](#) [96RMKVM-17V8C-A](#) [60004-005](#) [60016-017](#) [60006-009](#) [60016-035](#)  
[60016-034](#) [60016-031](#) [60016-030](#) [60016-026](#) [60016-024](#) [60016-018](#) [60016-007](#) [60016-005](#) [60007-002](#) [60006-010](#) [AXX10GBTWLHW3](#)  
[382-BBEH](#) [555-BDCL](#) [K6CMISZBI52](#) [426451401-3](#) [60011-093](#) [MIC-3620/3-BE](#) [MPCIE-UART-KIT02-R20](#) [RSM232](#) [PCIE-1680-AE](#) [BB-](#)  
[FOSTCDRI](#)