

Surge protection device - C-UFB-24DC/E - 2782313

Please be informed that the data shown in this PDF Document is generated from our Online Catalog. Please find the complete data in the user's documentation. Our General Terms of Use for Downloads are valid (<http://phoenixcontact.com/download>)




Attachment plug with surge voltage coarse and fine protection, for coaxial signal interfaces with floating shield, signal voltage 24 V. Connection: BNC socket/plug

Your advantages

- Ground connection via separately led cable
- For insertion in the cable



Key Commercial Data

Packing unit	10 pc
GTIN	 4 017918 069452
GTIN	4017918069452

Technical data

Dimensions

Height	93 mm
Width	25.4 mm
Length	25.4 mm

Ambient conditions

Ambient temperature (operation)	-40 °C ... 80 °C
Degree of protection	IP20

General

Housing material	Aluminum
Color	black
Standards for clearances and creepage distances	VDE 0110-1
	IEC 60664-1
Mounting type	Connection-specific intermediate plugging
Type	Attachment plug

Surge protection device - C-UFB-24DC/E - 2782313

Technical data

General

Direction of action	Line-Shield/Earth Ground
---------------------	--------------------------

Protective circuit

IEC test classification	C2
	C3
	D1
Maximum continuous voltage U_C	30 V DC
Rated current	185 mA (25 °C)
Operating effective current I_C at U_C	$\leq 10 \mu\text{A}$
Residual current I_{PE}	$\leq 2 \mu\text{A}$
Nominal discharge current I_n (8/20) μs (line-earth)	10 kA
Nominal discharge current I_n (8/20) μs (line-shield)	10 kA
Total discharge current I_{total} (8/20) μs	20 kA
Output voltage limitation at 1 kV/ μs (line-earth) spike	$\leq 500 \text{ V}$
Output voltage limitation at 1 kV/ μs (line-shield) spike	$\leq 70 \text{ V}$
Output voltage limitation at 1 kV/ μs (line-shield) static	$\leq 45 \text{ V}$
Residual voltage at I_n (line-earth)	$\leq 50 \text{ V}$ (10 cm cable)
Residual voltage at I_n (line-shield)	$\leq 43 \text{ V}$
Voltage protection level U_p (line-earth)	$\leq 500 \text{ V}$ (C1 - 1 kV/500 A)
	$\leq 500 \text{ V}$ (C3 - 10 A)
	$\leq 600 \text{ V}$ (C2 - 10 kV / 5 kA)
Voltage protection level U_p (line-shield)	$\leq 50 \text{ V}$ (C3 - 10 A)
	$\leq 70 \text{ V}$ (C1 - 1 kV/500 A)
	$\leq 120 \text{ V}$ (C2 - 10 kV / 5 kA)
Response time t_A (line-earth)	$\leq 100 \text{ ns}$
Response time t_A (line-shield)	$\leq 500 \text{ ns}$
Input attenuation aE, asym.	2 dB ($\leq 20 \text{ MHz}$)
Cut-off frequency f_g (3 dB), asym. (shield) in 50 Ohm system	typ. 90 MHz
Surge protection fault message	none
Impulse durability (line-earth)	C2 - 10 kV / 5 kA
	D1 - 2.5 kA

Connection data

Connection method	BNC 50 Ω
Connection method IN	BNC socket
Connection method OUT	BNC plug

Connection, equipotential bonding

Connection method	PVC litz wire
-------------------	---------------

Standards and Regulations

Standards/regulations	IEC 61643-21
-----------------------	--------------

Surge protection device - C-UFB-24DC/E - 2782313

Technical data

Standards and Regulations

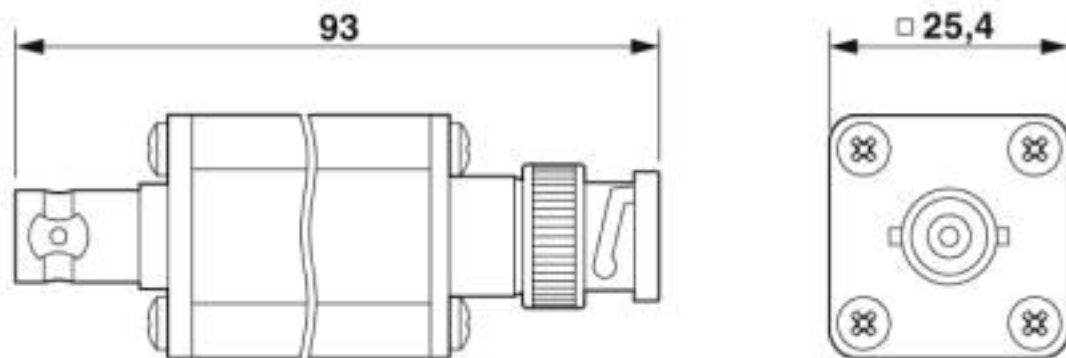
Standards/specifications	IEC 61643-21 2000
--------------------------	-------------------

Environmental Product Compliance

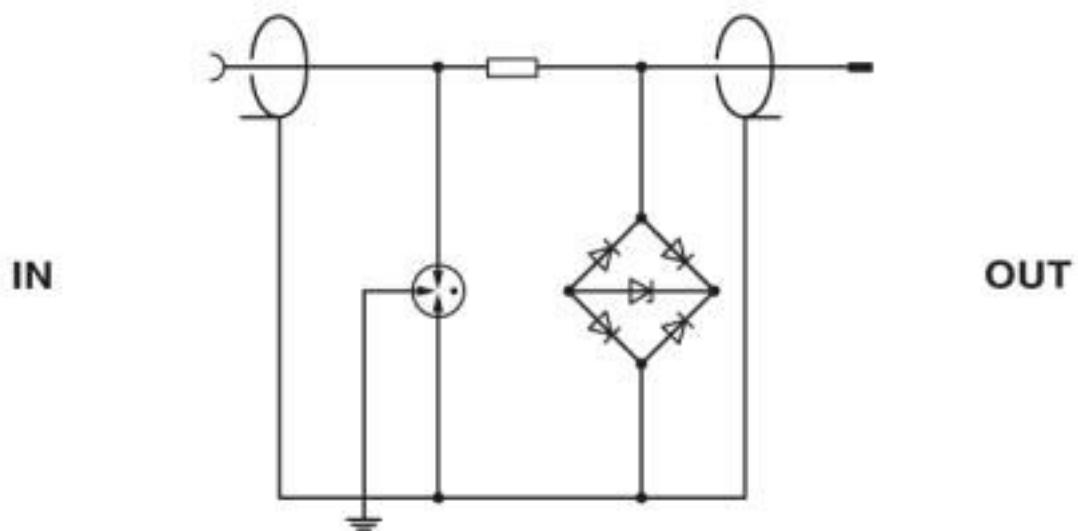
REACH SVHC	Lead 7439-92-1
China RoHS	Environmentally Friendly Use Period = 50 years
	For details about hazardous substances go to tab "Downloads", Category "Manufacturer's declaration"

Drawings

Dimensional drawing



Circuit diagram



Classifications

eCl@ss

eCl@ss 10.0.1	27130807
---------------	----------

Surge protection device - C-UFB-24DC/E - 2782313

Classifications

eCl@ss

eCl@ss 4.0	27130800
eCl@ss 4.1	27130800
eCl@ss 5.0	27130800
eCl@ss 5.1	27130800
eCl@ss 6.0	27130800
eCl@ss 7.0	27130807
eCl@ss 8.0	27130807
eCl@ss 9.0	27130807

ETIM

ETIM 2.0	EC000943
ETIM 3.0	EC000943
ETIM 4.0	EC000943
ETIM 5.0	EC000943
ETIM 6.0	EC000943
ETIM 7.0	EC000943

UNSPSC

UNSPSC 6.01	30212010
UNSPSC 7.0901	39121610
UNSPSC 11	39121610
UNSPSC 12.01	39121610
UNSPSC 13.2	39121620
UNSPSC 18.0	39121620
UNSPSC 19.0	39121620
UNSPSC 20.0	39121620
UNSPSC 21.0	39121620

Approvals

Approvals

Approvals

EAC

Ex Approvals

Approval details

Surge protection device - C-UFB-24DC/E - 2782313

Approvals

EAC



RU C-
DE.*09.B.00169

Accessories

Accessories

Flange coupling

Connector/Adapter - BNC-V 50 - 2805041



BNC connector, single-level, for mounting on NS 32 or NS 35/7.5, wave impedance: 50 Ohm

Connector/Adapter - BNC-DV 50 - 2805038



BNC connector, double-level, for mounting on NS 32 or NS 35/7.5, wave impedance: 50 Ohm

Phoenix Contact 2020 © - all rights reserved
<http://www.phoenixcontact.com>

PHOENIX CONTACT GmbH & Co. KG
Flachsmarktstr. 8
32825 Blomberg
Germany
Tel. +49 5235 300
Fax +49 5235 3 41200
<http://www.phoenixcontact.com>

X-ON Electronics

Largest Supplier of Electrical and Electronic Components

Click to view similar products for [RF Adapters - In Series](#) category:

Click to view products by [Phoenix Contact](#) manufacturer:

Other Similar products are found below :

[5916-1103-603](#) [5918-1103-000](#) [5919-1503-000](#) [651A505](#) [82-5552](#) [9030-9523-502](#) [A0407000](#) [R114703000W](#) [R125704000](#) [R125771001](#)
[R141710000W](#) [R141723161](#) [R141730000](#) [R143730700](#) [R143770000](#) [R161703000W](#) [R161753000W](#) [R161791530W](#) [R201705000](#)
[R222705200](#) [R222M40010W](#) [R316754000](#) [R405006000](#) [R443162000](#) [AD78TL](#) [HRM-513S](#) [1996352-2](#) [2157155-1](#) [252169-75](#) [AD158](#)
[2101130-1](#) [252186](#) [R114704000W](#) [R114720000W](#) [R125705001](#) [R125705701](#) [R125771000](#) [R125771001W](#) [R125791501W](#) [R127704001](#)
[R127.870.001](#) [R127872001](#) [R141717000](#) [R142710000](#) [R142723000](#) [R143703000](#) [R143704000](#) [R143705700](#) [R161715000W](#) [R161771000W](#)