

EMC filter - NEF 1- 6 - 2783082

Please be informed that the data shown in this PDF Document is generated from our Online Catalog. Please find the complete data in the user's documentation. Our General Terms of Use for Downloads are valid (<http://phoenixcontact.com/download>)



Mains interference filter, with universal foot for mounting on NS 32 and NS 35/7.5, nominal current: 6 A

Your advantages

- For single-phase circuits
- DIN rail module



Key Commercial Data

Packing unit	5 pc
GTIN	
GTIN	4017918069803

Technical data

Dimensions

Height	79.4 mm
Width	40 mm
Depth	90.2 mm

Ambient conditions

Ambient temperature (operation)	-25 °C ... 100 °C (HMF)
Degree of protection	IP20

General

Housing material	PA
Flammability rating according to UL 94	V-2
Color	black
Standards for clearances and creepage distances	VDE 0110-1
Mounting type	DIN rail: 35 mm
Type	DIN rail module, one-piece

EMC filter - NEF 1- 6 - 2783082

Technical data

General

Number of positions	2
Direction of action	1L-N & N-PE

Protective circuit

Maximum continuous voltage U_C	264 V AC (L-N)
	264 V AC (L-PE)
Nominal frequency f_N	50 Hz (60 Hz)
Rated current	6 A (40 °C)
Operating effective current I_C at U_C	≤ 0.25 mA
Residual current I_{PE}	≤ 0.5 mA
Input attenuation aE, sym.	> 70 dB (50 Ω / 1 MHz)
Input attenuation aE, asym.	> 40 dB (50 Ω / 1 MHz)
Capacity	2x 470 nF (X2)
	2x 2.2 nF (Y2)
Inductivity in series	2x 2.7 mH (with current compensation)
Max. required back-up fuse	6.3 A (gL/C)

Connection data

Connection method	Screw connection
Connection method IN	Screw terminal blocks
Connection method OUT	Screw terminal blocks
Screw thread	M3
Tightening torque	0.8 Nm
Stripping length	8 mm
Conductor cross section flexible	0.2 mm ² ... 2.5 mm ²
Conductor cross section solid	0.2 mm ² ... 4 mm ²
Conductor cross section AWG	24 ... 12

Standards and Regulations

Standards/specifications	IEC 60939-2
	EN 60939-2
	IEC 60664-1

Protective circuit, filter

Discharge resistance	1 M Ω
----------------------	--------------

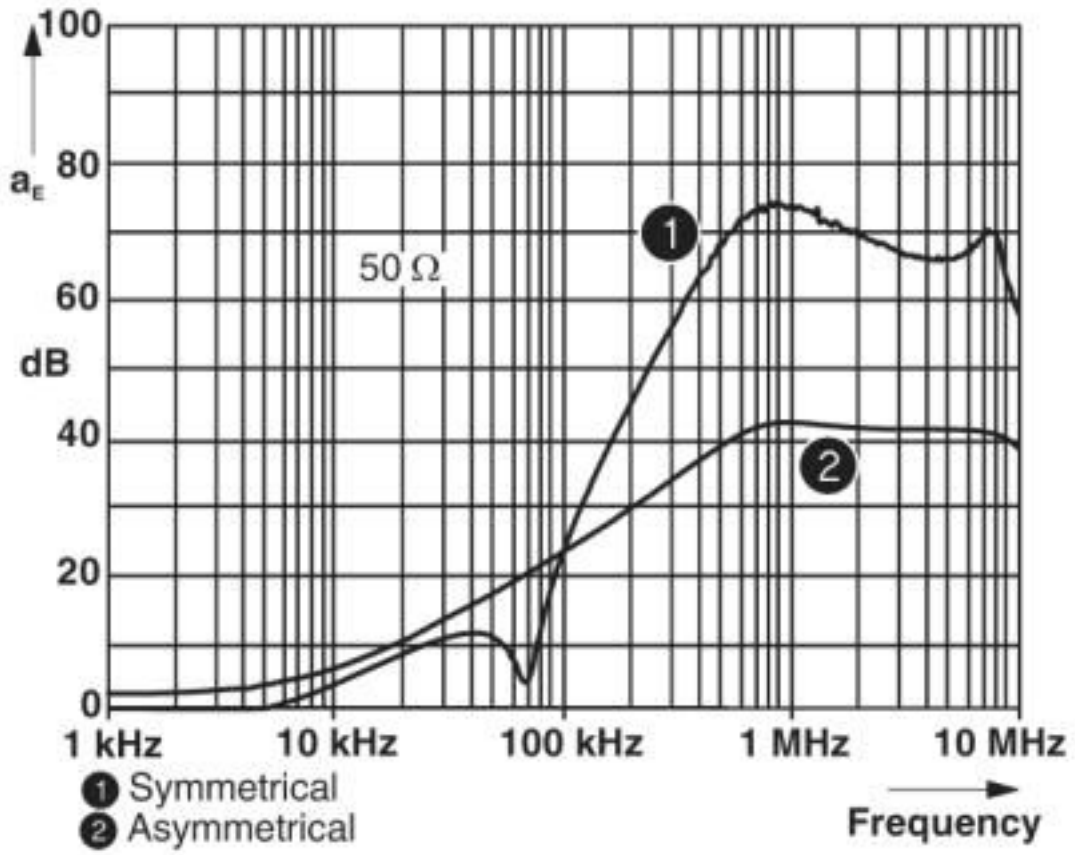
Environmental Product Compliance

REACH SVHC	Lead 7439-92-1
China RoHS	Environmentally Friendly Use Period = 50 years
	For details about hazardous substances go to tab "Downloads", Category "Manufacturer's declaration"

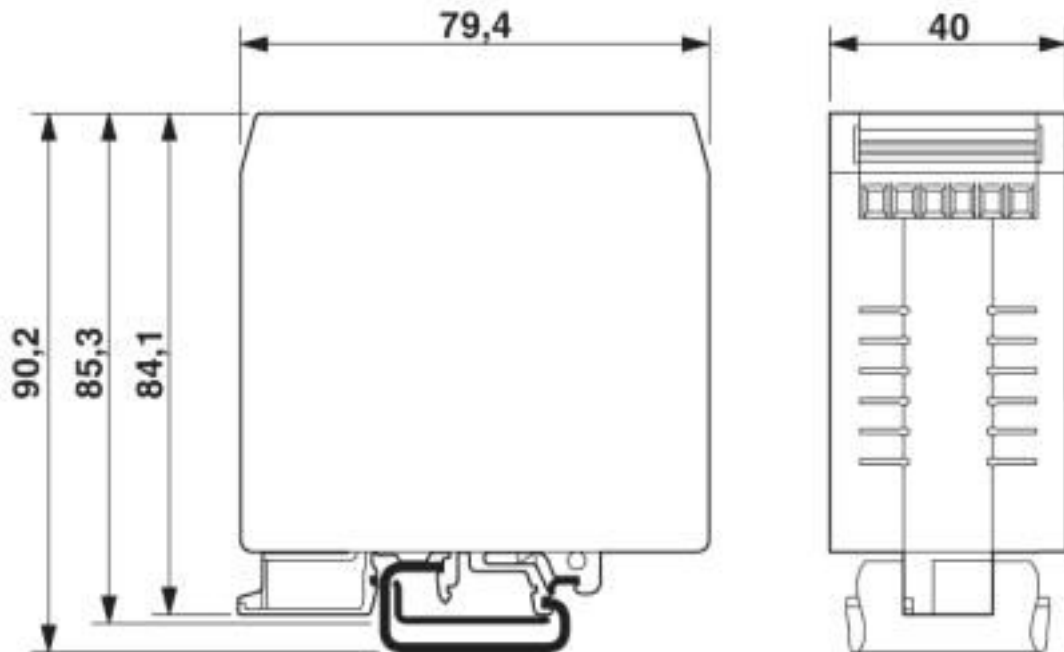
Drawings

EMC filter - NEF 1- 6 - 2783082

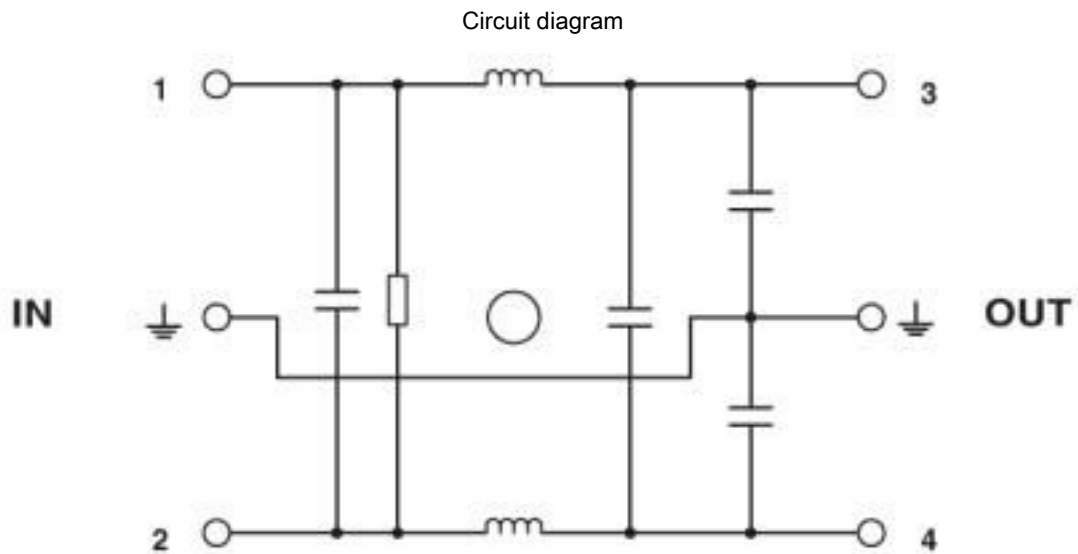
Diagram



Dimensional drawing



EMC filter - NEF 1- 6 - 2783082



Classifications

eCl@ss

eCl@ss 10.0.1	27130806
eCl@ss 4.0	27130800
eCl@ss 4.1	27130800
eCl@ss 5.0	27130800
eCl@ss 5.1	27130800
eCl@ss 6.0	27130800
eCl@ss 7.0	27130806
eCl@ss 8.0	27130806
eCl@ss 9.0	27130806

ETIM

ETIM 2.0	EC000942
ETIM 3.0	EC000942
ETIM 4.0	EC000942
ETIM 5.0	EC000942
ETIM 6.0	EC000942
ETIM 7.0	EC000942

UNSPSC

UNSPSC 6.01	30212010
UNSPSC 7.0901	39121610
UNSPSC 11	39121610
UNSPSC 12.01	39121610
UNSPSC 13.2	39121620
UNSPSC 18.0	39121620
UNSPSC 19.0	39121620

EMC filter - NEF 1- 6 - 2783082

Classifications

UNSPSC

UNSPSC 20.0	39121620
UNSPSC 21.0	39121620

Approvals

Approvals

Approvals

VDE Zeichengenehmigung / EAC / EAC / DNV GL / GL

Ex Approvals

Approval details

VDE Zeichengenehmigung		http://www2.vde.com/de/Institut/Online-Service/VDE-gepruefteProdukte/Seiten/Online-Suche.aspx	40008521
Nominal voltage UN		250 V	
Nominal current IN		6 A	
mm ² /AWG/kcmil		2.5	

EAC		EAC-Zulassung
-----	--	---------------

EAC		RU C-DE.*09.B.00169
-----	--	---------------------

DNV GL		https://approvalfinder.dnvgl.com/	TAA00002R5
--------	--	---	------------

GL		
----	--	--

Phoenix Contact 2020 © - all rights reserved
<http://www.phoenixcontact.com>

PHOENIX CONTACT GmbH & Co. KG
Flachmarktstr. 8
32825 Blomberg
Germany
Tel. +49 5235 300
Fax +49 5235 3 41200
<http://www.phoenixcontact.com>

X-ON Electronics

Largest Supplier of Electrical and Electronic Components

Click to view similar products for [DIN Rail Terminal Blocks](#) category:

Click to view products by [Phoenix Contact](#) manufacturer:

Other Similar products are found below :

[00110420202](#) [8WA1011-1BH23](#) [8WA1011-1EF20](#) [91.010](#) [9102100000](#) [91.040](#) [9123140000](#) [9123140001](#) [RBO 5-T-B-HEX](#) [1333564](#) [DP25-GY-ND](#) [1431306](#) [1433306](#) [90.070](#) [91.020](#) [912314](#) [260-301_NR](#) [2757571](#) [280-331](#) [280-560](#) [280-564](#) [281-611/281-542](#) [281-673/281-411](#) [281-994](#) [283-317](#) [283-607](#) [2909798](#) [264-724](#) [264-726](#) [280-530](#) [280-555](#) [280-619](#) [281-610](#) [281-622/281-417](#) [284-317](#) [284-601](#) [2907033](#) [3048496](#) [5542152](#) [35956](#) [USK 10](#) [102510](#) [1025100000](#) [5520682](#) [5607102](#) [EMH 25-ZE30](#) [591620-2](#) [UM 45-SEFE M.NUT BK](#) [1-591651-1](#) [8671050000](#)