

EMC filter - NEF 1-10 - 2788977

Please be informed that the data shown in this PDF Document is generated from our Online Catalog. Please find the complete data in the user's documentation. Our General Terms of Use for Downloads are valid (<http://phoenixcontact.com/download>)



Mains interference filter, with universal foot for mounting on NS 32 and NS 35/7.5, nominal current: 10 A

Your advantages

- DIN rail module
- For single-phase circuits



Key Commercial Data

| | |
|--------------|---------------|
| Packing unit | 5 pc |
| GTIN | |
| GTIN | 4017918072001 |

Technical data

Dimensions

| | |
|--------|---------|
| Height | 79.4 mm |
| Width | 40 mm |
| Depth | 84.1 mm |

Ambient conditions

| | |
|---------------------------------|-------------------------|
| Ambient temperature (operation) | -25 °C ... 100 °C (HMF) |
| Degree of protection | IP20 |

General

| | |
|---|-----------------|
| Housing material | PA |
| Flammability rating according to UL 94 | V-2 |
| Color | black |
| Standards for clearances and creepage distances | IEC 60664-1 |
| | VDE 0110-1 |
| Mounting type | DIN rail: 35 mm |

EMC filter - NEF 1-10 - 2788977

Technical data

General

| | |
|---------------------|----------------------------|
| Type | DIN rail module, one-piece |
| Number of positions | 2 |
| Direction of action | 1L-N & N-PE |

Protective circuit

| | |
|--|---------------------------------------|
| Maximum continuous voltage U_c | 264 V AC (L-N) |
| | 264 V AC (L-PE) |
| Nominal frequency f_N | 50 Hz (60 Hz) |
| Rated current | 10 A (40 °C) |
| Operating effective current I_c at U_c | ≤ 0.25 mA |
| Residual current I_{PE} | ≤ 0.5 mA |
| Input attenuation aE, sym. | > 80 dB (50 Ω / 1 MHz) |
| Input attenuation aE, asym. | > 40 dB (50 Ω / 1 MHz) |
| Capacity | 2x 470 nF (X2) |
| | 2x 2.2 nF (Y2) |
| Inductivity in series | 2x 1.8 mH (with current compensation) |
| Max. required back-up fuse | 10 A (gL) |

Connection data

| | |
|----------------------------------|---|
| Connection method | Screw connection |
| Connection method IN | Screw terminal blocks |
| Connection method OUT | Screw terminal blocks |
| Screw thread | M3 |
| Tightening torque | 0.8 Nm |
| Stripping length | 8 mm |
| Conductor cross section flexible | 0.2 mm ² ... 2.5 mm ² |
| Conductor cross section solid | 0.2 mm ² ... 4 mm ² |
| Conductor cross section AWG | 24 ... 12 |

Standards and Regulations

| | |
|--------------------------|-------------|
| Standards/specifications | IEC 60939-2 |
| | EN 60939-2 |

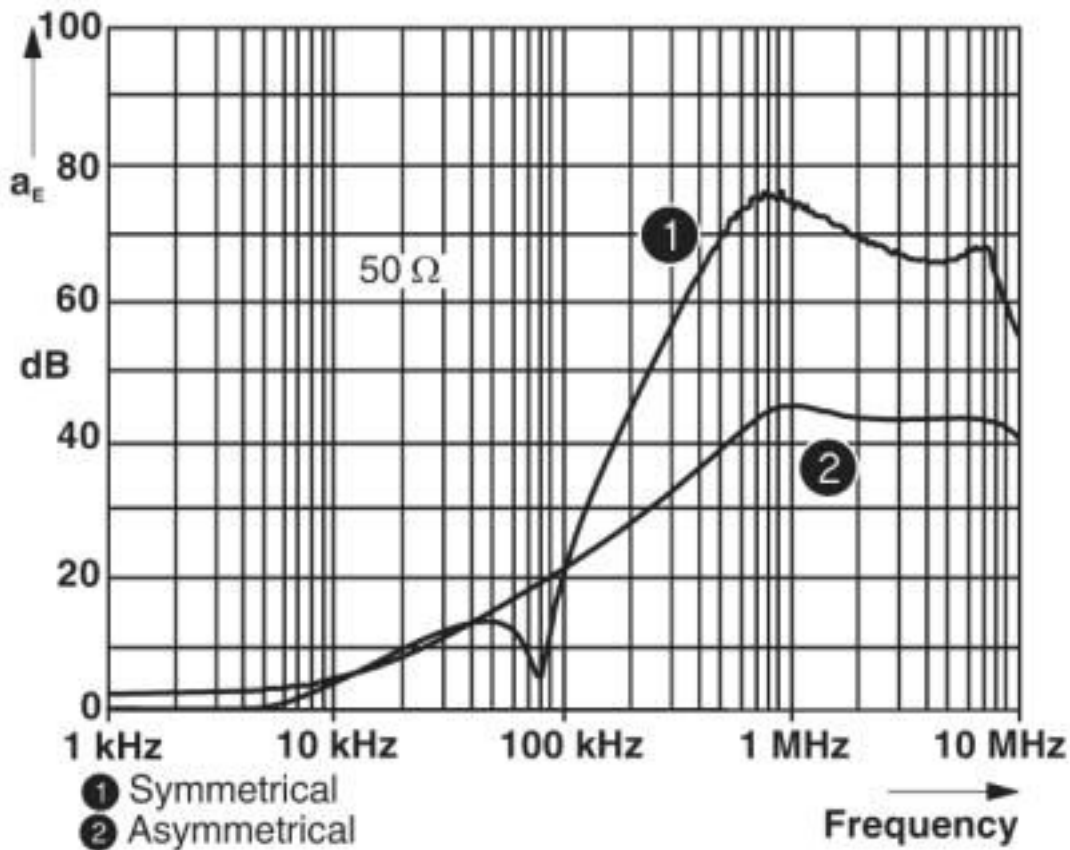
Environmental Product Compliance

| | |
|------------|---|
| REACH SVHC | Lead 7439-92-1 |
| China RoHS | Environmentally Friendly Use Period = 50 years |
| | For details about hazardous substances go to tab "Downloads", Category "Manufacturer's declaration" |

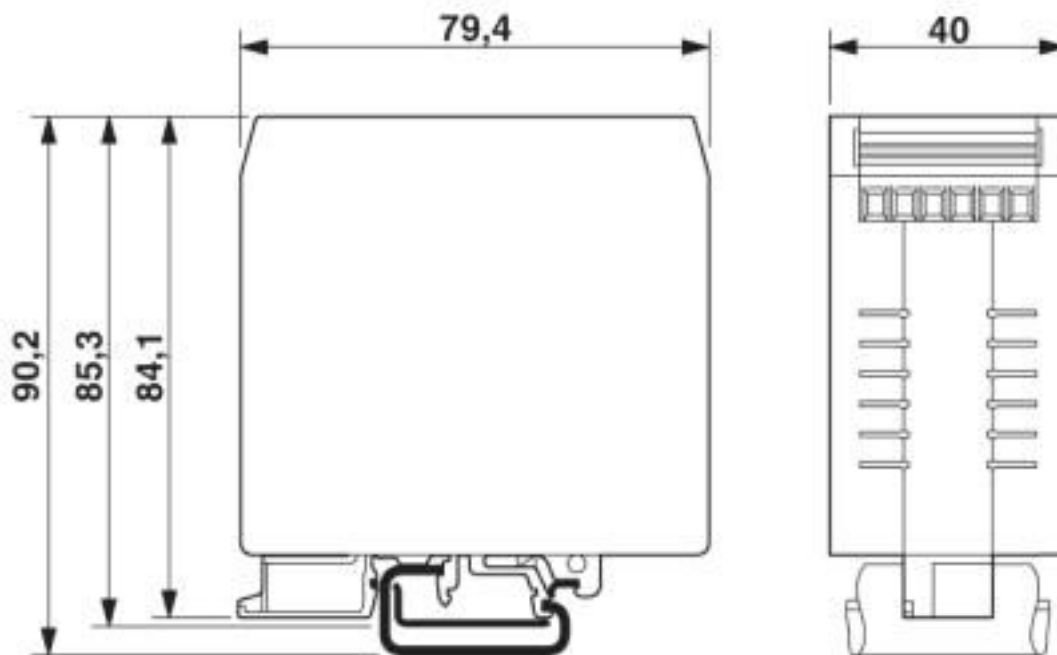
Drawings

EMC filter - NEF 1-10 - 2788977

Diagram

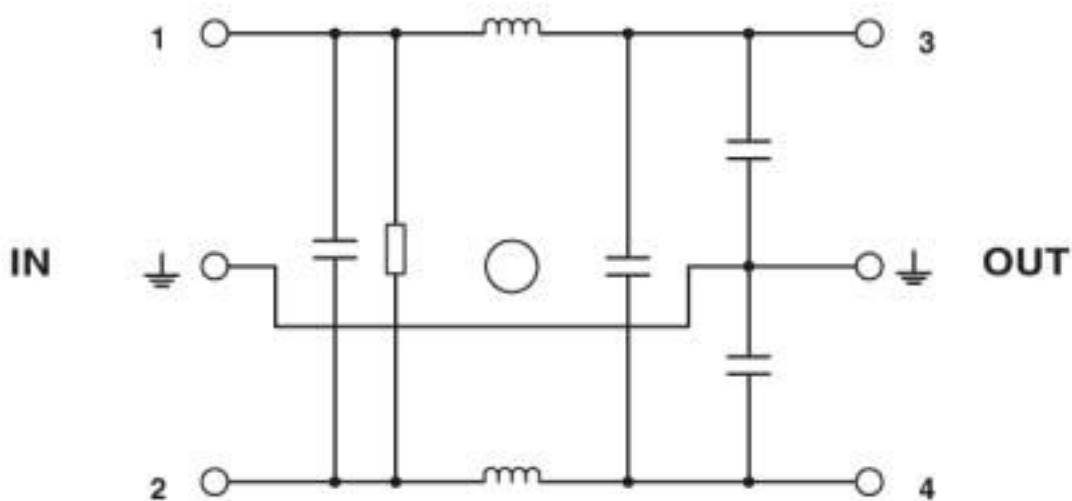


Dimensional drawing



EMC filter - NEF 1-10 - 2788977

Circuit diagram



Classifications

eCl@ss

| | |
|---------------|----------|
| eCl@ss 10.0.1 | 27130806 |
| eCl@ss 4.0 | 27130800 |
| eCl@ss 4.1 | 27130800 |
| eCl@ss 5.0 | 27130800 |
| eCl@ss 5.1 | 27130800 |
| eCl@ss 6.0 | 27130800 |
| eCl@ss 7.0 | 27130806 |
| eCl@ss 8.0 | 27130806 |
| eCl@ss 9.0 | 27130806 |

ETIM

| | |
|----------|----------|
| ETIM 2.0 | EC000942 |
| ETIM 3.0 | EC000942 |
| ETIM 4.0 | EC000942 |
| ETIM 5.0 | EC000942 |
| ETIM 6.0 | EC000942 |
| ETIM 7.0 | EC000942 |

UNSPSC

| | |
|---------------|----------|
| UNSPSC 6.01 | 30212010 |
| UNSPSC 7.0901 | 39121610 |
| UNSPSC 11 | 39121610 |
| UNSPSC 12.01 | 39121610 |
| UNSPSC 13.2 | 39121620 |
| UNSPSC 18.0 | 39121620 |
| UNSPSC 19.0 | 39121620 |

EMC filter - NEF 1-10 - 2788977

Classifications

UNSPSC

| | |
|-------------|----------|
| UNSPSC 20.0 | 39121620 |
| UNSPSC 21.0 | 39121620 |

Approvals

Approvals

Approvals

UL Recognized / VDE Zeichengenehmigung / EAC / EAC

Ex Approvals

Approval details

| | | | |
|---------------|--|---|---------------|
| UL Recognized | | http://database.ul.com/cgi-bin/XYV/template/LISEXT/1FRAME/index.htm | FILE E 118989 |
|---------------|--|---|---------------|

| | | | |
|----------------------------|-------|---|----------|
| VDE Zeichengenehmigung | | http://www2.vde.com/de/Institut/Online-Service/VDE-gepruefteProdukte/Seiten/Online-Suche.aspx | 40008521 |
| Nominal voltage UN | 250 V | | |
| Nominal current IN | 10 A | | |
| mm ² /AWG/kcmil | 2.5 | | |

| | | |
|-----|--|---------------|
| EAC | | EAC-Zulassung |
|-----|--|---------------|

| | | |
|-----|--|---------------------|
| EAC | | RU C-DE.*09.B.00169 |
|-----|--|---------------------|

Phoenix Contact 2020 © - all rights reserved
<http://www.phoenixcontact.com>

PHOENIX CONTACT GmbH & Co. KG
Flachsmarktstr. 8
32825 Blomberg
Germany
Tel. +49 5235 300
Fax +49 5235 3 41200
<http://www.phoenixcontact.com>

X-ON Electronics

Largest Supplier of Electrical and Electronic Components

Click to view similar products for [DIN Rail Terminal Blocks](#) category:

Click to view products by [Phoenix Contact](#) manufacturer:

Other Similar products are found below :

[00110420202](#) [8WA1011-1BH23](#) [8WA1011-1EF20](#) [91.010](#) [9102100000](#) [91.040](#) [9123140000](#) [9123140001](#) [RBO 5-T-B-HEX](#) [1333564](#) [DP25-GY-ND](#) [1431306](#) [1433306](#) [90.070](#) [91.020](#) [912314](#) [260-301_NR](#) [2757571](#) [280-331](#) [280-560](#) [280-564](#) [281-611/281-542](#) [281-673/281-411](#) [281-994](#) [283-317](#) [283-607](#) [2909798](#) [264-724](#) [264-726](#) [280-530](#) [280-555](#) [280-619](#) [281-610](#) [281-622/281-417](#) [284-317](#) [284-601](#) [2907033](#) [3048496](#) [5542152](#) [35956](#) [USK 10](#) [102510](#) [1025100000](#) [5520682](#) [5607102](#) [EMH 25-ZE30](#) [591620-2](#) [UM 45-SEFE M.NUT BK](#) [1-591651-1](#) [8671050000](#)