

Electronic housing - UEGM 40/2 BU - 2792604

Please be informed that the data shown in this PDF Document is generated from our Online Catalog. Please find the complete data in the user's documentation. Our General Terms of Use for Downloads are valid (<http://phoenixcontact.com/download>)



Electronic housing, fully equipped with 6 screw connections per side for two PCBs

The figure shows a green version



Key Commercial Data

| | |
|--------------|---------------|
| Packing unit | 10 pc |
| GTIN | |
| GTIN | 4017918365318 |

Technical data

General

| | |
|------------------|--------------------|
| Housing type | Complete housing |
| Housing material | Polyamide (PA 6.6) |
| Color (RAL) | blue (5015) |

Ambient conditions

| | |
|---------------------------------|-------------------|
| Ambient temperature (operation) | -40 °C ... 105 °C |
|---------------------------------|-------------------|

Dimensions

| | |
|--------|-------|
| Length | 79 mm |
| Width | 40 mm |
| Pitch | 5 mm |
| Depth | 79 mm |

Technical data

| | |
|----------------------------------|-------|
| Connection in acc. with standard | CUL |
| Nominal voltage U_N | 300 V |
| Nominal current I_N | 10 A |
| AWG/kcmil | 30-12 |

Electronic housing - UEGM 40/2 BU - 2792604

Technical data

Technical data

| | |
|----------------------------------|--------|
| Indicator1 | CUL1 |
| Power dissipation without gap | 5.2 W |
| Power dissipation with 20 mm gap | 11.2 W |
| Number of positions | 12 |

Connection data

| | |
|---------------------------------------|---------------------|
| Conductor cross section solid min. | 0.2 mm ² |
| Conductor cross section solid max. | 4 mm ² |
| Conductor cross section flexible min. | 0.2 mm ² |
| Conductor cross section flexible max. | 2.5 mm ² |
| Conductor cross section AWG min. | 24 |
| Conductor cross section AWG max. | 12 |
| Stripping length | 8 mm |

Standards and Regulations

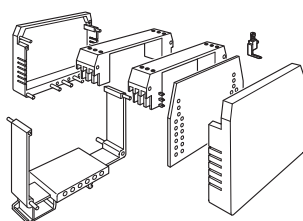
| | |
|--|-----|
| Connection in acc. with standard | CUL |
| Flammability rating according to UL 94 | V2 |

Environmental Product Compliance

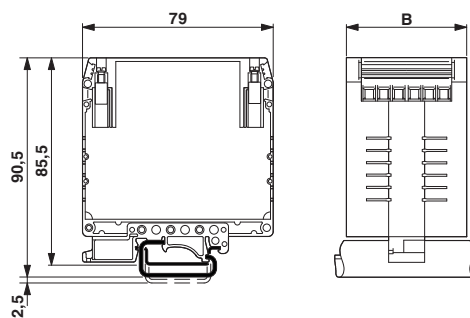
| | |
|------------|---|
| REACH SVHC | Lead 7439-92-1 |
| China RoHS | Environmentally Friendly Use Period = 50 |
| | For details about hazardous substances go to tab "Downloads", Category "Manufacturer's declaration" |

Drawings

Explosion drawing

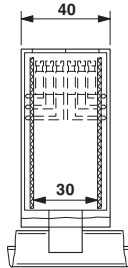


Dimensional drawing

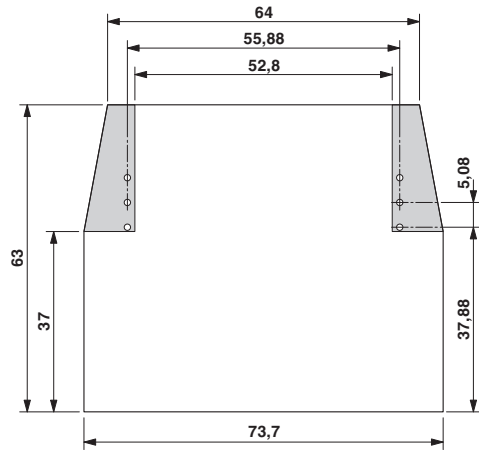


Electronic housing - UEGM 40/2 BU - 2792604

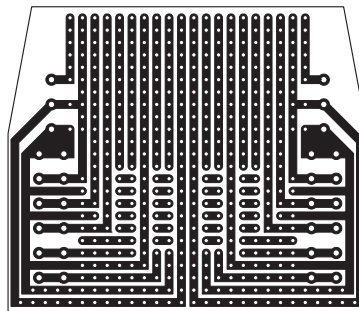
Dimensional drawing



Dimensional drawing



Schematic diagram



Approvals

Approvals

Approvals

UL Recognized / EAC / cULus Recognized

Ex Approvals

Approval details

UL Recognized





<http://database.ul.com/cgi-bin/XYV/template/LISEXT/1FRAME/index.htm>

FILE E 240868

Electronic housing - UEGM 40/2 BU - 2792604

Approvals

| | | |
|-----|---|---------|
| EAC |  | B.01742 |
|-----|---|---------|

| | | | |
|------------------|---|---|-----------------|
| cULus Recognized |  | http://database.ul.com/cgi-bin/XYV/template/LISEXT/1FRAME/index.htm | E60425-19770427 |
|------------------|---|---|-----------------|

| | |
|----------------------------|-------|
| Nominal voltage UN | 300 V |
| Nominal current IN | 10 A |
| mm ² /AWG/kcmil | 30-12 |

Phoenix Contact 2018 © - all rights reserved
<http://www.phoenixcontact.com>

PHOENIX CONTACT GmbH & Co. KG
Flachsmarktstr. 8
32825 Blomberg
Germany
Tel. +49 5235 300
Fax +49 5235 3 41200
<http://www.phoenixcontact.com>

X-ON Electronics

Largest Supplier of Electrical and Electronic Components

Click to view similar products for [Enclosures, Boxes & Cases](#) *category:*

Click to view products by [Phoenix Contact](#) *manufacturer:*

Other Similar products are found below :

[585-R-WH-PK](#) [M-10-PLATED](#) [60221-01](#) [60566-01-000](#) [HPL-9VB BATT DOOR](#) [M18-PLTD](#) [M-21-PLATED](#) [63310-01-000](#) [6711GSKT](#)
[71884-29-028](#) [LH45-100 Black](#) [72868-510-000](#) [CNS-0000 Black](#) [72883-510-000](#) [CNS-0101 Black](#) [72906-510-000](#) [CNS-0407 Black](#) [73092-](#)
[510-000](#) [CNM-0101 Black](#) [73105-510-000](#) [CNL-0101 Black](#) [73108-510-000](#) [CNL-0303 Black](#) [73395-510-039](#) [CNS-0006 Bone](#) [74257-510-000](#)
[CNL-0004](#) [MDC-1183-PLAIN-ALUM](#) [MDC-1183-PTD](#) [MDC-13104-PTD](#) [MDC-321-PTD](#) [MDC-973-PTD](#) [76](#) [77153-01-028](#) [FLX6030](#)
[83535-01-508](#) [90026-501-000](#) [PS36-200](#) [116-508](#) [120-407](#) [120-910](#) [127-908](#) [130-008](#) [1301170079](#) [1322GSKTEP](#) [1325GSKT3](#) [1434-1210](#)
[EAS-500 \(BLACK ANO\)](#) [1804RP-RB-PK](#) [190-005](#) [2202307](#) [KAB3321 BLACK](#) [KAB3421](#) [2697466](#) [S52213](#) [2901123](#) [2901699](#) [A0645271](#)
[A20P20](#) [2106-IR](#) [PERF-850-PLN](#)