

## EMC filter - NEF 1- 1 - 2794123

Please be informed that the data shown in this PDF Document is generated from our Online Catalog. Please find the complete data in the user's documentation. Our General Terms of Use for Downloads are valid (<http://phoenixcontact.com/download>)




Mains interference filter, with universal foot for mounting on NS 32 and NS 35/7.5, nominal current: 1 A

### Your advantages

- DIN rail module
- For single-phase circuits



### Key Commercial Data

Packing unit	10 pc
GTIN	 4 017918 072810
GTIN	4017918072810

### Technical data

#### Dimensions

Height	79.4 mm
Width	25 mm
Depth	84.15 mm

#### Ambient conditions

Ambient temperature (operation)	-25 °C ... 100 °C (HMF)
Degree of protection	IP20

#### General

Housing material	PA
Flammability rating according to UL 94	V-2
Color	black
Standards for clearances and creepage distances	IEC 60664-1
	VDE 0110-1
Mounting type	DIN rail: 35 mm

# EMC filter - NEF 1- 1 - 2794123

## Technical data

### General

Type	DIN rail module, one-piece
Number of positions	2
Direction of action	1L-N & N-PE

### Protective circuit

Maximum continuous voltage $U_c$	264 V AC (L-N)
	264 V AC (L-PE)
Nominal frequency $f_N$	50 Hz (60 Hz)
Rated current	1 A (40 °C)
Operating effective current $I_c$ at $U_c$	$\leq 0.25$ mA
Residual current $I_{PE}$	$\leq 0.5$ mA
Input attenuation aE, sym.	$> 65$ dB (50 $\Omega$ / 1 MHz)
Input attenuation aE, asym.	$> 45$ dB (50 $\Omega$ / 1 MHz)
Capacity	2x 100 nF (X2)
	2x 2.2 nF (Y2)
Inductivity in series	2x 10 mH (with current compensation)
Max. required back-up fuse	1 A (gL)

### Connection data

Connection method	Screw connection
Connection method IN	Screw terminal blocks
Connection method OUT	Screw terminal blocks
Screw thread	M3
Tightening torque	0.8 Nm
Stripping length	8 mm
Conductor cross section flexible	0.2 mm <sup>2</sup> ... 2.5 mm <sup>2</sup>
Conductor cross section solid	0.2 mm <sup>2</sup> ... 4 mm <sup>2</sup>
Conductor cross section AWG	24 ... 12

### Standards and Regulations

Standards/specifications	IEC 60939-2
	EN 60939-2

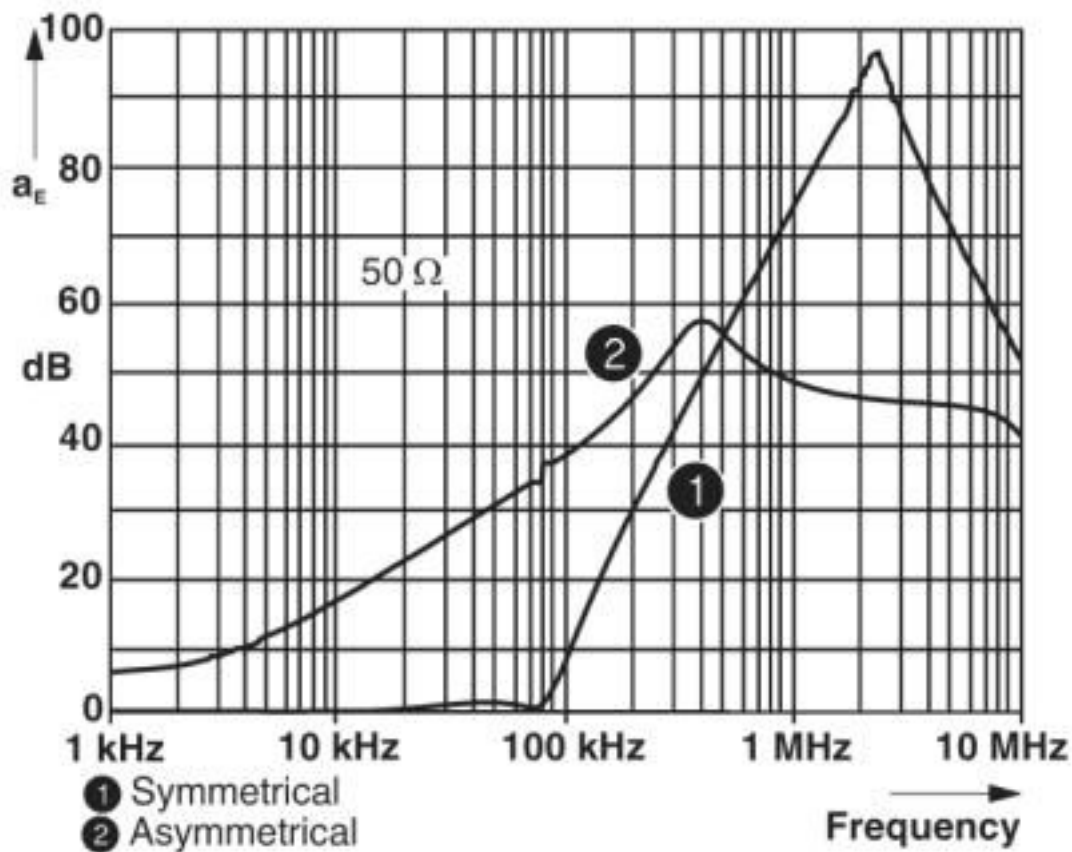
### Environmental Product Compliance

REACH SVHC	Lead 7439-92-1
China RoHS	Environmentally Friendly Use Period = 50 years
	For details about hazardous substances go to tab "Downloads", Category "Manufacturer's declaration"

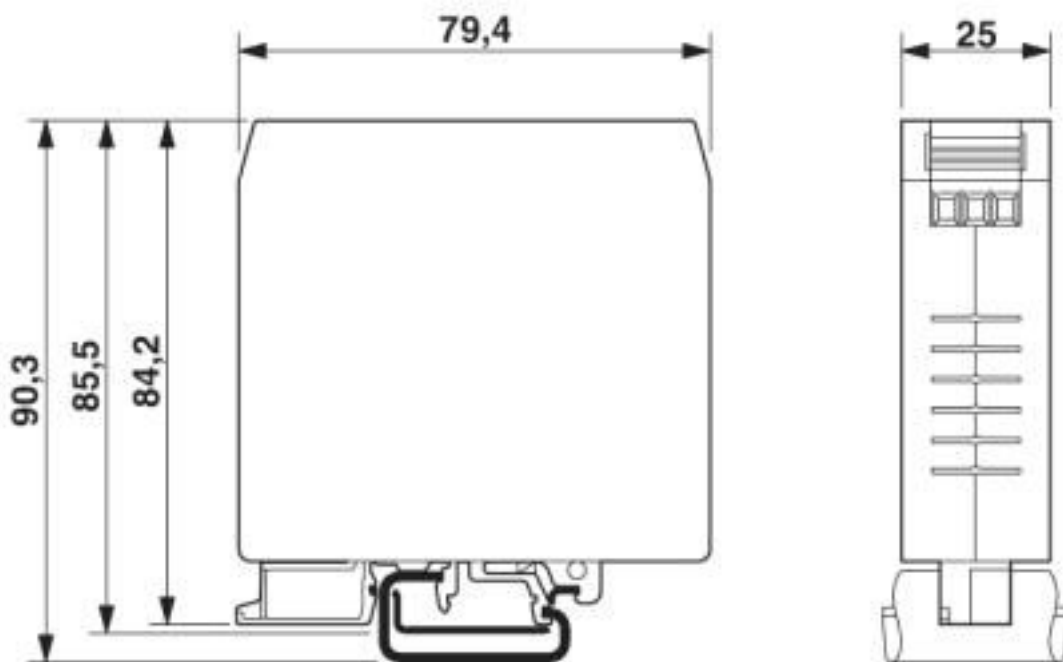
## Drawings

# EMC filter - NEF 1- 1 - 2794123

Diagram

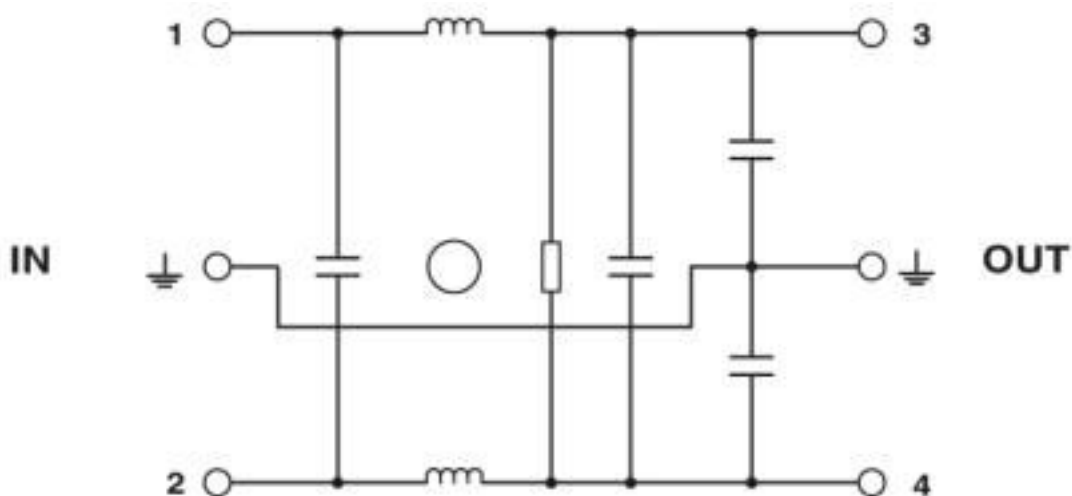


Dimensional drawing



# EMC filter - NEF 1- 1 - 2794123

Circuit diagram



## Classifications

### eCl@ss

eCl@ss 10.0.1	27130806
eCl@ss 4.0	27130800
eCl@ss 4.1	27130800
eCl@ss 5.0	27130800
eCl@ss 5.1	27130800
eCl@ss 6.0	27130800
eCl@ss 7.0	27130806
eCl@ss 8.0	27130806
eCl@ss 9.0	27130806

### ETIM

ETIM 2.0	EC000942
ETIM 3.0	EC000942
ETIM 4.0	EC000942
ETIM 5.0	EC000942
ETIM 6.0	EC000942
ETIM 7.0	EC000942

### UNSPSC

UNSPSC 6.01	30212010
UNSPSC 7.0901	39121610
UNSPSC 11	39121610
UNSPSC 12.01	39121610
UNSPSC 13.2	39121620
UNSPSC 18.0	39121620
UNSPSC 19.0	39121620

# EMC filter - NEF 1- 1 - 2794123

## Classifications

### UNSPSC

UNSPSC 20.0	39121620
UNSPSC 21.0	39121620

## Approvals

### Approvals

#### Approvals

UL Recognized / VDE Zeichengenehmigung / EAC / EAC

#### Ex Approvals

### Approval details

UL Recognized		<a href="http://database.ul.com/cgi-bin/XYV/template/LISEXT/1FRAME/index.htm">http://database.ul.com/cgi-bin/XYV/template/LISEXT/1FRAME/index.htm</a>	FILE E 118989
Nominal voltage UN		250 V	
Nominal current IN		1 A	
mm <sup>2</sup> /AWG/kcmil		22-12	

VDE Zeichengenehmigung		<a href="http://www2.vde.com/de/Institut/Online-Service/VDE-gepruefteProdukte/Seiten/Online-Suche.aspx">http://www2.vde.com/de/Institut/Online-Service/VDE-gepruefteProdukte/Seiten/Online-Suche.aspx</a>	40008521
Nominal voltage UN		250 V	
Nominal current IN		1 A	
mm <sup>2</sup> /AWG/kcmil		2.5	

EAC		EAC-Zulassung
-----	--	---------------

EAC		RU C-DE.*09.B.00169
-----	--	---------------------

Phoenix Contact 2020 © - all rights reserved  
<http://www.phoenixcontact.com>

PHOENIX CONTACT GmbH & Co. KG  
Flachmarktstr. 8  
32825 Blomberg  
Germany  
Tel. +49 5235 300  
Fax +49 5235 3 41200  
<http://www.phoenixcontact.com>

## X-ON Electronics

Largest Supplier of Electrical and Electronic Components

*Click to view similar products for [DIN Rail Terminal Blocks](#) category:*

*Click to view products by [Phoenix Contact](#) manufacturer:*

Other Similar products are found below :

[00110420202](#) [8WA1011-1BH23](#) [8WA1011-1EF20](#) [91.010](#) [9102100000](#) [91.040](#) [9123140000](#) [9123140001](#) [RBO 5-T-B-HEX](#) [1333564](#) [DP25-GY-ND](#) [1431306](#) [1433306](#) [90.070](#) [91.020](#) [912314](#) [260-301\\_NR](#) [2757571](#) [280-331](#) [280-560](#) [280-564](#) [281-611/281-542](#) [281-673/281-411](#) [281-994](#) [283-317](#) [283-607](#) [2909798](#) [264-724](#) [264-726](#) [280-530](#) [280-555](#) [280-619](#) [281-610](#) [281-622/281-417](#) [284-317](#) [284-601](#) [2907033](#) [3048496](#) [5542152](#) [35956](#) [USK 10](#) [102510](#) [1025100000](#) [5520682](#) [5607102](#) [EMH 25-ZE30](#) [591620-2](#) [UM 45-SEFE M.NUT BK](#) [1-591651-1](#) [8671050000](#)