

Surge protection device - D-UFB-V11/BS-B - 2796121


Please be informed that the data shown in this PDF Document is generated from our Online Catalog. Please find the complete data in the user's documentation. Our General Terms of Use for Downloads are valid (<http://phoenixcontact.com/download>)



Attachment plug with surge protection for V.11 interface. Connection: D-SUB-15 socket/plug, installation in lines

RoHS

Key Commercial Data

Packing unit	1 pc
GTIN	 4 017918 073312
GTIN	4017918073312

Technical data

Dimensions

Height	54.5 mm
Width	24.5 mm
Length	84.6 mm

Ambient conditions

Ambient temperature (operation)	-40 °C ... 60 °C
Degree of protection	IP20

General

Housing material	Aluminum
Color	black
Standards for clearances and creepage distances	VDE 0110-1
	IEC 60664-1
Mounting type	Connection-specific intermediate plugging
Type	Attachment plug
Direction of action	Line-Line & Line-Signal Ground/Shield & Signal Ground/Shield-Earth Ground

Protective circuit

IEC test classification	C1
-------------------------	----

Surge protection device - D-UFB-V11/BS-B - 2796121

Technical data

Protective circuit

	C2
	C3
	D1
VDE requirement class	C1
	C2
	C3
	D1
Maximum continuous voltage U_C	12 V DC
Nominal current I_N	175 mA (25 °C)
Operating effective current I_C at U_C	$\leq 10 \mu\text{A}$
Residual current I_{PE}	$\leq 4 \mu\text{A}$
Nominal discharge current I_n (8/20) μs (line-line)	5 kA
Nominal discharge current I_n (8/20) μs (line-earth)	5 kA
Nominal discharge current I_n (8/20) μs (line-signal ground)	5 kA
Total surge current (8/20) μs	10 kA
Output voltage limitation at 1 kV/ μs (line-line) spike	$\leq 22 \text{ V}$
Output voltage limitation at 1 kV/ μs (line-earth) spike	$\leq 600 \text{ V}$
Output voltage limitation at 1 kV/ μs (line-line) static	$\leq 22 \text{ V}$
Output voltage limitation at 1 kV/ μs (line-earth) static	$\leq 600 \text{ V}$
Output voltage limitation at 1 kV/ μs (line-signalground) static	$\leq 22 \text{ V}$
Residual voltage at I_n (line-line)	$\leq 17 \text{ V}$
Residual voltage at I_n (line-signalground)	$\leq 33 \text{ V}$
Voltage protection level U_p (line-line)	$\leq 25 \text{ V}$ (C2 - 4 kV / 2 kA)
	$\leq 30 \text{ V}$ (C2 - 10 kV / 5 kA)
Voltage protection level U_p (line-earth)	$\leq 700 \text{ V}$ (C2 - 10 kV / 5 kA)
Voltage protection level U_p (line-signalground)	$\leq 30 \text{ V}$ (C2 - 4 kV / 2 kA)
Response time t_A (line-line)	$\leq 1 \text{ ns}$
Response time t_A (line-signalground)	$\leq 1 \text{ ns}$
Response time t_A (line-earth)	$\leq 100 \text{ ns}$
Input attenuation aE, sym.	3.2 dB ($\leq 1 \text{ MHz}$)
	0.4 dB ($\leq 600 \text{ kHz}$)
Input attenuation aE, asym.	1.7 dB ($\leq 1 \text{ MHz}$)
	0.1 dB ($\leq 600 \text{ kHz}$)
Cut-off frequency f_g (3 dB), sym. in 50 Ohm system	typ. 5 MHz
Cut-off frequency f_g (3 dB), sym. in 600 Ohm system	typ. 500 kHz
Cut-off frequency f_g (3 dB), asym. (PE) in 50 Ohm system	typ. 5 MHz
Cut-off frequency f_g (3 dB), asym. (PE) in 600 Ohm system	typ. 500 kHz
Resistance per path	22 Ω
Surge protection fault message	none
Impulse durability (line-line)	C2 - 10 kV / 5 kA

Surge protection device - D-UFB-V11/BS-B - 2796121

Technical data

Protective circuit

Impulse durability (line-earth)	C2 - 10 kV / 5 kA
	D1 - 2.5 kA

Connection data

Connection method	D-SUB-15
Connection method IN	D-SUB-15 socket
Connection method OUT	D-SUB-15 connector
Connection technology	V.11

Standards and Regulations

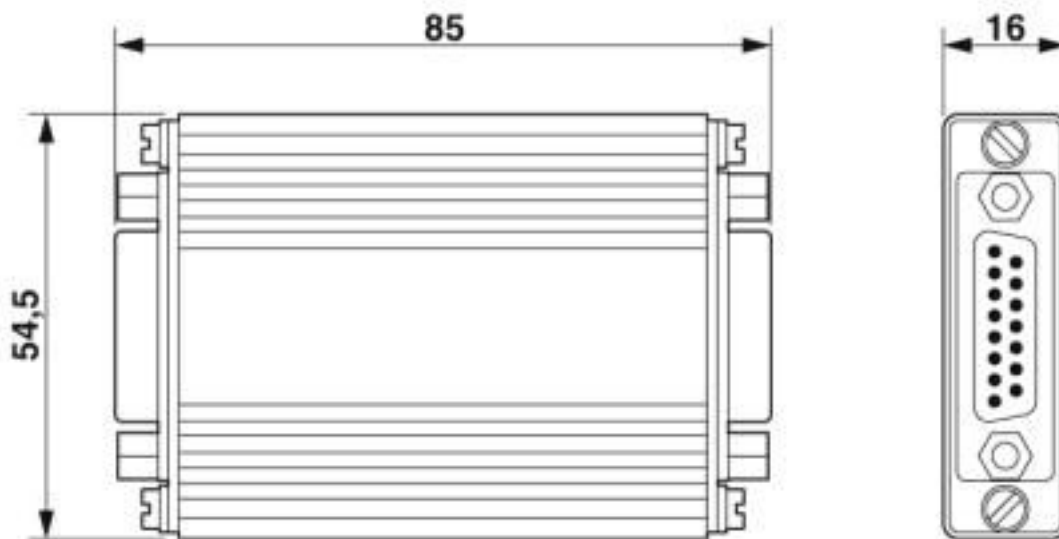
Standards/regulations	IEC 61643-21
Standards/specifications	IEC 61643-21 2000

Environmental Product Compliance

REACH SVHC	Lead 7439-92-1
China RoHS	Environmentally Friendly Use Period = 50 years
	For details about hazardous substances go to tab "Downloads", Category "Manufacturer's declaration"

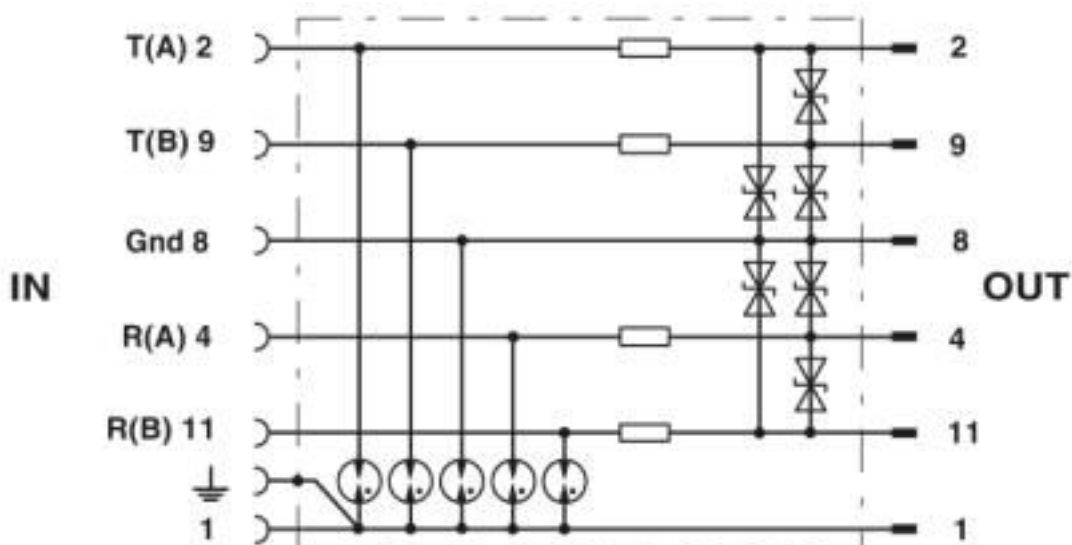
Drawings

Dimensional drawing



Surge protection device - D-UFB-V11/BS-B - 2796121

Circuit diagram



Classifications

eCl@ss

eCl@ss 10.0.1	27130807
eCl@ss 4.0	27130800
eCl@ss 4.1	27130800
eCl@ss 5.0	27130800
eCl@ss 5.1	27130800
eCl@ss 6.0	27130800
eCl@ss 7.0	27130807
eCl@ss 8.0	27130807
eCl@ss 9.0	27130807

ETIM

ETIM 2.0	EC000943
ETIM 3.0	EC000943
ETIM 4.0	EC000943
ETIM 5.0	EC000943
ETIM 6.0	EC000943
ETIM 7.0	EC000943

UNSPSC

UNSPSC 6.01	30212010
UNSPSC 7.0901	39121610
UNSPSC 11	39121610
UNSPSC 12.01	39121610
UNSPSC 13.2	39121620

Surge protection device - D-UFB-V11/BS-B - 2796121

Classifications

UNSPSC

UNSPSC 18.0	39121620
UNSPSC 19.0	39121620
UNSPSC 20.0	39121620
UNSPSC 21.0	39121620

Approvals

Approvals

Approvals

EAC

Ex Approvals

Approval details

EAC		RU C- DE.*09.B.00169
-----	-------------------------------------------------------------------------------------	-------------------------

Phoenix Contact 2020 © - all rights reserved
<http://www.phoenixcontact.com>

PHOENIX CONTACT GmbH & Co. KG
Flachsmarktstr. 8
32825 Blomberg
Germany
Tel. +49 5235 300
Fax +49 5235 3 41200
<http://www.phoenixcontact.com>

X-ON Electronics

Largest Supplier of Electrical and Electronic Components

Click to view similar products for D-Sub Adapters & Gender Changers category:

Click to view products by Phoenix Contact manufacturer:

Other Similar products are found below :

[243A10120X](#) [243A11070X](#) [243A13290X](#) [243A13460X](#) [300X10729X](#) [300X10759X](#) [GCHDLP26F26F](#) [30-9532P](#) [40-9586FP](#) [500-135](#) [40-9526HDMP](#) [56F715-003](#) [243A11800X](#) [243A10560X](#) [40-9526HDSP](#) [243A11060X](#) [56-745-005](#) [243A10580X](#) [56-725-001](#) [SC485](#) [173114-0088](#) [173114-0099](#) [76000670](#) [76000700](#) [NADB9MF](#) [2902323](#) [2902326](#) [40-9538F](#) [163A50049X](#) [NADB15FF-B](#) [NADB9FF-B](#) [243A10030X](#) [76000671](#) [163A50029X](#) [16-501373](#) [FCC17-E09AD-210](#) [FCE17-A15AD-250](#) [FCE17-B25AD-210](#) [FCE17-B25AD-250](#) [FCE17B25AD290](#) [FCE17-E09AD-210](#) [FCE5709500430](#) [2310387](#) [GCHDLP44M44M](#) [GCLP25M25F](#) [FCC17A15AD2E0](#) [FCC17C37AD280](#) [FCC17-E09AD-280](#) [FCC17E09AD293](#) [FCC17E09AD4D0](#)