

## Fiber optic coupling - PSM-SET-FSMA-LINK/2 - 2799416

Please be informed that the data shown in this PDF Document is generated from our Online Catalog. Please find the complete data in the user's documentation. Our General Terms of Use for Downloads are valid (<http://phoenixcontact.com/download>)

Coupling; set consisting of 2 couplings for connecting F-SMA plugs




### Your advantages

- Suitable for fiber types:
  - POF (980/1000 µm)
  - PCF (200/230 µm)
  - GOF MM (50/125µm)
  - GOF SM (9/125µm)



### Key Commercial Data

Packing unit	1 pc
GTIN	 4 017918 118396
GTIN	4017918118396

### Technical data

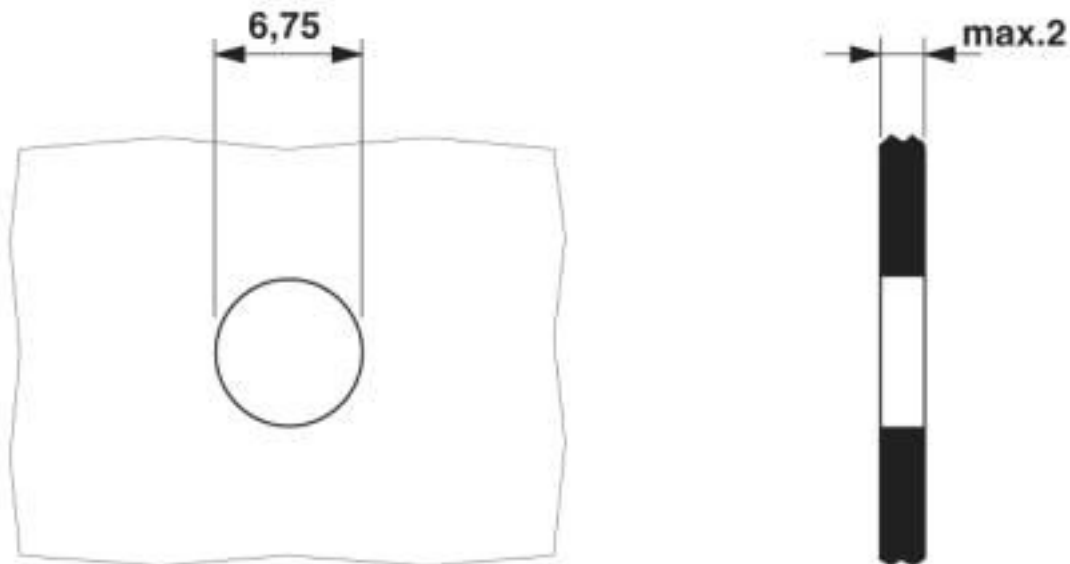
#### Environmental Product Compliance

REACH SVHC	Lead 7439-92-1
China RoHS	Environmentally friendly use period: unlimited = EFUP-e
	No hazardous substances above threshold values

### Drawings

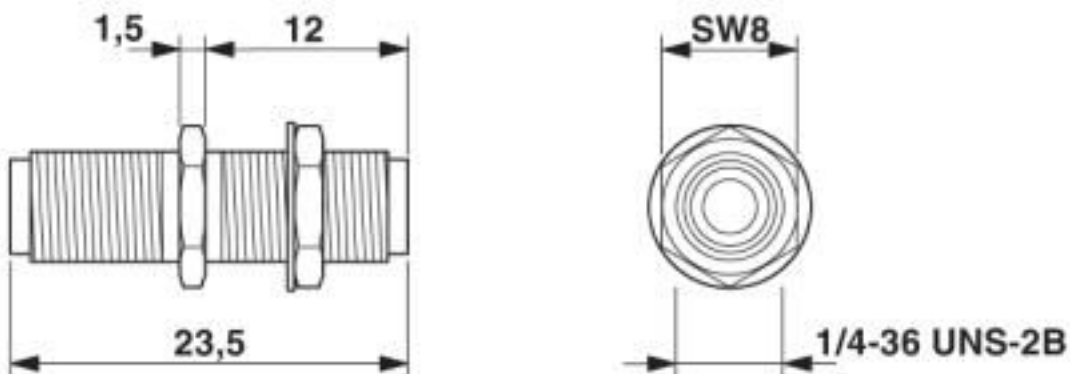
# Fiber optic coupling - PSM-SET-FSMA-LINK/2 - 2799416

Drilling diagram



Drilling diagram F-SMA panel feed-through

Dimensional drawing



Dimensional drawing F-SMA coupling

## Classifications

eCl@ss

eCl@ss 10.0.1	19170116
eCl@ss 4.0	24010400
eCl@ss 4.1	24010400
eCl@ss 5.0	19030300
eCl@ss 5.1	19030300
eCl@ss 6.0	27061800
eCl@ss 7.0	19170116
eCl@ss 8.0	19170116

# Fiber optic coupling - PSM-SET-FSMA-LINK/2 - 2799416

## Classifications

eCl@ss

eCl@ss 9.0	19170116
------------	----------

## ETIM

ETIM 2.0	EC000752
ETIM 3.0	EC000752
ETIM 4.0	EC000752
ETIM 5.0	EC000752
ETIM 6.0	EC000752
ETIM 7.0	EC000752

## UNSPSC

UNSPSC 6.01	26121607
UNSPSC 7.0901	26121607
UNSPSC 11	26121607
UNSPSC 12.01	26121607
UNSPSC 13.2	26121607
UNSPSC 18.0	26121607
UNSPSC 19.0	26121607
UNSPSC 20.0	26121607
UNSPSC 21.0	26121607

## Approvals

Approvals

---

Approvals

EAC

---

Ex Approvals

---

Approval details

EAC		B.01687
-----	--	---------

## Accessories

Accessories

Adapter

## Fiber optic coupling - PSM-SET-FSMA-LINK/2 - 2799416

### Accessories

Fiber optic coupling - FL COUPLER SC-DUPLEX - 2901788



Coupling, SC duplex/SC duplex, compatible with multi-mode and single mode glass fibers, PCF, and polymer fibers

---

### Data plug

Fiber optic coupling - PSM-SET-BFOC-LINK/2 - 2799429



Coupling; set consisting of 2 couplings for connecting B-FOC plugs

---

Fiber optic coupling - FL MM PATCH COUPLER LC-LC - 2700312



Coupling, LC/LC, can be used for multi-mode glass fibers

---

Fiber optic coupling - FL SM PATCH COUPLER LC-LC - 2700313



Coupling, LC/LC, can be used for single mode glass fibers

---

FO connectors - PSM-SET-FSMA/4-HCS - 2799487



F-SMA plug set for PCF fiber, for self assembly consisting of 4 quick mounting connectors with bend protection sleeve

---

## Fiber optic coupling - PSM-SET-FSMA-LINK/2 - 2799416

### Accessories

FO connectors - PSM-SET-FSMA/4-KT - 2799720



F-SMA plug set for polymer fiber, for self assembly consisting of 4 quick mounting connectors with bend protection sleeve

---

### Fiber optics connector (device side)

SC-RJ female insert - VS-SCRJ-GOF-BU/BU - 1652978



SC-RJ socket insert, duplex, for VS-A-F-IP67 panel mounting frame, can be used for fiberglass (multi-mode and single mode), PCF, and polymer fibers

---

Phoenix Contact 2020 © - all rights reserved  
<http://www.phoenixcontact.com>

PHOENIX CONTACT GmbH & Co. KG  
Flachsmarktstr. 8  
32825 Blomberg  
Germany  
Tel. +49 5235 300  
Fax +49 5235 3 41200  
<http://www.phoenixcontact.com>

## X-ON Electronics

Largest Supplier of Electrical and Electronic Components

*Click to view similar products for [Fibre Optic Connectors](#) category:*

*Click to view products by [Phoenix Contact](#) manufacturer:*

Other Similar products are found below :

[0004700001](#) [6100-R](#) [6313](#) [F709034706](#) [F709722200](#) [F709730000](#) [F718183204](#) [F727403500](#) [F727752800](#) [8119](#) [9440F20-27S-190](#) [944-120-6001](#) [9441F10SL-3S](#) [9444W28-21S](#) [9444W36-10S](#) [9446F10SL-4S](#) [9446W20-16S](#) [953-101-5310-P](#) [954-101-57202B](#) [A0270169](#) [12-9122](#) [12-5702](#) [AX101713](#) [AX102420](#) [AX103923](#) [AX104024](#) [AX104193](#) [AX104230](#) [AX104562](#) [AX105203-B25](#) [AX105205-S1](#) [EHSC2M](#) [17-300800](#) [181-011-126](#) [181-011-S](#) [181-057-126](#) [HRFC-R2\(40\)](#) [NKSOPBUY](#) [20500002116](#) [2064996-1](#) [20800001065](#) [2170](#) [9132](#) [2612](#) [2620](#) [9291](#) [9440F16-10S](#) [9440F20-18S](#) [9446F16-10S-190](#) [953-106-50231](#)