

Surge protection device - DT-UFB-IB-RBI - 2800055

Please be informed that the data shown in this PDF Document is generated from our Online Catalog. Please find the complete data in the user's documentation. Our General Terms of Use for Downloads are valid (<http://phoenixcontact.com/download>)

Attachment plug with surge protection for 5-conductor remote bus input. Connection: 9-pos. D-SUB plug - socket. Can alternatively be snapped onto DIN rails. Incl. 1 m cable with 9-pos. D-SUB connection.




Your advantages

- 9-pos. D-SUB connection
- Adapter type
- DIN rail mounting possible by removing the cap
- D-SUB cable included
- For remote bus modules (remote bus IN - RBI)



Key Commercial Data

| | |
|--------------|---|
| Packing unit | 1 pc |
| GTIN |  4 046356 462716 |
| GTIN | 4046356462716 |

Technical data

Dimensions

| | |
|--------|--------|
| Height | 110 mm |
| Width | 25 mm |
| Depth | 63 mm |

Ambient conditions

| | |
|---------------------------------|------------------|
| Ambient temperature (operation) | -40 °C ... 85 °C |
| Degree of protection | IP20 |

General

| | |
|---|---------------|
| Housing material | Zinc die-cast |
| Color | silver/black |
| Standards for clearances and creepage distances | IEC 60664-1 |
| | VDE 0110-1 |

Surge protection device - DT-UFB-IB-RBI - 2800055

Technical data

General

| | |
|---------------------|---|
| Mounting type | Connection-specific attachment plug and DIN rail, 35 mm |
| Type | Attachment plug for DIN rail mounting |
| Number of positions | 5 |
| Direction of action | Line-Line & Line-Ground/Shield |

Protective circuit

| | |
|---|---|
| IEC test classification | B2 |
| | C1 |
| | C2 |
| | C3 |
| | D1 |
| VDE requirement class | B2 |
| | C1 |
| | C2 |
| | C3 |
| | D1 |
| Maximum continuous voltage U_c | 5.8 V DC |
| Rated current | ≤ 180 mA (25 °C) |
| Operating effective current I_c at U_c | ≤ 1 μ A |
| Residual current I_{PE} | ≤ 5 μ A |
| Nominal discharge current I_n (8/20) μ s (line-line) | ≤ 5 kA |
| Nominal discharge current I_n (8/20) μ s (line-earth) | ≤ 5 kA |
| Total discharge current I_{total} (8/20) μ s | 10 kA |
| Output voltage limitation at 1 kV/ μ s (line-earth) spike | ≤ 700 V |
| Output voltage limitation at 1 kV/ μ s (line-line) static | ≤ 15 V |
| Output voltage limitation at 1 kV/ μ s (line-earth) static | ≤ 700 V |
| Output voltage limitation at 1 kV/ μ s (line-signalground) static | ≤ 15 V |
| Residual voltage at I_n (line-line) | ≤ 25 V |
| Residual voltage at I_n (line-earth) | ≤ 55 V |
| Residual voltage at I_n (line-signalground) | ≤ 25 V |
| Voltage protection level U_p (line-line) | ≤ 16 V (B2 - 100 A) |
| | ≤ 20 V (C1 - 500 A) |
| | ≤ 20 V (C2 - 1 kA) |
| | ≤ 60 V (C2 - 5 kA) |
| Voltage protection level U_p (line-earth) | ≤ 700 V (B2 - 100 A) |
| | ≤ 700 V (C1 - 500 A) |
| | ≤ 700 V (C2 - 5 kA) |
| Response time t_A (line-line) | ≤ 1 ns |
| Response time t_A (line-earth) | ≤ 100 ns |
| Input attenuation aE, sym. | typ. 0.5 dB (≤ 5 MHz / 150 Ω) |

Surge protection device - DT-UFB-IB-RBI - 2800055

Technical data

Protective circuit

| | |
|--|--|
| | typ. 0.6 dB (≤ 10 MHz / 100/150 Ω) |
| Cut-off frequency f_g (3 dB), sym. in 100 Ohm system | ≥ 100 MHz |
| Cut-off frequency f_g (3 dB), sym. in 150 Ohm system | ≥ 100 MHz |
| Capacity (line-line) | typ. 20 pF |
| Resistance per path | typ. 7 Ω |
| Surge protection fault message | none |
| Impulse durability (line-line) | C1 - 1 kV / 500 A |
| | C2 - 10 kV / 5 kA |
| | B2 - 4 kV / 100 A |
| Impulse durability (line-earth) | B2 - 4 kV / 100 A |
| | C1 - 1 kV / 500 A |
| | C2 - 10 kV / 5 kA |
| | D1 - 1 kA |

Connection data

| | |
|-----------------------|------------------|
| Connection method | D-SUB-9 |
| Connection method IN | D-SUB-9 plug |
| Connection method OUT | D-SUB-9 socket |
| Connection technology | Remote bus input |

Connection, equipotential bonding

| | |
|-------------------|------------------|
| Connection method | Cable connection |
|-------------------|------------------|

Standards and Regulations

| | |
|--------------------------|----------------------|
| Standards/regulations | IEC 61643-21 |
| | DIN EN 61643-21 |
| Standards/specifications | DIN EN 61643-21 2002 |
| | IEC 61643-21 2000 |

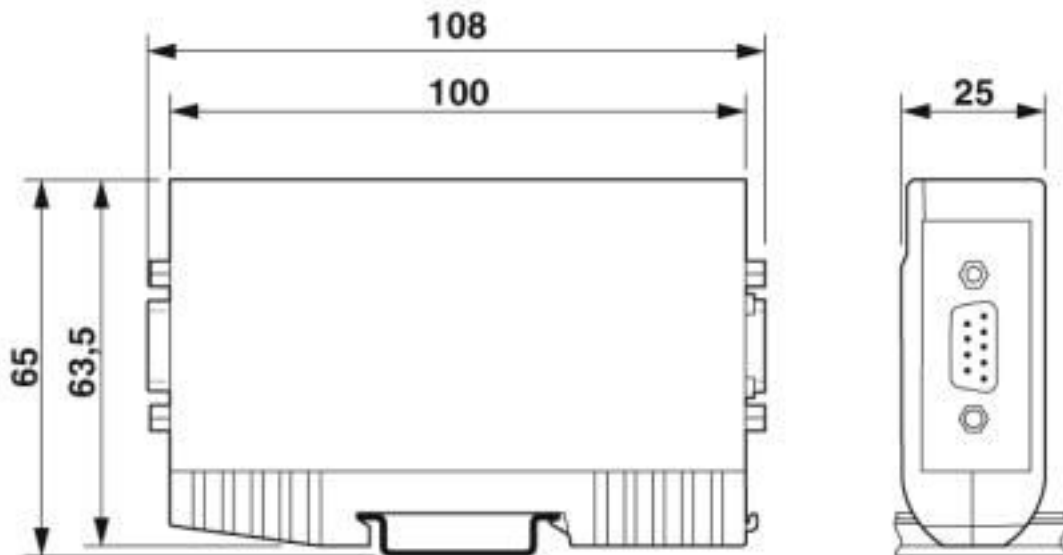
Environmental Product Compliance

| | |
|------------|---|
| REACH SVHC | Lead 7439-92-1 |
| China RoHS | Environmentally friendly use period: unlimited = EFUP-e |
| | No hazardous substances above threshold values |

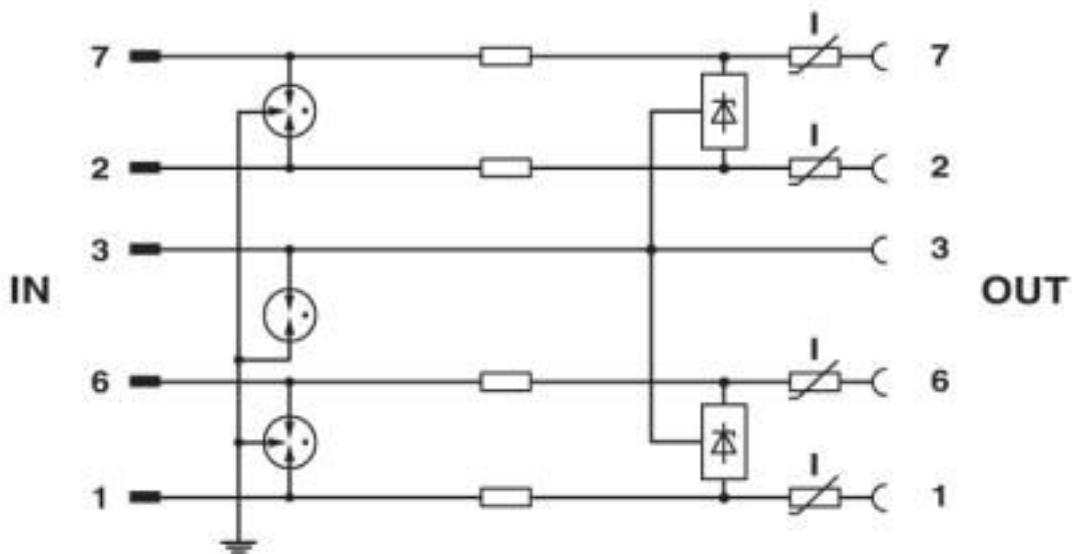
Drawings

Surge protection device - DT-UFB-IB-RBI - 2800055

Dimensional drawing



Circuit diagram



Classifications

eCl@ss

| | |
|---------------|----------|
| eCl@ss 10.0.1 | 27130807 |
| eCl@ss 4.0 | 27130800 |
| eCl@ss 4.1 | 27130800 |
| eCl@ss 5.0 | 27130800 |
| eCl@ss 5.1 | 27130800 |
| eCl@ss 6.0 | 27130800 |
| eCl@ss 7.0 | 27130807 |

Surge protection device - DT-UFB-IB-RBI - 2800055

Classifications

eCl@ss

| | |
|------------|----------|
| eCl@ss 8.0 | 27130807 |
| eCl@ss 9.0 | 27130807 |

ETIM

| | |
|----------|----------|
| ETIM 2.0 | EC000943 |
| ETIM 3.0 | EC000943 |
| ETIM 4.0 | EC000943 |
| ETIM 5.0 | EC000943 |
| ETIM 6.0 | EC000943 |
| ETIM 7.0 | EC000943 |

UNSPSC

| | |
|---------------|----------|
| UNSPSC 6.01 | 30212010 |
| UNSPSC 7.0901 | 39121610 |
| UNSPSC 11 | 39121610 |
| UNSPSC 12.01 | 39121610 |
| UNSPSC 13.2 | 39121620 |
| UNSPSC 18.0 | 39121620 |
| UNSPSC 19.0 | 39121620 |
| UNSPSC 20.0 | 39121620 |
| UNSPSC 21.0 | 39121620 |

Approvals

Approvals

Approvals

EAC

Ex Approvals

Approval details

| | | |
|-----|--|-------------------------|
| EAC | | RU C- DE.*09.B.00169 |
|-----|--|-------------------------|

Phoenix Contact 2020 © - all rights reserved
<http://www.phoenixcontact.com>

PHOENIX CONTACT GmbH & Co. KG
Flachmarktstr. 8
32825 Blomberg
Germany
Tel. +49 5235 300
Fax +49 5235 3 41200
<http://www.phoenixcontact.com>

X-ON Electronics

Largest Supplier of Electrical and Electronic Components

Click to view similar products for [Surge Suppressors](#) category:

Click to view products by [Phoenix Contact](#) manufacturer:

Other Similar products are found below :

[GUS1](#) [GUS12](#) [BSPM1A600D600LVR](#) [2800521](#) [29-2053](#) [GUS11](#) [GUS2](#) [GUS3](#) [GUS4](#) [30460](#) [SRA64C060X](#) [PC642C015](#) [1810-15-A3](#)
[2713175](#) [4B06B-EC1-150LF](#) [SRA6LC](#) [BPMA75D100LV](#) [CX06M](#) [CCTV1](#) [GUS13](#) [GUS14](#) [GUS5](#) [GUS6](#) [VAL-MS 320/3+0-FM](#) [VAL-US-](#)
[120/40/1+1-FM](#) [VAL-US-120/65/1+1-FM](#) [VAL-US-480D/30/3+0-FM](#) [VAL-US-120/40/1+0-FM](#) [STCHSP121BT1RU](#) [LP-BFDN-CW](#) [LP-](#)
[STRL-NFF](#) [LP-STRL-DFE](#) [GUS22](#) [0804111](#) [5053609](#) [5053201](#) [SPD2-150-1P0](#) [SPD2-550-1P0](#) [6720005416](#) [6720005417](#) [1-2191595-2](#)
[STC-CAT6-P0E-I](#) [SPD2-350-1P0](#) [FLT-CP-350-ST](#) [TTC-6P-3-HF-F-M-12DC-UT-I](#) [SMTPA200](#) [2800989](#) [2906776](#) [2906810](#) [2906847](#)