

## Surge protection device - SYS N4X/I 277/480Y - 2800718

Please be informed that the data shown in this PDF Document is generated from our Online Catalog. Please find the complete data in the user's documentation. Our General Terms of Use for Downloads are valid (<http://phoenixcontact.com/download>)




Indoor/outdoor lightning current arrester and TVSS system for 277/480 V Wye system

### Product Description

Combination lightning current arrester and TVSS for 277/480 V Wye. Components are housed in an IP66/NEMA 4X cabinet and include phase indicator lamps.

### Key Commercial Data

Packing unit	1 pc
GTIN	 4 046356 643344
GTIN	4046356643344
Weight per Piece (excluding packing)	20,000.000 g
Custom tariff number	85363090
Country of origin	United States

### Technical data

#### Dimensions

Height	500 mm
Width	400 mm
Depth	210 mm

#### Ambient conditions

Degree of protection	IP66 / NEMA 4X
Ambient temperature (operation)	-40 °C ... 80 °C

#### General

# Surge protection device - SYS N4X/I 277/480Y - 2800718

## Technical data

### General

NEMA power supply system	277/480 V Wye
Housing material	Stainless steel 1.4404
Mounting type	Surface/Wall mounting
Type	Housing for surface mounting
Surge protection fault message	Remote indication contact

### Protective circuit

IEC test classification	I + II
EN type	T1
Maximum continuous operating voltage $U_c$ (L-PE)	440 V AC
Response time $t_A$	$\leq 25$ ns
Follow current interrupt rating $I_f$	50 kA

### Connection, protective circuit

Connection technology	Screw connection
Conductor cross section flexible min.	16 mm <sup>2</sup>
Conductor cross section flexible max.	35 mm <sup>2</sup>
Conductor cross section solid min.	10 mm <sup>2</sup>
Conductor cross section solid max.	50 mm <sup>2</sup>
Conductor cross section AWG min.	6
Conductor cross section AWG max.	2

### Remote indication contact

Connection method	Screw connection
Conductor cross section flexible min.	0.14 mm <sup>2</sup>
Conductor cross section flexible max.	1.5 mm <sup>2</sup>
Conductor cross section solid min.	0.14 mm <sup>2</sup>
Conductor cross section solid max.	1.5 mm <sup>2</sup>
Conductor cross section AWG min.	28
Conductor cross section AWG max.	16

### NEMA / UL data

UL type	type 2
Nominal discharge current $I_n$ (without reference direction)	20 kA
Maximum Surge Current per Phase	50 kA
Short-circuit current rating (SCCR)	50 kA

### Standards and Regulations

Standards/regulations	ANSI/UL 1449:2014 Ed.4+R:17MAR2016
	IEC 60643-1

# Surge protection device - SYS N4X/I 277/480Y - 2800718

## Technical data

### Standards and Regulations

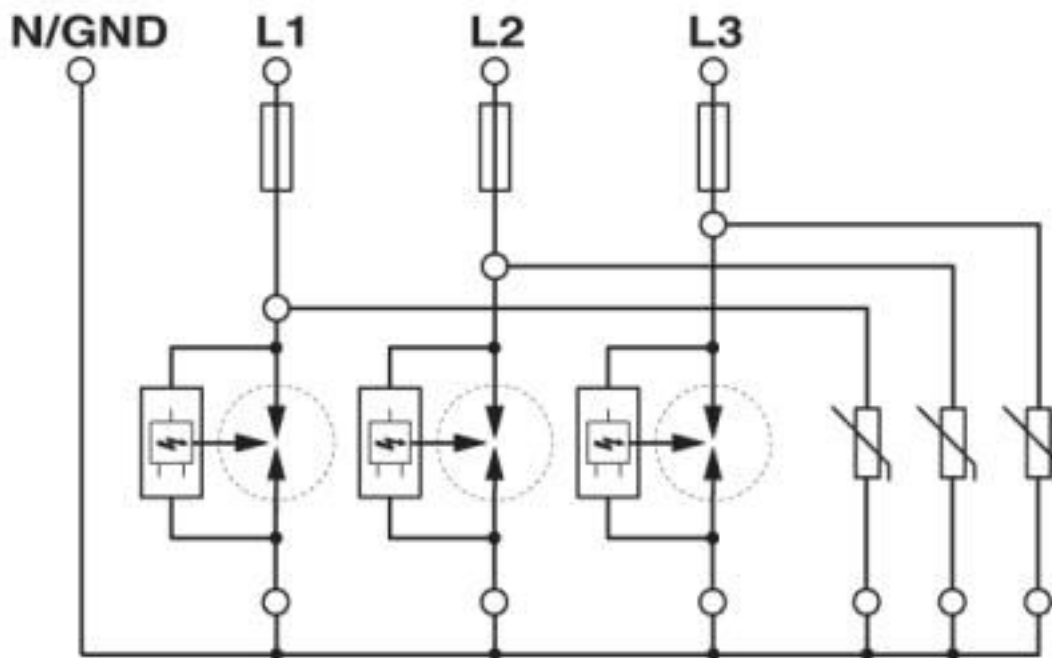
	EN 61643-11
	CAN/CSA-C22.2 No. 8:2013 Ed.5

### Environmental Product Compliance

REACH SVHC	Lead 7439-92-1
China RoHS	Environmentally Friendly Use Period = 50 years
	For details about hazardous substances go to tab "Downloads", Category "Manufacturer's declaration"

## Drawings

Circuit diagram



## Classifications

eCl@ss

eCl@ss 10.0.1	27130805
eCl@ss 4.0	27130800
eCl@ss 4.1	27130800
eCl@ss 5.0	27130800
eCl@ss 5.1	27130800

## Surge protection device - SYS N4X/I 277/480Y - 2800718

### Classifications

#### eCl@ss

eCl@ss 6.0	27130800
eCl@ss 7.0	27130805
eCl@ss 8.0	27130805
eCl@ss 9.0	27130805

#### ETIM

ETIM 3.0	EC000942
ETIM 4.0	EC000941
ETIM 5.0	EC000941
ETIM 6.0	EC000941
ETIM 7.0	EC000941

#### UNSPSC

UNSPSC 6.01	30212010
UNSPSC 7.0901	39121610
UNSPSC 11	39121610
UNSPSC 12.01	39121610
UNSPSC 13.2	39121620
UNSPSC 18.0	39121620
UNSPSC 19.0	39121620
UNSPSC 20.0	39121620
UNSPSC 21.0	39121620

## X-ON Electronics

Largest Supplier of Electrical and Electronic Components

*Click to view similar products for [Surge Suppressors](#) category:*

*Click to view products by [Phoenix Contact](#) manufacturer:*

Other Similar products are found below :

[1109673](#) [GUS1](#) [GUS12](#) [2800521](#) [FAS120AC](#) [2801234](#) [2801236](#) [2801551](#) [GT-SMD181240012-TR](#) [GUS11](#) [GUS2](#) [GUS3](#) [GUS4](#) [IE103](#)  
[SRA64C060X](#) [PC642C015](#) [1810-15-A3](#) [GT-SMD181215012-TR](#) [4B06B-EC1-150LF](#) [MAX14588ETE+T](#) [SRA6LC](#) [SP6-230-BFM](#) [DSL04-](#)  
[022SC6](#) [DSL04-018SC6](#) [DSL04-024SC6](#) [DSL04-008SC6](#) [DSL04-010SC6](#) [DSL04-016SC6](#) [DSL04-020SC6](#) [DSL04-012SC6](#)  
[BPMA75D100LV](#) [DSL04-005SC6](#) [CX06M](#) [CCTV1](#) [2910349](#) [2910386](#) [2910385](#) [LT4356MPMS-3](#) [GUS13](#) [GUS14](#) [GUS5](#) [GUS6](#) [2713162](#)  
[5053331](#) [VAL-SEC-T2-1S-350-FM](#) [2910346](#) [2910351](#) [2910375](#) [2910378](#) [2910383](#)