

Surge protection device - SYS N4X/I 480D - 2800722

Please be informed that the data shown in this PDF Document is generated from our Online Catalog. Please find the complete data in the user's documentation. Our General Terms of Use for Downloads are valid (<http://phoenixcontact.com/download>)




Combination lightning current arrester and TVSS system for ungrounded 480 V Delta systems

Product Description

Combination lightning current arrester and TVSS for 480 V Delta. Components are housed in an IP66/NEMA 4X cabinet and include phase indicator lamps.



Key Commercial Data

Packing unit	1 pc
GTIN	 4 046356 643382
GTIN	4046356643382
Weight per Piece (excluding packing)	1.000 g
Custom tariff number	85363090
Country of origin	United States

Technical data

Note

Trade restriction	The products are offered exclusively for export outside the EU and the European Economic Area.
-------------------	--

Dimensions

Height	500 mm
Width	400 mm
Depth	210 mm

Ambient conditions

Degree of protection	IP66 / NEMA 4X
----------------------	----------------

Surge protection device - SYS N4X/I 480D - 2800722

Technical data

Ambient conditions

Ambient temperature (operation)	-40 °C ... 80 °C
---------------------------------	------------------

General

NEMA power supply system	480 V Delta
Housing material	Stainless steel 1.4404
Mounting type	Surface/Wall mounting
Type	Housing for surface mounting
Surge protection fault message	Remote indication contact

Protective circuit

IEC test classification	I + II
EN type	T1
Maximum continuous operating voltage U_C (L-PE)	480 V AC
Response time t_A	≤ 25 ns
Follow current interrupt rating I_{fi}	50 kA

Connection, protective circuit

Connection technology	Screw connection
Conductor cross section flexible min.	16 mm ²
Conductor cross section flexible max.	35 mm ²
Conductor cross section solid min.	10 mm ²
Conductor cross section solid max.	50 mm ²
Conductor cross section AWG min.	6
Conductor cross section AWG max.	2

Remote indication contact

Connection method	Screw connection
Conductor cross section flexible min.	0.14 mm ²
Conductor cross section flexible max.	1.5 mm ²
Conductor cross section solid min.	0.14 mm ²
Conductor cross section solid max.	1.5 mm ²
Conductor cross section AWG min.	28
Conductor cross section AWG max.	16

NEMA / UL data

UL type	type 2
Nominal discharge current I_n (without reference direction)	20 kA
Maximum Surge Current per Phase	50 kA
Short-circuit current rating (SCCR)	50 kA

Surge protection device - SYS N4X/I 480D - 2800722

Technical data

Standards and Regulations

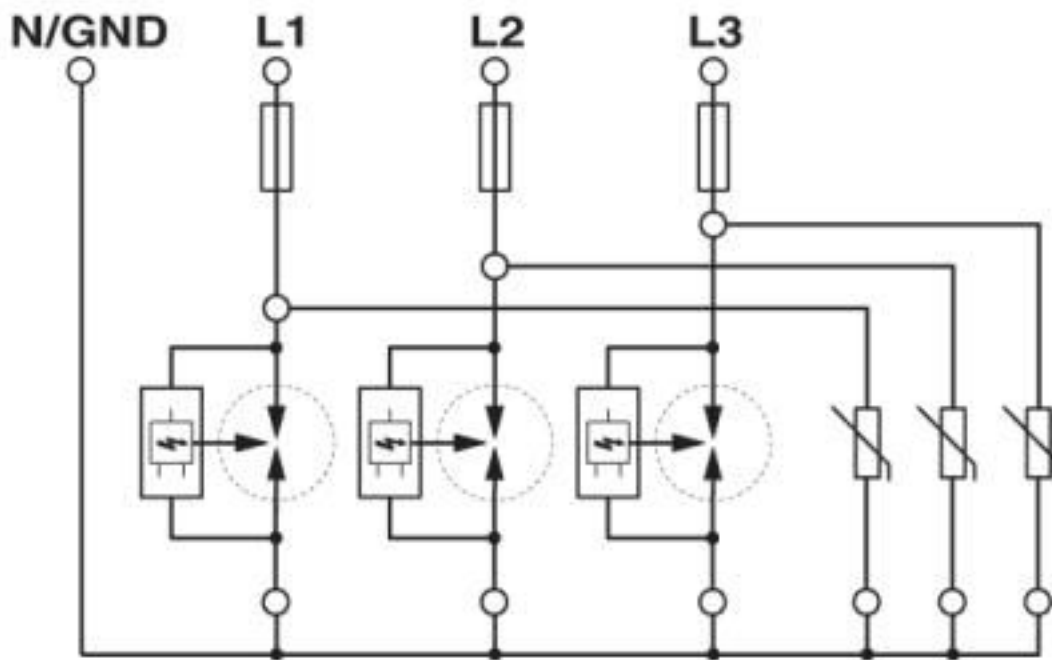
Standards/regulations	ANSI/UL 1449:2014 Ed.4+R:17MAR2016
	IEC 60643-1
	EN 61643-11
	CAN/CSA-C22.2 No. 8:2013 Ed.5

Environmental Product Compliance

REACH SVHC	Lead 7439-92-1
China RoHS	Environmentally Friendly Use Period = 50 years
	For details about hazardous substances go to tab "Downloads", Category "Manufacturer's declaration"

Drawings

Circuit diagram



Classifications

eCl@ss

eCl@ss 10.0.1	27130805
eCl@ss 4.0	27130800
eCl@ss 4.1	27130800

Surge protection device - SYS N4X/I 480D - 2800722

Classifications

eCl@ss

eCl@ss 5.0	27130800
eCl@ss 5.1	27130800
eCl@ss 6.0	27130800
eCl@ss 7.0	27130805
eCl@ss 8.0	27130805
eCl@ss 9.0	27130805

ETIM

ETIM 3.0	EC000942
ETIM 4.0	EC000941
ETIM 5.0	EC000941
ETIM 6.0	EC000941
ETIM 7.0	EC000941

UNSPSC

UNSPSC 6.01	30212010
UNSPSC 7.0901	39121610
UNSPSC 11	39121610
UNSPSC 12.01	39121610
UNSPSC 13.2	39121620
UNSPSC 18.0	39121620
UNSPSC 19.0	39121620
UNSPSC 20.0	39121620
UNSPSC 21.0	39121620

Approvals

Approvals

Approvals

ETLus / cETL / EAC / cETLus


Ex Approvals


Approval details

Surge protection device - SYS N4X/I 480D - 2800722

Approvals

ETLus		http://www.intertek.com	Surge Protective Dev
-------	---	---	----------------------

cETL		http://www.intertek.com	EMI Filters
------	---	---	-------------

EAC			RU C- DE.*09.B.00169
-----	---	--	-------------------------

cETLus			
--------	---	--	--

X-ON Electronics

Largest Supplier of Electrical and Electronic Components

Click to view similar products for [Surge Suppressors](#) category:

Click to view products by [Phoenix Contact](#) manufacturer:

Other Similar products are found below :

[1109673](#) [GUS1](#) [GUS12](#) [2800521](#) [FAS120AC](#) [2801234](#) [2801236](#) [2801551](#) [GT-SMD181240012-TR](#) [GUS11](#) [GUS2](#) [GUS3](#) [GUS4](#) [IE103](#)
[SRA64C060X](#) [PC642C015](#) [1810-15-A3](#) [GT-SMD181215012-TR](#) [4B06B-EC1-150LF](#) [MAX14588ETE+T](#) [SRA6LC](#) [SP6-230-BFM](#) [DSL04-](#)
[022SC6](#) [DSL04-018SC6](#) [DSL04-024SC6](#) [DSL04-008SC6](#) [DSL04-010SC6](#) [DSL04-016SC6](#) [DSL04-020SC6](#) [DSL04-012SC6](#)
[BPMA75D100LV](#) [DSL04-005SC6](#) [CX06M](#) [CCTV1](#) [2910349](#) [2910386](#) [2910385](#) [LT4356MPMS-3](#) [GUS13](#) [GUS14](#) [GUS5](#) [GUS6](#) [2713162](#)
[5053331](#) [5053335](#) [VAL-SEC-T2-1S-350-FM](#) [2910346](#) [2910351](#) [2910375](#) [2910378](#)