

## Surge protection device - D-LAN-CAT.5-FP - 2800723

Please be informed that the data shown in this PDF Document is generated from our Online Catalog. Please find the complete data in the user's documentation. Our General Terms of Use for Downloads are valid (<http://phoenixcontact.com/download>)




Fine surge protection for data networks up to 1 Gbps. For use in Ethernet, Power over Ethernet (PoE, mode A and mode B), token ring, ISDN, and DS1. RJ45 attachment plug with separate grounding cable and snap-on foot for NS 35 DIN rails.

### Your advantages

- ✓ Reliable transmission speeds up to 1 Gbps
- ✓ Protective adapter for eight signal paths via RJ45 connector
- ✓ Category 5 and category 6 data networks



### Key Commercial Data

Packing unit	1 pc
GTIN	 4 046356 730273
GTIN	4046356730273

### Technical data

#### Dimensions

Height	110 mm
Width	28 mm
Depth	60 mm (incl. NS 35 adapter)

#### Ambient conditions

Ambient temperature (operation)	-40 °C ... 85 °C
Permissible humidity (operation)	5 % ... 95 %
Degree of protection	IP20

#### General

Housing material	ABS
Flammability rating according to UL 94	V0
Color	gray
Standards for clearances and creepage distances	IEC 60664

# Surge protection device - D-LAN-CAT.5-FP - 2800723

## Technical data

### General

Mounting type	Connection-specific attachment plug and DIN rail, 35 mm
Type	Attachment plug for DIN rail mounting
Number of positions	8
Direction of action	Line-Line & Line-Ground/Shield

### Protective circuit

IEC test classification	B2
	C1
VDE requirement class	B2
	C1
Maximum continuous voltage $U_c$	$\pm 48$ V DC
Maximum continuous voltage $U_c$ (wire-wire)	$\pm 5$ V DC ( $\pm 57$ V DC / PoE+)
Nominal current $I_N$	$\leq 1.5$ A (25 °C)
Operating effective current $I_c$ at $U_c$	$\leq 600$ $\mu$ A
Nominal discharge current $I_n$ (8/20) $\mu$ s (line-line)	350 A
Nominal discharge current $I_n$ (8/20) $\mu$ s (line-earth)	350 A
Nominal pulse current $I_{an}$ (10/700) $\mu$ s (line-line)	$\leq 25$ A
Nominal pulse current $I_{an}$ (10/700) $\mu$ s (line-earth)	$\leq 25$ A
Output voltage limitation at 1 kV/ $\mu$ s (line-line) spike	$\leq 25$ V
	$\leq 90$ V (PoE)
Output voltage limitation at 1 kV/ $\mu$ s (line-earth) spike	$\leq 750$ V
Output voltage limitation at 1 kV/ $\mu$ s (line-line) static	$\leq 25$ V
Output voltage limitation at 1 kV/ $\mu$ s (line-earth) static	$\leq 750$ V
Residual voltage at $I_n$ (line-line)	$\leq 35$ V (C1 - 350 A)
	$\leq 110$ V (C1 - 350 A)
Residual voltage at $I_n$ (line-earth)	$\leq 700$ V (C1 - 350 A)
Voltage protection level $U_p$ (line-line)	$\leq 20$ V (B2 - 1 kV / 25 A)
	$\leq 90$ V (B2 - 1 kV / 25 A - PoE)
	$\leq 35$ V (C1 - 700 V/350 A)
	$\leq 110$ V (C1 - 700 V/350 A - PoE)
Voltage protection level $U_p$ (line-earth)	$\leq 700$ V (B2 - 1 kV / 25 A)
	$\leq 700$ V (C1 - 700 V/350 A)
Response time $t_A$ (line-line)	$\leq 1$ ns
Response time $t_A$ (line-earth)	$\leq 100$ ns
Input attenuation aE, sym.	$\leq 1$ dB (100 MHz/100 $\Omega$ )
Near-end crosstalk attenuation	$\leq 63.3$ dB (1 MHz/100 $\Omega$ )
	$\leq 43.6$ dB (16 MHz/100 $\Omega$ )
	$\leq 30.1$ dB (100 MHz/100 $\Omega$ )
Cut-off frequency $f_g$ (3 dB), sym. in 100 Ohm system	250 MHz
Capacity (line-line)	typ. 15 pF (f= 1 MHz / VR= 0 V)
Capacity (line-earth)	typ. 5 pF (f= 1 MHz / VR= 0 V)

# Surge protection device - D-LAN-CAT.5-FP - 2800723

## Technical data

### Protective circuit

Impulse durability (line-line)	B2 - 1 kV / 25 A
	C1 - 700 V / 350 A
Impulse durability (line-earth)	B2 - 1 kV/25 A
	C1 - 700 V/350 A

### Connection data

Connection method	RJ45
Connection method IN	RJ45 socket
Connection method OUT	RJ45 socket

### Connection, equipotential bonding

Connection method	Cable connection
-------------------	------------------

### Standards and Regulations

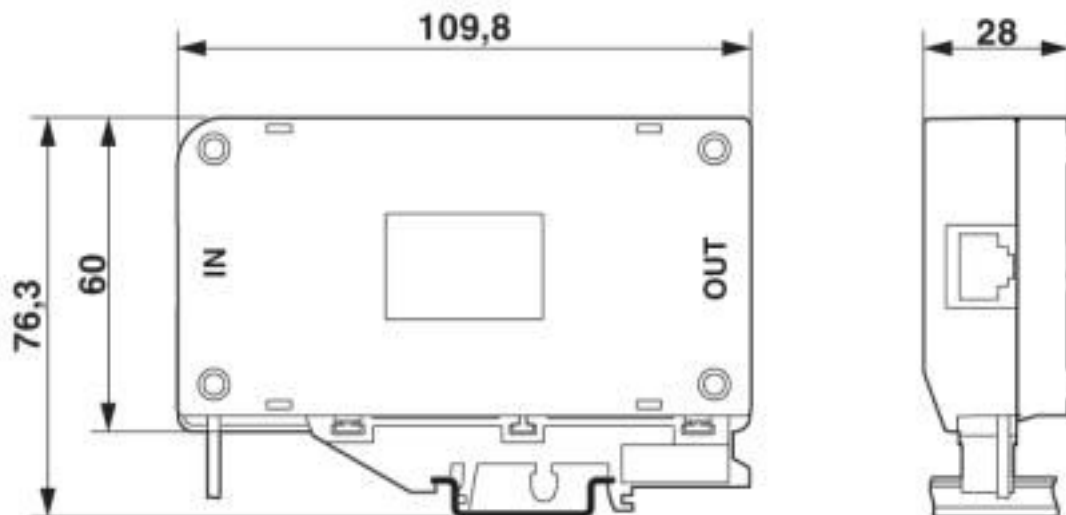
Standards/specifications	IEC 61643-21/A1 2008
	GB/T 18802.21 2004
	EN 61643-21/A1 2009

### Environmental Product Compliance

REACH SVHC	Lead 7439-92-1
------------	----------------

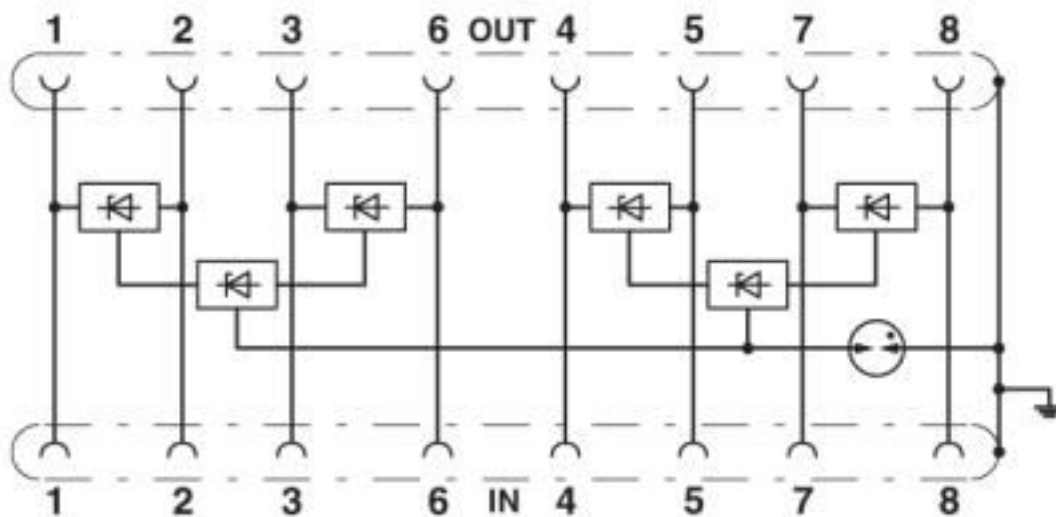
## Drawings

Dimensional drawing



# Surge protection device - D-LAN-CAT.5-FP - 2800723

Circuit diagram



## Classifications

eCl@ss

eCl@ss 10.0.1	27130807
eCl@ss 4.0	27130800
eCl@ss 4.1	27130800
eCl@ss 5.0	27130800
eCl@ss 5.1	27130800
eCl@ss 6.0	27130800
eCl@ss 7.0	27130807
eCl@ss 8.0	27130807
eCl@ss 9.0	27130807

ETIM

ETIM 3.0	EC000943
ETIM 4.0	EC000943
ETIM 5.0	EC000943
ETIM 6.0	EC000943
ETIM 7.0	EC000943

UNSPSC

UNSPSC 6.01	30212010
UNSPSC 7.0901	39121610
UNSPSC 11	39121610
UNSPSC 12.01	39121610
UNSPSC 13.2	39121620
UNSPSC 18.0	39121620
UNSPSC 19.0	39121620

# Surge protection device - D-LAN-CAT.5-FP - 2800723

## Classifications

### UNSPSC

UNSPSC 20.0	39121620
UNSPSC 21.0	39121620

## Approvals

### Approvals

---

#### Approvals

UL Listed / EAC / EAC

---

#### Ex Approvals

---

## Approval details

UL Listed		<a href="http://database.ul.com/cgi-bin/XYV/template/LISEXT/1FRAME/index.htm">http://database.ul.com/cgi-bin/XYV/template/LISEXT/1FRAME/index.htm</a>	FILE E 138168
-----------	--	---	---------------

EAC		EAC-Zulassung
-----	--	---------------

EAC		RU C-DE.*09.B.00169
-----	--	---------------------

## Accessories

### Accessories

#### Patch cable

Patch cable - FL CAT6 PATCH 0,5 - 2891288



Patch cable, CAT6, pre-assembled, 0.5 m

---

## Surge protection device - D-LAN-CAT.5-FP - 2800723

### Accessories

Patch cable - FL CAT6 PATCH 1,0 - 2891385



Patch cable, CAT6, pre-assembled, 1.0 m

---

Patch cable - FL CAT6 PATCH 2,0 - 2891589



Patch cable, CAT6, pre-assembled, 2.0 m

---

---

Phoenix Contact 2020 © - all rights reserved  
<http://www.phoenixcontact.com>

PHOENIX CONTACT GmbH & Co. KG  
Flachsmarktstr. 8  
32825 Blomberg  
Germany  
Tel. +49 5235 300  
Fax +49 5235 3 41200  
<http://www.phoenixcontact.com>

## X-ON Electronics

Largest Supplier of Electrical and Electronic Components

*Click to view similar products for [Surge Suppressors](#) category:*

*Click to view products by [Phoenix Contact](#) manufacturer:*

Other Similar products are found below :

[GUS1](#) [GUS12](#) [BSPM1A600D600LVR](#) [2800521](#) [29-2053](#) [GUS11](#) [GUS2](#) [GUS3](#) [30460](#) [SRA64C060X](#) [PC642C015](#) [1810-15-A3](#) [2713175](#)  
[4B06B-EC1-150LF](#) [SRA6LC](#) [BPMA75D100LV](#) [CX06M](#) [CCTV1](#) [GUS13](#) [GUS14](#) [GUS5](#) [GUS6](#) [VAL-MS 320/3+0-FM](#) [VAL-US-](#)  
[120/40/1+1-FM](#) [VAL-US-120/65/1+1-FM](#) [VAL-US-480D/30/3+0-FM](#) [VAL-US-120/40/1+0-FM](#) [LP-BFDN-CW](#) [LP-STRL-NFF](#) [LP-STRL-](#)  
[DFF](#) [GUS22](#) [0804111](#) [5053609](#) [5053201](#) [SPD2-150-1P0](#) [SPD2-550-1P0](#) [6720005416](#) [6720005417](#) [1-2191595-2](#) [STC-CAT6-P0E-I](#) [SPD2-](#)  
[350-1P0](#) [FLT-CP-350-ST](#) [TTC-6P-3-HF-F-M-12DC-UT-I](#) [SMTPA200](#) [2800989](#) [2906776](#) [2906810](#) [2906847](#) [2906848](#) [2906851](#)