

# Surge protection device - TT-ST-2-PE/S2-24DC - 2801458


Please be informed that the data shown in this PDF Document is generated from our Online Catalog. Please find the complete data in the user's documentation. Our General Terms of Use for Downloads are valid (<http://phoenixcontact.com/download>)



Double-level modular terminal block with two-stage surge protection for one two-wire impedance-sensitive signal circuit, separate ground connection, nominal voltage: 24 V DC.



## Key Commercial Data

Packing unit	10 pc
GTIN	 4 046356 769204
GTIN	4046356769204

## Technical data

### Dimensions

Height	100 mm
Width	6.2 mm
Depth	63.5 mm (incl. DIN rail 7.5 mm)

### Ambient conditions

Ambient temperature (operation)	-40 °C ... 80 °C
Ambient temperature (storage/transport)	-40 °C ... 85 °C
Altitude	≤ 2000 m
Degree of protection	IP20

### General

Housing material	PA 6.6
Flammability rating according to UL 94	V-0
Color	black
Standards for clearances and creepage distances	IEC 60664-1
Mounting type	DIN rail: 35 mm
Type	Double-level terminal block

# Surge protection device - TT-ST-2-PE/S2-24DC - 2801458

## Technical data

### General

Number of positions	2
Direction of action	Line-Line & Line-Earth Ground

### Protective circuit

IEC test classification	C1
	C2
	C3
	D1
VDE requirement class	C1
	C2
	C3
	D1
Nominal voltage $U_N$	24 V DC
Maximum continuous voltage $U_C$	30 V DC
	21 V AC
Rated current	6 A (40 °C)
Operating effective current $I_C$ at $U_C$	$\leq 1 \mu A$
Residual current $I_{PE}$	$\leq 1 \mu A$
Nominal discharge current $I_n$ (8/20) $\mu s$ (line-line)	300 A
Nominal discharge current $I_n$ (8/20) $\mu s$ (line-earth)	5 kA
Pulse discharge current $I_{imp}$ (10/350) $\mu s$	500 A (per path)
Total discharge current $I_{total}$ (8/20) $\mu s$	5 kA
Nominal pulse current $I_{an}$ (10/1000) $\mu s$ (line-line)	25 A
Nominal pulse current $I_{an}$ (10/1000) $\mu s$ (line-earth)	50 A
Output voltage limitation at 1 kV/ $\mu s$ (line-line) spike	$\leq 45 V$
Output voltage limitation at 1 kV/ $\mu s$ (line-earth) spike	$\leq 800 V$
Output voltage limitation at (8/20) $\mu s$ (line-line)	$\leq 50 V$ (at 300 A)
Output voltage limitation at (8/20) $\mu s$ (line-earth)	$\leq 750 V$ (at 500 A)
	$\leq 1.25 kV$ (at 5 kA)
Residual voltage at $I_n$ (line-line)	$\leq 50 V$ (at 300 A)
Residual voltage at $I_n$ (line-earth)	$\leq 750 V$ (at 500 A)
	$\leq 1.25 kV$ (at 5 kA)
Residual voltage with $I_{an}$ (10/1000) $\mu s$ (line-line)	$\leq 45 V$ (at 25 A)
Residual voltage with $I_{an}$ (10/1000) $\mu s$ (line-earth)	$\leq 1.1 kV$ (at 50 A)
Voltage protection level $U_p$ (line-line)	$\leq 50 V$ (C1 - 0,6 kV / 300 A)
	$\leq 45 V$ (C3 - 25 A)
	$\leq 45 V$ (1 kV/ $\mu s$ )
Voltage protection level $U_p$ (line-earth)	$\leq 1.25 kV$ (C2 - 10 kV / 5 kA)
	$\leq 1.1 kV$ (C3 - 50 A)
	$\leq 750 V$ (C1 - 1 kV/500 A)
	$\leq 800 V$ (1 kV/ $\mu s$ )

# Surge protection device - TT-ST-2-PE/S2-24DC - 2801458

## Technical data

### Protective circuit

Response time $t_A$ (line-line)	$\leq 1$ ns
Response time $t_A$ (line-earth)	$\leq 100$ ns
Input attenuation aE, sym.	typ. 0.3 dB (330 kHz/150 $\Omega$ )
	typ. 0.3 dB (1.1 kHz / 50 $\Omega$ )
Cut-off frequency $f_g$ (3 dB), sym. in 50 Ohm system	typ. 3.3 MHz
Cut-off frequency $f_g$ (3 dB), sym. in 150 Ohm system	typ. 1 MHz
Capacity (line-line)	$\leq 2$ nF
Surge protection fault message	none
Max. required back-up fuse	6.3 A (T/IEC 60127-2/3)
Impulse durability (line-line)	C1 - 0,6 kV / 300 A
	C3 - 25 A
Impulse durability (line-earth)	C2 - 10 kV/5 kA
	D1 - 500 A
	C1 - 1 kV/500 A
	C3 - 50 A
Pulse reset time (line-earth)	$\leq 700$ ms, at $U_c$ and 10 A
Overload failure mode (line-line)	Mode 2

### Connection data

Connection method	Spring-cage connection
Connection method IN	Spring-cage
Connection method OUT	Spring-cage
Conductor cross section flexible	0.2 mm <sup>2</sup> ... 2.5 mm <sup>2</sup>
Conductor cross section solid	0.2 mm <sup>2</sup> ... 4 mm <sup>2</sup>
Conductor cross section AWG	24 ... 12

### Connection, equipotential bonding

Connection method	Spring-cage connection
Conductor cross section flexible min.	0.2 mm <sup>2</sup>
Conductor cross section flexible max.	2.5 mm <sup>2</sup>
Conductor cross section solid min.	0.2 mm <sup>2</sup>
Conductor cross section solid max.	4 mm <sup>2</sup>
Conductor cross section AWG min.	24
Conductor cross section AWG max.	12

### Standards and Regulations

Standards/specifications	IEC 61643-21/A1 2008
	EN 61643-21/A1 2009

### Environmental Product Compliance

REACH SVHC	Lead 7439-92-1
China RoHS	Environmentally friendly use period: unlimited = EFUP-e

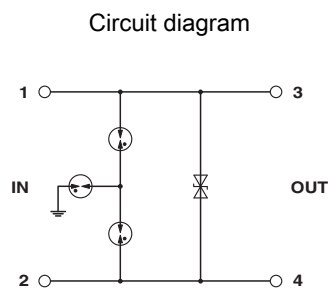
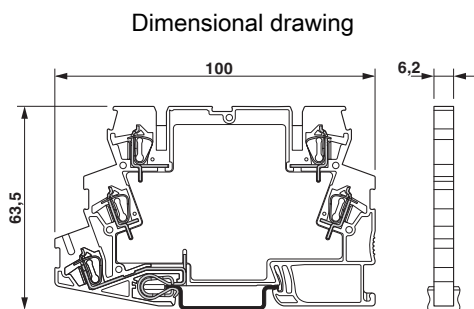
# Surge protection device - TT-ST-2-PE/S2-24DC - 2801458

## Technical data

### Environmental Product Compliance

	No hazardous substances above threshold values
--	--

## Drawings



## Approvals

### Approvals

---

Approvals

UL Listed / DNV GL

---

Ex Approvals

---

### Approval details

UL Listed		<a href="http://database.ul.com/cgi-bin/XYV/template/LISEXT/1FRAME/index.htm">http://database.ul.com/cgi-bin/XYV/template/LISEXT/1FRAME/index.htm</a>	FILE E 138168
-----------	--	---	---------------

DNV GL	<a href="http://exchange.dnv.com/tari/">http://exchange.dnv.com/tari/</a>	TAE00001N7
--------	---	------------

Phoenix Contact 2018 © - all rights reserved  
<http://www.phoenixcontact.com>

PHOENIX CONTACT GmbH & Co. KG  
 Flachsmarktstr. 8  
 32825 Blomberg  
 Germany  
 Tel. +49 5235 300  
 Fax +49 5235 3 41200  
<http://www.phoenixcontact.com>

## X-ON Electronics

Largest Supplier of Electrical and Electronic Components

*Click to view similar products for [Pluggable Terminal Blocks](#) category:*

*Click to view products by [Phoenix Contact](#) manufacturer:*

Other Similar products are found below :

[57.510.0053](#) [MC 1.5/ 6-ST-3.5 GY AU](#) [734-104](#) [734-302](#) [8-141-P](#) [8426620000](#) [860505](#) [860810](#) [GBPACX-12](#) [93.731.4953.0](#) [PV05-5,08-K](#)  
[PVP02-5,00](#) [PVP03-3,50](#) [PVP04-3,50](#) [PVS02-5,00](#) [1-1986160-3](#) [1377680000](#) [1531000000](#) [1546228-5](#) [ELFH16150](#) [ELFP03110](#)  
[ELFP10210](#) [ELFT06250](#) [ELVP03100](#) [1700101](#) [1700410](#) [1700425](#) [1702246](#) [1705229](#) [1710175](#) [1714537](#) [1717806](#) [1719600](#) [1728941](#)  
[1734692](#) [1734795](#) [1736036](#) [1740194](#) [1740291](#) [1740628](#) [1740990](#) [1746952](#) [1750207](#) [1752441](#) [1752865](#) [1754115](#) [1754144](#) [1756913](#)  
[1760051](#) [1760336](#)