

Surge protection device - PT-IQ-2X2-EX-24DC-UT - 2801513


Please be informed that the data shown in this PDF Document is generated from our Online Catalog. Please find the complete data in the user's documentation. Our General Terms of Use for Downloads are valid (<http://phoenixcontact.com/download>)



Surge protection, consisting of protective plug and base element, with integrated multi-stage status indicator on the module for two 2-wire floating Ex-i signal circuits. HART-compatible.



Key Commercial Data

| | |
|--------------|---|
| Packing unit | 1 pc |
| GTIN |  4 046356 801232 |
| GTIN | 4046356801232 |

Technical data

Dimensions

| | |
|------------------|---------------------------------|
| Height | 91.1 mm |
| Width | 17.7 mm |
| Depth | 77.5 mm (incl. DIN rail 7.5 mm) |
| Horizontal pitch | 1 Div. |

Ambient conditions

| | |
|---|--|
| Ambient temperature (operation) | -40 °C ... 70 °C |
| Ambient temperature (storage/transport) | -40 °C ... 85 °C |
| Altitude | ≤ 2000 m (amsl (above mean sea level)) |
| Degree of protection | IP20 |

General

| | |
|--|--|
| Housing material | PA 6.6 |
| Flammability rating according to UL 94 | V-0 |
| Color | black |
| Mounting type | DIN rail: 35 mm |
| Type | DIN rail module, two-section, divisible |
| Direction of action | Line-Line & Line-Signal Ground/Shield & optional Signal Ground/Shield-Earth Ground |

Surge protection device - PT-IQ-2X2-EX-24DC-UT - 2801513

Technical data

Protective circuit

| | |
|---|---|
| IEC test classification | C1 |
| | C2 |
| | C3 |
| | D1 |
| Nominal voltage U_N | 24 V DC |
| Maximum continuous voltage U_C | 30 V DC |
| | 21 V AC |
| Rated current | 350 mA |
| Operating effective current I_C at U_C | $\leq 5 \mu\text{A}$ (per system) |
| Residual current I_{PE} | $\leq 100 \text{ nA}$ (per system) |
| Nominal discharge current I_n (8/20) μs (line-line) | 10 kA |
| Nominal discharge current I_n (8/20) μs (line-earth) | 10 kA |
| Pulse discharge current I_{imp} (10/350) μs (line-earth) | 2 kA |
| Total discharge current I_{total} (8/20) μs | 20 kA |
| Voltage protection level U_p (line-line) | $\leq 60 \text{ V}$ (C1 - 1 kV/500 A) |
| | $\leq 110 \text{ V}$ (C2 - 10 kV / 5 kA) |
| | $\leq 140 \text{ V}$ (C2 - 10 kA) |
| | $\leq 50 \text{ V}$ (C3 - 25 A) |
| | $\leq 55 \text{ V}$ (C3 - 100 A) |
| Voltage protection level U_p (line-earth) | $\leq 1.3 \text{ kV}$ (C2 - 10 kV / 5 kA) |
| | $\leq 1.5 \text{ kV}$ (C2 - 10 kA) |
| | $\leq 1.3 \text{ kV}$ (C3 - 100 A) |
| Response time t_A (line-line) | $\leq 1 \text{ ns}$ |
| Response time t_A (line-earth) | $\leq 100 \text{ ns}$ |
| Input attenuation aE, sym. | typ. 0.3 dB ($\leq 300 \text{ kHz} / 150 \Omega$) |
| Cut-off frequency f_g (3 dB), sym. in 150 Ohm system | typ. 1.1 MHz |
| Capacity (line-earth) | typ. 2 nF |
| Resistance per path | 1.2 $\Omega \pm 5 \%$ |
| Surge protection fault message | Optical, multi-stage |
| Max. required back-up fuse | 350 mA (F) |
| Impulse durability (line-line) | C1 - 1 kV / 500 A |
| | C2 - 10 kA |
| | C3 - 100 A |
| Impulse durability (line-earth) | C2 - 10 kA |
| | D1 - 2 kA |
| Pulse reset time (line-line) | $\leq 30 \text{ ms}$ |
| Pulse reset time (line-earth) | $\leq 30 \text{ ms}$ |

Connection data

| | |
|-------------------|------------------|
| Connection method | Screw connection |
|-------------------|------------------|

Surge protection device - PT-IQ-2X2-EX-24DC-UT - 2801513

Technical data

Connection data

| | |
|----------------------------------|---|
| Screw thread | M3 |
| Tightening torque | 0.5 Nm |
| Stripping length | 8 mm |
| Conductor cross section flexible | 0.2 mm ² ... 2.5 mm ² |
| Conductor cross section solid | 0.2 mm ² ... 4 mm ² |
| Conductor cross section AWG | 24 ... 12 |

Connection, equipotential bonding

| | |
|-------------------|---------------|
| Connection method | DIN rail NS35 |
|-------------------|---------------|

Remote indication contact

| | |
|--------------------|------------------------|
| Switching function | via DIN rail connector |
|--------------------|------------------------|

Standards and Regulations

| | |
|--------------------------|----------------------|
| Standards/specifications | EN 61643-21 A2:2013 |
| | IEC 61643-21 A2:2012 |
| | EN 61000-6-2 2005 |
| | EN 61000-6-3 A1:2011 |

General

| | |
|---------------------------------|-----------------------|
| Maximum inner capacitance C_i | negligible |
| Max. internal inductance L_i | negligible |
| Max. input current I_i | 350 mA |
| Max. input voltage U_i | 30 V DC |
| max. input power P_i | 1.2 W |
| Insulation voltage to ground | > 500 V AC |
| Standards/specifications | EN 60079-0 2012 |
| | EN 60079-11 2012 |
| | EN 60079-15 2010 |
| | IEC 60079-0 2012 |
| | IEC 60079-11 2012 |
| | IEC 60079-15 2010 |
| Ambient temperature (operation) | -40 °C ... 50 °C (T6) |
| | -40 °C ... 70 °C (T4) |

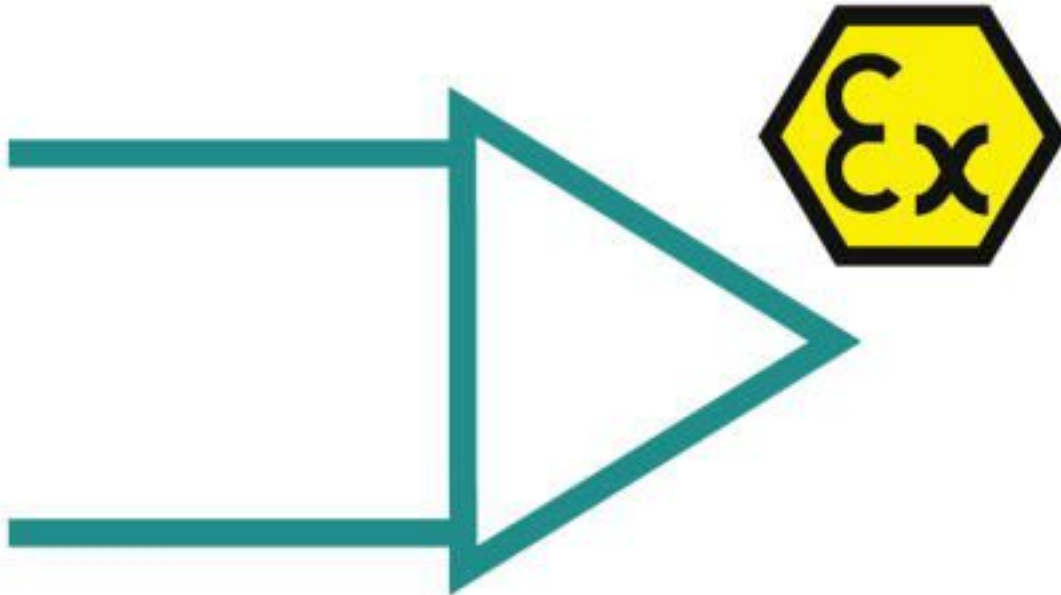
Environmental Product Compliance

| | |
|------------|---|
| REACH SVHC | Lead 7439-92-1 |
| China RoHS | Environmentally Friendly Use Period = 50 years |
| | For details about hazardous substances go to tab "Downloads", Category "Manufacturer's declaration" |

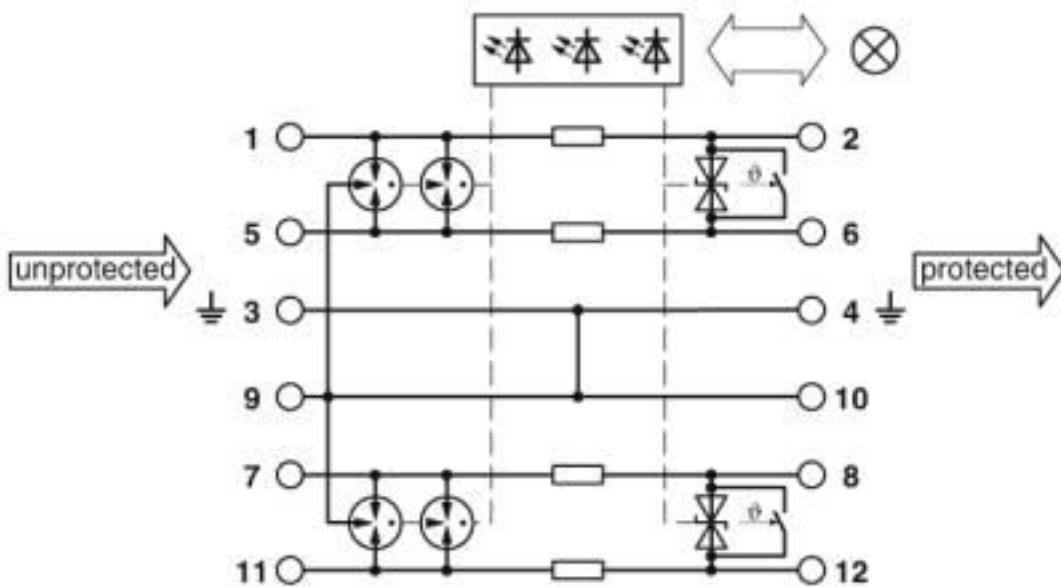
Drawings

Surge protection device - PT-IQ-2X2-EX-24DC-UT - 2801513

Pictogram



Circuit diagram



Classifications

eCl@ss

| | |
|---------------|----------|
| eCl@ss 10.0.1 | 27130807 |
| eCl@ss 4.0 | 27130800 |
| eCl@ss 4.1 | 27130800 |
| eCl@ss 5.0 | 27130800 |
| eCl@ss 5.1 | 27130800 |

Surge protection device - PT-IQ-2X2-EX-24DC-UT - 2801513

Classifications

eCl@ss

| | |
|------------|----------|
| eCl@ss 6.0 | 27130800 |
| eCl@ss 7.0 | 27130807 |
| eCl@ss 8.0 | 27130807 |
| eCl@ss 9.0 | 27130807 |

ETIM

| | |
|----------|----------|
| ETIM 3.0 | EC000943 |
| ETIM 4.0 | EC000943 |
| ETIM 5.0 | EC000943 |
| ETIM 6.0 | EC000943 |
| ETIM 7.0 | EC000943 |

UNSPSC

| | |
|---------------|----------|
| UNSPSC 6.01 | 30212010 |
| UNSPSC 7.0901 | 39121610 |
| UNSPSC 11 | 39121610 |
| UNSPSC 12.01 | 39121610 |
| UNSPSC 13.2 | 39121620 |
| UNSPSC 18.0 | 39121620 |
| UNSPSC 19.0 | 39121620 |
| UNSPSC 20.0 | 39121620 |
| UNSPSC 21.0 | 39121620 |

Approvals

Approvals

Approvals

UL Listed

Ex Approvals

IECEX / ATEX / UL Listed / cUL Listed / EAC Ex / cULus Listed

Approval details

| | | | |
|-----------|--|---|---------------|
| UL Listed | | http://database.ul.com/cgi-bin/XYV/template/LISEXT/1FRAME/index.htm | FILE E 138168 |
|-----------|--|---|---------------|

Accessories

Accessories

Surge protection device - PT-IQ-2X2-EX-24DC-UT - 2801513

Accessories

Device marking

Zack marker strip - ZBN 18:UNBEDRUCKT - 2809128



Zack marker strip, Strip, white, unlabeled, can be labeled with: CMS-P1-PLOTTER, PLOTMARK, mounting type: snap into tall marker groove, for terminal block width: 18 mm, lettering field size: 18 x 5 mm, Number of individual labels: 5

Labeled terminal marker

Zack Marker strip, flat - ZBF 5,LGS:FORTL.ZAHLEN - 0808671



Zack Marker strip, flat, Strip, white, labeled, printed horizontally: consecutive numbers 1 ... 10, 11 ... 20, etc. up to 491 ... 500, mounting type: snap into flat marker groove, for terminal block width: 5 mm, lettering field size: 5.15 x 5.15 mm, Number of individual labels: 10

Zack Marker strip, flat - ZBF 5,LGS:GERADE ZAHLEN - 0810821



Zack Marker strip, flat, Strip, white, labeled, printed horizontally: consecutive numbers 2 ... 20, 22 ... 40, etc. up to 82 ... 100, mounting type: snap into flat marker groove, for terminal block width: 5 mm, lettering field size: 5.15 x 5.15 mm, Number of individual labels: 10

Zack Marker strip, flat - ZBF 5,LGS:UNGERADE ZAHLEN - 0810863



Zack Marker strip, flat, Strip, white, labeled, printed horizontally: Odd numbers 1 - 19, 21 - 39, etc. up to 81 - 99, mounting type: snap into flat marker groove, for terminal block width: 5 mm, lettering field size: 5.15 x 5.15 mm, Number of individual labels: 10

Zack Marker strip, flat - ZBF 5,QR:FORTL.ZAHLEN - 0808697



Zack Marker strip, flat, Strip, white, labeled, Printed vertically: consecutive numbers 1 ... 10, 11 ... 20, etc. up to 91 ... 100, mounting type: snap into flat marker groove, for terminal block width: 5 mm, lettering field size: 5.15 x 5.15 mm, Number of individual labels: 10

Marker pen

Surge protection device - PT-IQ-2X2-EX-24DC-UT - 2801513

Accessories

Marker pen - X-PEN 0,35 - 0811228



Marker pen without ink cartridge, for manual labeling of markers, labeling extremely wipe-proof, line thickness 0.35 mm

Mounting material

End clamp - E/ME TBUS NS35 GY - 2713780



End clamp, stable construction for DIN rail bus connector

Terminal marking

Zack Marker strip, flat - ZBF 5:UNBEDRUCKT - 0808642



Zack Marker strip, flat, Strip, white, unlabeled, can be labeled with: PLOTMARK, CMS-P1-PLOTTER, mounting type: snap into flat marker groove, for terminal block width: 5 mm, lettering field size: 5.1 x 5.2 mm, Number of individual labels: 10

Zack Marker strip, flat - ZBF 5/WH-100:UNBEDRUCKT - 0808668



Zack Marker strip, flat, Strip, white, unlabeled, can be labeled with: CMS-P1-PLOTTER, PLOTMARK, mounting type: snap into flat marker groove, for terminal block width: 5 mm, lettering field size: 5.15 x 5.15 mm, Number of individual labels: 10

Necessary add-on products

Separating plate - PT-IQ-EX-L-PP - 2905023



Partition plate for NS-35/7,5 DIN rails to ensure a clearance of 50 mm between the controller and surge protection for PT-IQ-EX systems.

Surge protection device - PT-IQ-2X2-EX-24DC-UT - 2801513

Accessories

Separating plate - PT-IQ-EX-H-PP - 2905024



Partition plate for NS-35/7,5 isolated DIN rails (DIN rail is isolated using the AB/NS support bracket) to ensure a clearance of 50 mm between the controller and surge protection for PT-IQ-EX systems.

Supply and remote module - PT-IQ-PTB-UT - 2800768



Module for power supply and multi-stage, floating remote signaling of connected surge protection modules.

Additional products

Shield connection - SSA 3-6 - 2839295



Shield fast connection for 3 ... 6 mm cable diameter. Potential connecting cable: 200 mm, 1 mm², color: black

Shield connection - SSA 5-10 - 2839512



Shield fast connection for 5 ... 10 mm cable diameter. Potential connecting cable: 200 mm, 1 mm², color: black

Spare parts

Surge protection plug - PT-IQ-2X2-EX-24DC-P - 2801515



Surge protection plug with integrated multi-stage status indicator on the module for two 2-wire floating Ex-i signal circuits. Nominal voltage: 24 V DC

Surge protection device - PT-IQ-2X2-EX-24DC-UT - 2801513

Accessories

Surge protection base element - PT-IQ-5-EX-BE-UT - 2905497



Base element for protective plug PLUGTRAB PT-IQ-2X2-EX

DIN rail bus connectors - PT-IQ-17,5-TBUS-5-2.0 - 2906878



DIN rail connector for PT-IQ system for establishing remote signaling and the power supply when a surge protection module is snapped on.

Phoenix Contact 2020 © - all rights reserved
<http://www.phoenixcontact.com>

PHOENIX CONTACT GmbH & Co. KG
Flachsmarktstr. 8
32825 Blomberg
Germany
Tel. +49 5235 300
Fax +49 5235 3 41200
<http://www.phoenixcontact.com>

X-ON Electronics

Largest Supplier of Electrical and Electronic Components

Click to view similar products for [Surge Suppressors](#) category:

Click to view products by [Phoenix Contact](#) manufacturer:

Other Similar products are found below :

[1109673](#) [GUS1](#) [GUS12](#) [2800521](#) [2801234](#) [2801236](#) [2801551](#) [GT-SMD181240012-TR](#) [GUS11](#) [GUS2](#) [GUS3](#) [GUS4](#) [IE103](#) [SRA64C060X](#)
[PC642C015](#) [1810-15-A3](#) [GT-SMD181215012-TR](#) [4B06B-EC1-150LF](#) [MAX14588ETE+T](#) [SRA6LC](#) [SP6-230-BFM](#) [DSL04-022SC6](#)
[DSL04-018SC6](#) [DSL04-024SC6](#) [DSL04-008SC6](#) [DSL04-010SC6](#) [DSL04-016SC6](#) [DSL04-020SC6](#) [DSL04-012SC6](#) [BPMA75D100LV](#)
[DSL04-005SC6](#) [CX06M](#) [CCTV1](#) [2910349](#) [2910386](#) [2910385](#) [GUS13](#) [GUS14](#) [GUS5](#) [GUS6](#) [2713162](#) [2801549](#) [5053331](#) [5053335](#) [TTC-](#)
[6P-1X2-24DC-UT-I](#) [2910375](#) [2910379](#) [2910383](#) [2910387](#) [VAL-US-120/65-P](#)