

Surge protection device - CN-UB-70DC-6-BB - 2803166

Please be informed that the data shown in this PDF Document is generated from our Online Catalog. Please find the complete data in the user's documentation. Our General Terms of Use for Downloads are valid (<http://phoenixcontact.com/download>)



Attachment plug with surge protection for coaxial signal interfaces. Connection: N connector, female/female

Your advantages

- Mounting plate enables mounting, e.g., in a control cabinet



Key Commercial Data

Packing unit	1 pc
GTIN	
GTIN	4046356293211

Technical data

Dimensions

Height	24 mm
Width	24 mm
Depth	47 mm

Ambient conditions

Ambient temperature (operation)	-40 °C ... 90 °C
Degree of protection	IP68

General

Housing material	Brass (CuZn)
Color	nickel
Standards for clearances and creepage distances	DIN VDE 0110-1
	IEC 60664-1
Mounting type	Connection-specific intermediate plugging
Type	Attachment plug
Direction of action	Line-Shield/Earth Ground

Surge protection device - CN-UB-70DC-6-BB - 2803166

Technical data

Additional descriptions

Note	To meet the discharge conditions for DC voltages, please note the following information: "The surge protective device should be used together with a transmitter unit, which shuts down in the event of a short-circuit."
------	---

Protective circuit

IEC test classification	C2
	C3
	D1
VDE requirement class	C2
	C3
	D1
Maximum continuous voltage U_C	70 V DC
	50 V AC
Maximum continuous voltage U_C (line-earth)	70 V DC
	50 V AC
Rated current	10 A
Operating effective current I_C at U_C	$\leq 1 \mu A$
Nominal discharge current I_n (8/20) μs	5 kA
Nominal discharge current I_n (8/20) μs (line-earth)	5 kA
Nominal discharge current I_n (8/20) μs (line-shield)	5 kA
Total discharge current I_{total} (8/20) μs	5 kA
Max. discharge current I_{max} (8/20) μs maximum (line-earth)	10 kA
Max. discharge current I_{max} (8/20) μs maximum (line-shield)	10 kA
Nominal pulse current I_{an} (10/1000) μs (line-shield)	100 A
Impulse discharge current (10/350) μs , peak value I_{imp}	1 kA
Output voltage limitation at 1 kV/ μs (line-earth) spike	$\leq 650 V$
Output voltage limitation at 1 kV/ μs (line-shield) spike	$\leq 650 V$
Output voltage limitation at 1 kV/ μs (line-earth) static	$\leq 650 V$
Output voltage limitation at 1 kV/ μs (line-shield) static	$\leq 650 V$
Voltage protection level U_p (line-earth)	$\leq 800 V$ (C2 - 4 kV / 2 kA)
	$\leq 1 kV$ (C2 - 10 kV / 5 kA)
Voltage protection level U_p (line-shield)	$\leq 800 V$ (C2 - 4 kV / 2 kA)
	$\leq 1 kV$ (C2 - 10 kV / 5 kA)
Response time t_A (line-earth)	$\leq 100 ns$
Response time t_A (line-shield)	$\leq 100 ns$
Input attenuation aE, asym.	0.1 dB ($\leq 6 GHz$)
Cut-off frequency f_g (3 dB), asym. (shield) in 50 Ohm system	$> 6 GHz$
Frequency range	0 Hz ... 6 GHz
Standing wave ratio SWR in a 50 Ω system	typ. 1.15 ($\leq 6 GHz$)
Permissible HF power P_{max} at VSWR = xx (50 ohm system)	30 W (VSWR = 1.15)

Surge protection device - CN-UB-70DC-6-BB - 2803166

Technical data

Protective circuit

Capacity (line-earth)	typ. 1.5 pF
Capacity asymmetrical (shield)	typ. 1.5 pF
Surge protection fault message	none
Impulse durability (line-earth)	C2 - 10 kV / 5 kA C3 - 100 A D1 - 1 kA
Impulse durability (line-shield)	C2 - 10 kV/5 kA C3 - 100 A D1 - 1 kA
Alternating current carrying capacity (line-shield)	5 A - 1 s

Connection data

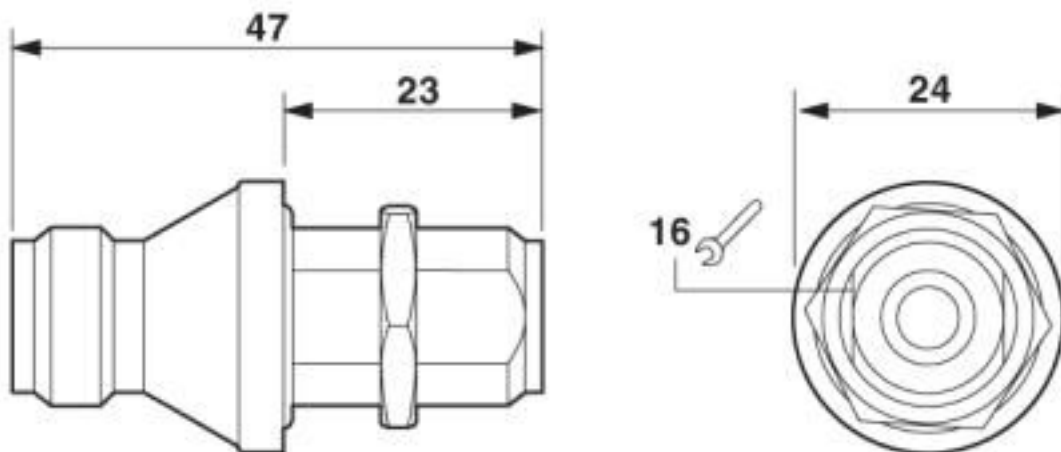
Connection method	N connector 50 Ω
Connection method IN	N connector, female
Connection method OUT	N connector, female

Standards and Regulations

Standards/regulations	IEC 61643-21
Standards/specifications	IEC 61643-21 2000

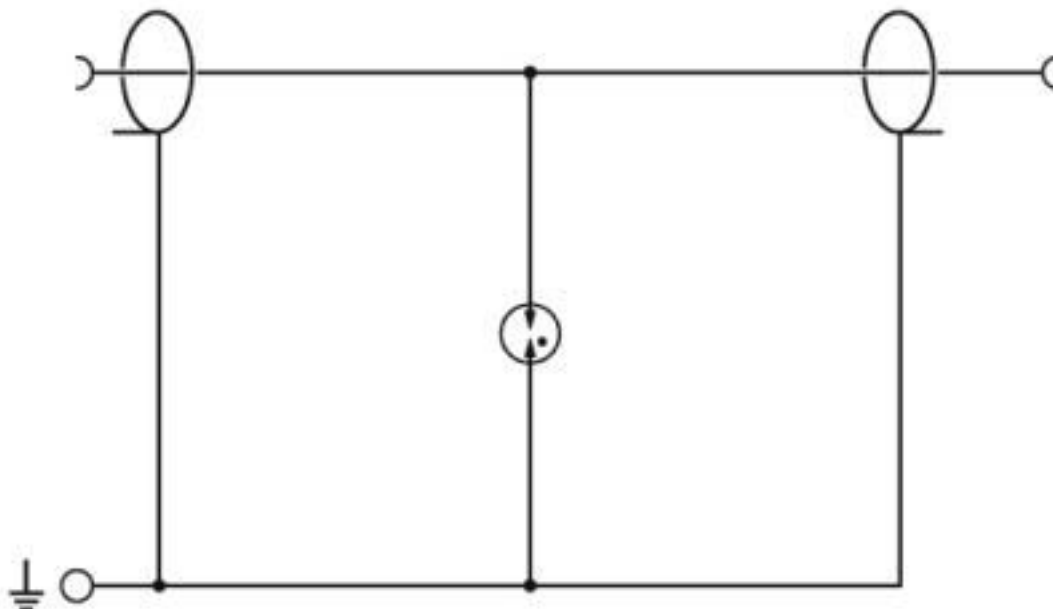
Drawings

Dimensional drawing



Surge protection device - CN-UB-70DC-6-BB - 2803166

Circuit diagram



Classifications

eCl@ss

eCl@ss 10.0.1	27130807
eCl@ss 4.0	27130800
eCl@ss 4.1	27130800
eCl@ss 5.0	27130800
eCl@ss 5.1	27130800
eCl@ss 6.0	27130800
eCl@ss 7.0	27130807
eCl@ss 8.0	27130807
eCl@ss 9.0	27130807

ETIM

ETIM 2.0	EC000943
ETIM 3.0	EC000943
ETIM 4.0	EC000943
ETIM 5.0	EC000943
ETIM 6.0	EC000943
ETIM 7.0	EC000943

UNSPSC

UNSPSC 6.01	30212010
UNSPSC 7.0901	39121610
UNSPSC 11	39121610

Surge protection device - CN-UB-70DC-6-BB - 2803166

Classifications

UNSPSC

UNSPSC 12.01	39121610
UNSPSC 13.2	39121620
UNSPSC 18.0	39121620
UNSPSC 19.0	39121620
UNSPSC 20.0	39121620
UNSPSC 21.0	39121620

Approvals

Approvals

Approvals

EAC / EAC

Ex Approvals

Approval details

EAC		EAC-Zulassung
-----	--	---------------

EAC		RU C- DE.*09.B.00169
-----	--	-------------------------

Accessories

Accessories

Assembly adapter

Mounting plate - CN-UB/MP - 2818135



Tongue for attaching the CN-UB..., to housing panels, for example.

Surge protection device - CN-UB-70DC-6-BB - 2803166

Accessories

Mounting plate - CN-UB/MP-90DEG-50 - 2803137



Angled bracket for individually fixing CN-UB... to housing panels, for example.

Additional products

Mounting plate - CN-UB/MP - 2818135



Tongue for attaching the CN-UB..., to housing panels, for example.

Phoenix Contact 2020 © - all rights reserved
<http://www.phoenixcontact.com>

PHOENIX CONTACT GmbH & Co. KG
Flachsmarktstr. 8
32825 Blomberg
Germany
Tel. +49 5235 300
Fax +49 5235 3 41200
<http://www.phoenixcontact.com>

X-ON Electronics

Largest Supplier of Electrical and Electronic Components

Click to view similar products for [RF Adapters - In Series](#) category:

Click to view products by [Phoenix Contact](#) manufacturer:

Other Similar products are found below :

[5916-1103-603](#) [5918-1103-000](#) [5919-1503-000](#) [651A505](#) [82-5552](#) [9030-9523-502](#) [A0407000](#) [R114703000W](#) [R125704000](#) [R125771001](#)
[R141710000W](#) [R141723161](#) [R141730000](#) [R143730700](#) [R143770000](#) [R161703000W](#) [R161753000W](#) [R161791530W](#) [R201705000](#)
[R222705200](#) [R222M40010W](#) [R316754000](#) [R405006000](#) [R443162000](#) [AD78TL](#) [HRM-513S](#) [1996352-2](#) [2157155-1](#) [252169-75](#) [AD158](#)
[2101130-1](#) [252186](#) [R114704000W](#) [R114720000W](#) [R125705001](#) [R125705701](#) [R125771000](#) [R125771001W](#) [R125791501W](#) [R127704001](#)
[R127.870.001](#) [R127872001](#) [R141717000](#) [R142710000](#) [R142723000](#) [R143703000](#) [R143704000](#) [R143705700](#) [R161715000W](#) [R161771000W](#)