

Converter - MCR-DAC 8-I- 4-BUS - 2808226

Please be informed that the data shown in this PDF Document is generated from our Online Catalog. Please find the complete data in the user's documentation. Our General Terms of Use for Downloads are valid (<http://phoenixcontact.com/download>)




MCR 8-bit digital/analog converters, with flat-ribbon cable connection and COMBICON connector, pitch 5.08 mm, output signal 4..20 mA

The figure shows version MCR-DAC 8-U-5-BUS



Key Commercial Data

Packing unit	1 pc
GTIN	 4 017918 075576
GTIN	4017918075576

Technical data

Note

Utilization restriction	EMC: class A product, see manufacturer's declaration in the download area
-------------------------	---

Dimensions

Width	25 mm
Height	79 mm
Depth	93 mm

Ambient conditions

Ambient temperature (operation)	0 °C ... 55 °C
---------------------------------	----------------

Input data

Input signal	8 bit (1 leading sign)
Input voltage range	24 V DC ... 30 V DC
Signal level "1" signal	≥ 15 V DC
Signal level "0" signal	≤ 2 V DC
Max. input current	≤ 1 mA
Input resistance	≥ 5.7 kΩ

Converter - MCR-DAC 8-I- 4-BUS - 2808226

Technical data

Input data

Type of protection	Surge protection
Protective circuit/component	Suppressor diode, 36 V / 1500 W

Output data

Output current	5 mA
Output name	Current output
Current output signal	4 mA ... 20 mA
Load/output load current output	≤ 500 Ω
Resolution, outputs (current)	63 μA
D/A conversion time	≤ 50 μs

Power supply

Nominal supply voltage	24 V DC ±10 %
Supply voltage range	22 V DC ... 26 V DC
Max. current consumption	20 mA

General

Maximum transmission error	± 1 LSB, for 25°C
Protective circuit	Protection against polarity reversal, suppressor diode
Color	green
Housing material	Polyamide PA non-reinforced
Mounting position	any

Standards and Regulations

Conformance	CE-compliant
-------------	--------------

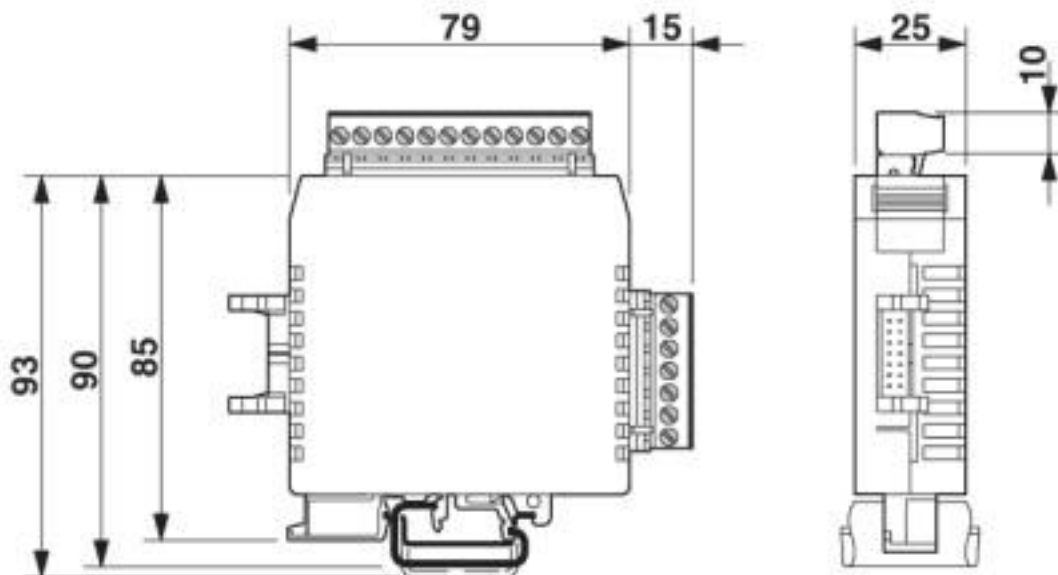
Environmental Product Compliance

REACH SVHC	Lead 7439-92-1
China RoHS	Environmentally Friendly Use Period = 50 years
	For details about hazardous substances go to tab "Downloads", Category "Manufacturer's declaration"

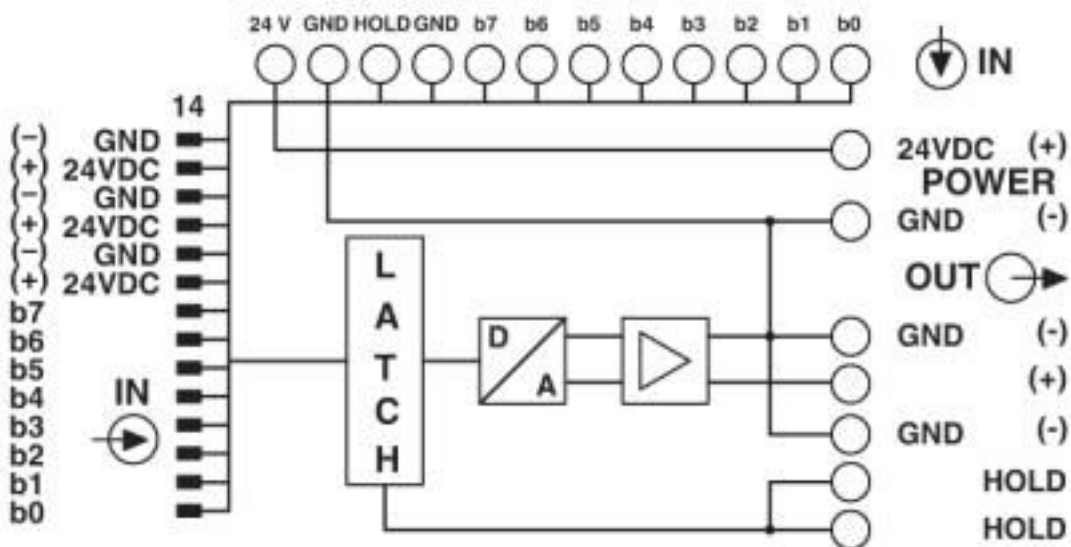
Drawings

Converter - MCR-DAC 8-I- 4-BUS - 2808226

Dimensional drawing



Circuit diagram



Classifications

eCl@ss

eCl@ss 4.0	27230200
eCl@ss 4.1	27230200
eCl@ss 5.0	27230200
eCl@ss 5.1	27230200
eCl@ss 6.0	19179200
eCl@ss 7.0	19179290

Converter - MCR-DAC 8-I- 4-BUS - 2808226

Classifications

eCl@ss

eCl@ss 8.0	19179290
eCl@ss 9.0	19179290

ETIM

ETIM 2.0	EC001440
ETIM 3.0	EC001440
ETIM 4.0	EC001440
ETIM 5.0	EC000310
ETIM 6.0	EC000310
ETIM 7.0	EC000310

UNSPSC

UNSPSC 6.01	30211506
UNSPSC 7.0901	39121008
UNSPSC 11	39121008
UNSPSC 12.01	39121008
UNSPSC 13.2	43222604
UNSPSC 19.0	43222604

Approvals

Approvals

Approvals

EAC

Ex Approvals

Approval details

EAC		RU C- DE.A*30.B.01082
-----	--	--------------------------

Phoenix Contact 2020 © - all rights reserved
<http://www.phoenixcontact.com>

PHOENIX CONTACT GmbH & Co. KG
Flachmarktstr. 8
32825 Blomberg
Germany
Tel. +49 5235 300
Fax +49 5235 3 41200
<http://www.phoenixcontact.com>

X-ON Electronics

Largest Supplier of Electrical and Electronic Components

Click to view similar products for [Data Conversion Modules](#) category:

Click to view products by [Phoenix Contact](#) manufacturer:

Other Similar products are found below :

[2808226](#)