

## Voltage measuring transducers - MCR-VDC-UI-B-DC - 2811116

Please be informed that the data shown in this PDF Document is generated from our Online Catalog. Please find the complete data in the user's documentation. Our General Terms of Use for Downloads are valid (<http://phoenixcontact.com/download>)




MCR voltage measuring transducer, for direct current voltages from 0..(+/-)20 V DC to 0..(+/-)660 V DC, output signal (+/-)10 V/(+/-)20 mA

### Your advantages

- ✓ Adjustable voltage ranges
- ✓ Bidirectional output signals
- ✓ 3-way isolation
- ✓ ZERO/SPAN adjustment ±20%
- ✓ Tool-free parameterization of measured values
- ✓ Teach-in configuration of the measured value range



### Key Commercial Data

Packing unit	1 pc
GTIN	 4 017918 125394
GTIN	4017918125394

### Technical data

#### Note

Utilization restriction	EMC: class A product, see manufacturer's declaration in the download area
-------------------------	---

#### Dimensions

Width	22.5 mm
Height	99 mm
Depth	114.5 mm

#### Ambient conditions

Ambient temperature (operation)	-25 °C ... 50 °C
Ambient temperature (storage/transport)	-40 °C ... 85 °C (non-condensing)
Degree of protection	IP20

# Voltage measuring transducers - MCR-VDC-UI-B-DC - 2811116

## Technical data

### Input data

Input voltage range	-550 V DC ... 550 V DC
Input resistance	550 kΩ
Input voltage range	-370 V DC ... 370 V DC
Input resistance	370 kΩ
Input voltage range	-250 V DC ... 250 V DC
Input resistance	250 kΩ
Input voltage range	-170 V DC ... 170 V DC
Input resistance	170 kΩ
Input voltage range	-120 V DC ... 120 V DC
Input resistance	120 kΩ
Input voltage range	-80 V DC ... 80 V DC
Input resistance	80 kΩ
Input voltage range	-54 V DC ... 54 V DC
Input resistance	54 kΩ
Input voltage range	-36 V DC ... 36 V DC
Input resistance	36 kΩ
Input voltage range	-24 V DC ... 24 V DC
Input resistance	24 kΩ
Nom. voltage	± 660 V DC (ungrounded)
	± 100 V DC (to earth)

### Output data

Output name	Voltage output
Voltage output signal	-10 V ... 10 V
Max. output voltage	± 15 V
Load/output load voltage output	> 10 kΩ
Ripple	< 50 mV <sub>PP</sub>
Output name	Current output
Current output signal	-20 mA ... 20 mA
Max. output current	± 30 mA
Load/output load current output	< 500 Ω
Ripple	< 50 mV <sub>PP</sub>

### Power supply

Supply voltage range	18.5 V DC ... 30.2 V DC
Max. current consumption	< 50 mA

### Connection data

Connection method	Pluggable screw connection
Conductor cross section solid min.	0.2 mm <sup>2</sup>
Conductor cross section solid max.	2.5 mm <sup>2</sup>
Conductor cross section AWG min.	24

# Voltage measuring transducers - MCR-VDC-UI-B-DC - 2811116

## Technical data

### Connection data

Conductor cross section AWG max.	14
Conductor cross section flexible min.	0.2 mm <sup>2</sup>
Conductor cross section flexible max.	2.5 mm <sup>2</sup>
Stripping length	8 mm
Screw thread	M3
Connection technology	Screw connection

### General

Maximum transmission error	< 1 % (of final value)
Maximum temperature coefficient	< 0.015 %/K
Limit frequency (3 dB)	40 Hz
Frequency measuring range	40 Hz ... 70 Hz
Alignment zero	± 20 %
Alignment span	± 20 %
Step response (10-90%)	12 ms
Overvoltage category	II
Degree of pollution	2
Test voltage input/output	1.5 kV (50 Hz, 1 min.)
Electromagnetic compatibility	Conformance with EMC directive
Noise emission	EN 61000-6-4
Noise immunity	EN 61000-6-2
Color	green
Housing material	Polyamide PA non-reinforced
Configuration	INTERBUS
Conformance	CE-compliant
UL, USA/Canada	cULus

### Standards and Regulations

Electromagnetic compatibility	Conformance with EMC directive
Noise emission	EN 61000-6-4
Noise immunity	EN 61000-6-2
Connection in acc. with standard	CUL
Conformance	CE-compliant
UL, USA/Canada	cULus

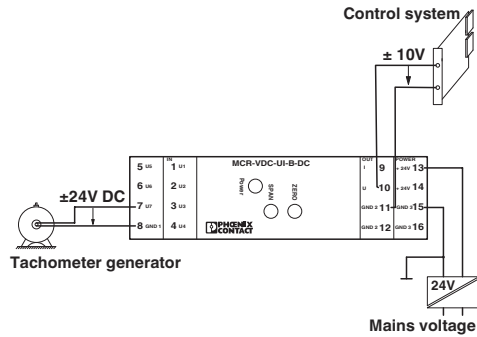
### Environmental Product Compliance

China RoHS	Environmentally Friendly Use Period = 50
	For details about hazardous substances go to tab "Downloads", Category "Manufacturer's declaration"

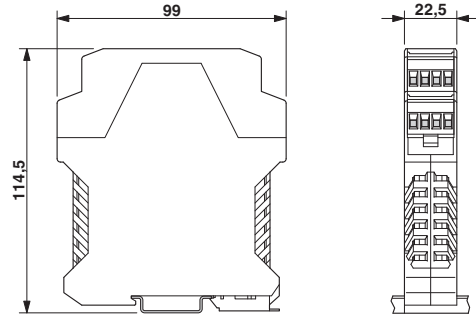
## Drawings

# Voltage measuring transducers - MCR-VDC-UI-B-DC - 2811116

Application drawing

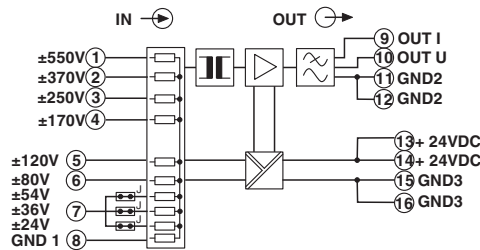


Dimensional drawing



Voltage measurement in case of ungrounded circuits

Circuit diagram



Phoenix Contact 2018 © - all rights reserved  
<http://www.phoenixcontact.com>

PHOENIX CONTACT GmbH & Co. KG  
 Flachsmarktstr. 8  
 32825 Blomberg  
 Germany  
 Tel. +49 5235 300  
 Fax +49 5235 3 41200  
<http://www.phoenixcontact.com>

## X-ON Electronics

Largest Supplier of Electrical and Electronic Components

*Click to view similar products for [Terminal Block Interface Modules](#) category:*

*Click to view products by [Phoenix Contact](#) manufacturer:*

Other Similar products are found below :

[73-551-6002I](#) [GCN1MX25B](#) [11S](#) [DIN-50P-01](#) [DIN-96DI-01](#) [2291901](#) [2295185](#) [2903392](#) [2907794](#) [2M10FCL](#) [2281759](#) [2907808](#) [TB ML](#)  
[3P ST D5.08](#) [5604442](#) [XW2B-40G5-T](#) [5606629](#) [XW2B-20G5-D](#) [2903870](#) [5541988](#) [5603026](#) [5541962](#) [1776613-1](#) [XW2B-34G4](#) [XW2B-](#)  
[60G5](#) [XW2R-E34G-C1](#) [XW2R-E34G-C3](#) [XW2R-J40G-T](#) [XW2R-P34G-C4](#) [XW2B-50G5](#) [XW2R-E40G-T](#) [XW2R-E34G-C2](#) [XW2R-J34G-](#)  
[C2](#) [ADAM-3920R-AE](#) [060-6827-06](#) [2311030](#) [2287708](#) [XW2C-20G6-IO16](#) [XW2R-J20G-T](#) [XW2B-60G4](#) [GCN1-T](#) [00111550102](#) [2908851](#)  
[2908852](#) [2908850](#) [1033201](#) [5775235](#) [5541234](#) [410-261](#) [5521322](#) [2902003](#)