

# Multiplexer - MINI MCR-SL-MUX-V8-FLK 16 - 2811815

Please be informed that the data shown in this PDF Document is generated from our Online Catalog. Please find the complete data in the user's documentation. Our General Terms of Use for Downloads are valid (<http://phoenixcontact.com/download>)



MINI analog multiplexer, generates one analog output from 8 analog input signals, for MINI analog module with screw connection.

## Product Description

The multiplexer makes it possible to create one analog output from 8 analog input signals. When running in 1 or 2 second cycles, with the multiplexer, 8, 6, 4, or 2 parallel analog signals can be transmitted serially, therefore successively. Suitable for MINI Analog modules with screw connection method.

## Your advantages

- ✓ System cabling on the output side using pre-assembled FLK cables with open ends
- ✓ Huge reduction in analog inputs at controllers
- ✓ Can be easily snapped onto MINI Analog modules with screw connection technology
- ✓ For 4  
20 mA current signals
- ✓ Generates an analog output from up to eight analog input signals – parallel analog signals are transmitted serially via a cable
- ✓ The desired number of channels is selected via DIP switches (8, 6, 4 or 2 channels)
- ✓ The channel currently switched is indicated as a bit pattern via three digital outputs
- ✓ Two clock cycles for execution can be selected via DIP switches (one or two-second clock)
- ✓ Supplied by an output loop



## Key Commercial Data

Packing unit	1 pc
GTIN	
GTIN	4046356554091

## Technical data

### Dimensions

Width	50.4 mm
Height	45.5 mm
Depth	46.2 mm

# Multiplexer - MINI MCR-SL-MUX-V8-FLK 16 - 2811815

## Technical data

### Ambient conditions

Ambient temperature (operation)	-20 °C ... 65 °C
Ambient temperature (storage/transport)	-40 °C ... 80 °C

### Input data

Description of the input	2, 4, 6, or 8-channel(can be switched over)
Configurable/programmable	Via DIP switches
Current input signal	4 mA ... 20 mA
Max. input current	< 30 mA

### Output data

Current output signal	4 mA ... 20 mA
Max. output current	< 30 mA
Load/output load current output	$(U_{\text{supply}} - 7 \text{ V}) / I_{\text{max}}$
Status display	1, 2, 3-bit digital output (can be selected)

### Switching output

Output name	3 x PNP optocouplers
Maximum switching voltage	30 V DC

### Power supply

Designation	Loop-powered
Supply voltage range	7 V DC ... 30 V DC (Loop-powered)
Max. current consumption	< 3.5 mA (without signal current)
Power consumption	< 24 mW (without signal current)

### Connection data

Connection name	Controller level
Connection in acc. with standard	IEC 60603-13
Connection method	IDC/FLK pin strip
Number of connections	1
Number of positions	16
Insertion/withdrawal cycles	≥ 200
Pitch	2.54 mm

### General

Maximum transmission error	0.3 % (0.1%, typical)
Maximum temperature coefficient	< 0.01 %/K
Electromagnetic compatibility	Conformance with EMC directive
Noise emission	EN 61000-6-4
Noise immunity	EN 61000-6-2 When being exposed to interference, there may be minimal deviations.
Color	green
Housing material	PBT

### Standards and Regulations

# Multiplexer - MINI MCR-SL-MUX-V8-FLK 16 - 2811815

## Technical data

### Standards and Regulations

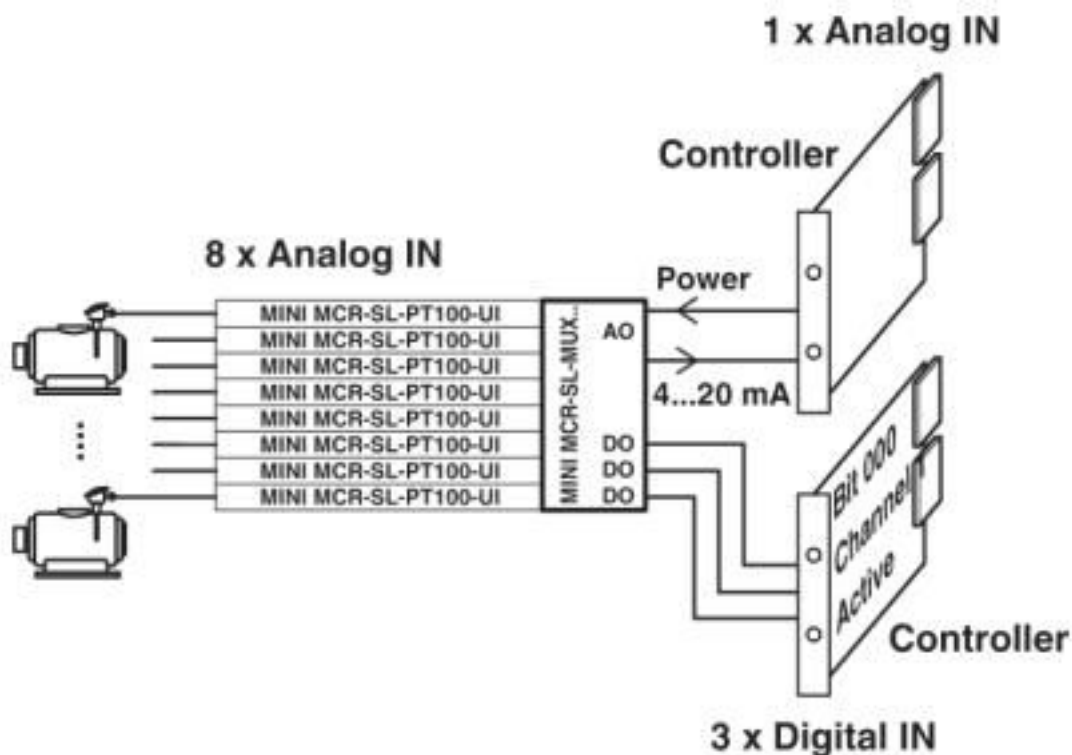
Electromagnetic compatibility	Conformance with EMC directive
Noise emission	EN 61000-6-4
Vibration resistance	≤ 0,7g
Conformance	CE-compliant
ATEX	# II 3 G Ex nA IIC T4 Gc X
UL, USA/Canada	UL 508 Recognized applied for
	Class I, Div. 2, Groups A, B, C, D T5 applied for

### Environmental Product Compliance

China RoHS	Environmentally Friendly Use Period = 50 years
	For details about hazardous substances go to tab "Downloads", Category "Manufacturer's declaration"

## Drawings

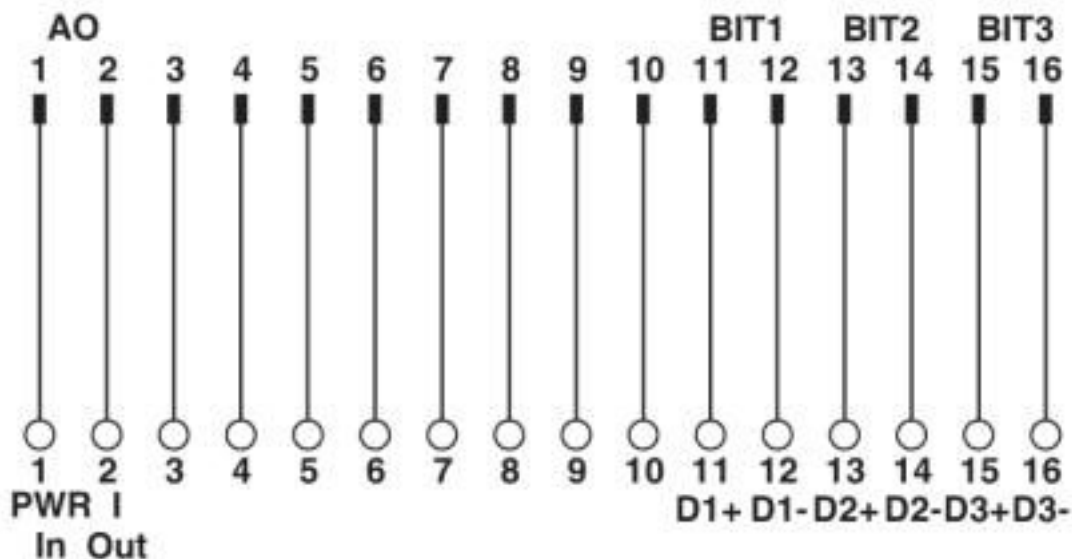
Application drawing



Monitoring of eight motor temperatures with just one analog control input

# Multiplexer - MINI MCR-SL-MUX-V8-FLK 16 - 2811815

Circuit diagram



FLK pin strip assignment

## Classifications

eCl@ss

eCl@ss 4.0	27210100
eCl@ss 4.1	27210100
eCl@ss 5.0	27210100
eCl@ss 5.1	27210100
eCl@ss 6.0	27210100
eCl@ss 7.0	19170117
eCl@ss 8.0	27242601
eCl@ss 9.0	27242601

ETIM

ETIM 2.0	EC001485
ETIM 3.0	EC001485
ETIM 4.0	EC001485
ETIM 5.0	EC000768
ETIM 6.0	EC000768
ETIM 7.0	EC000768

UNSPSC

UNSPSC 6.01	30211506
UNSPSC 7.0901	39121008
UNSPSC 11	39121008
UNSPSC 12.01	39121008

# Multiplexer - MINI MCR-SL-MUX-V8-FLK 16 - 2811815

## Classifications

### UNSPSC

UNSPSC 13.2	39121008
-------------	----------

## Accessories

### Accessories

#### Feed-through terminal block

Feed-through terminal block - MINI MCR-SL-TB - 2811420



Feed-through terminal block for transmission of signals that are already electrically isolated

---

## System cable

Round cable - VIP-CAB-FLK16/FR/OE/0,14/0,5M - 2900130



Round cable set; connection 1: Single wires (16-position) (The wires are marked and fitted with ferrules); connection 2: IDC/FLK socket strip (1x 16-position, 90 °-out put); cable length: 0.5 m

---

Round cable - VIP-CAB-FLK16/FR/OE/0,14/1,0M - 2900131



Round cable set; connection 1: Single wires (16-position) (The wires are marked and fitted with ferrules); connection 2: IDC/FLK socket strip (1x 16-position, 90 °-out put); cable length: 1 m

---

Round cable - VIP-CAB-FLK16/FR/OE/0,14/1,5M - 2900132



Round cable set; connection 1: Single wires (16-position) (The wires are marked and fitted with ferrules); connection 2: IDC/FLK socket strip (1x 16-position, 90 °-out put); cable length: 1.5 m

---

## Multiplexer - MINI MCR-SL-MUX-V8-FLK 16 - 2811815

### Accessories

Round cable - VIP-CAB-FLK16/FR/OE/0,14/2,0M - 2900133



Round cable set; connection 1: Single wires (16-position) (The wires are marked and fitted with ferrules); connection 2: IDC/FLK socket strip (1x 16-position, 90 °-out put); cable length: 2 m

---

Round cable - VIP-CAB-FLK16/FR/OE/0,14/3,0M - 2900134



Round cable set; connection 1: Single wires (16-position) (The wires are marked and fitted with ferrules); connection 2: IDC/FLK socket strip (1x 16-position, 90 °-out put); cable length: 3 m

---

Round cable - VIP-CAB-FLK16/FR/OE/0,14/4,0M - 2900135



Round cable set; connection 1: Single wires (16-position) (The wires are marked and fitted with ferrules); connection 2: IDC/FLK socket strip (1x 16-position, 90 °-out put); cable length: 4 m

---

Round cable - VIP-CAB-FLK16/FR/OE/0,14/6,0M - 2900136



Round cable set; connection 1: Single wires (16-position) (The wires are marked and fitted with ferrules); connection 2: IDC/FLK socket strip (1x 16-position, 90 °-out put); cable length: 6 m

---

Cable - CABLE-FLK16/OE/0,14/ 0,5M - 2318127



Round cable set; connection 1: Single wires (16-position) (The wires are marked and fitted with ferrules); connection 2: IDC/FLK socket strip (1x 16-position); cable length: 0.5 m

---

## Multiplexer - MINI MCR-SL-MUX-V8-FLK 16 - 2811815

### Accessories

Cable - CABLE-FLK16/OE/0,14/ 1,0M - 2318130



Round cable set; connection 1: Single wires (16-position) (The wires are marked and fitted with ferrules); connection 2: IDC/FLK socket strip (1x 16-position); cable length: 1 m

---

Cable - CABLE-FLK16/OE/0,14/ 1,5M - 2318143



Round cable set; connection 1: Single wires (16-position) (The wires are marked and fitted with ferrules); connection 2: IDC/FLK socket strip (1x 16-position); cable length: 1.5 m

---

Cable - CABLE-FLK16/OE/0,14/ 2,0M - 2318156



Round cable set; connection 1: Single wires (16-position) (The wires are marked and fitted with ferrules); connection 2: IDC/FLK socket strip (1x 16-position); cable length: 2 m

---

Cable - CABLE-FLK16/OE/0,14/ 2,5M - 2318169



Round cable set; connection 1: Single wires (16-position) (The wires are marked and fitted with ferrules); connection 2: IDC/FLK socket strip (1x 16-position); cable length: 2.5 m

---

Cable - CABLE-FLK16/OE/0,14/ 3,0M - 2318172



Round cable set; connection 1: Single wires (16-position) (The wires are marked and fitted with ferrules); connection 2: IDC/FLK socket strip (1x 16-position); cable length: 3 m

---

## Multiplexer - MINI MCR-SL-MUX-V8-FLK 16 - 2811815

### Accessories

Cable - CABLE-FLK16/OE/0,14/ 4,0M - 2318185



Round cable set; connection 1: Single wires (16-position) (The wires are marked and fitted with ferrules); connection 2: IDC/FLK socket strip (1x 16-position); cable length: 4 m

---

Cable - CABLE-FLK16/OE/0,14/ 6,0M - 2318198



Round cable set; connection 1: Single wires (16-position) (The wires are marked and fitted with ferrules); connection 2: IDC/FLK socket strip (1x 16-position); cable length: 6 m

---

Cable - CABLE-FLK16/OE/0,14/ 8,0M - 2318208



Round cable set; connection 1: Single wires (16-position) (The wires are marked and fitted with ferrules); connection 2: IDC/FLK socket strip (1x 16-position); cable length: 8 m

---

Cable - CABLE-FLK16/OE/0,14/10,0M - 2318211



Round cable set; connection 1: Single wires (16-position) (The wires are marked and fitted with ferrules); connection 2: IDC/FLK socket strip (1x 16-position); cable length: 10 m

---

Cable - CABLE-FLK16/OE/0,14/... - 2318224



Round cable set; connection 1: Single wires (16-position) (The wires are marked and fitted with ferrules); connection 2: IDC/FLK socket strip (1x 16-position); cable length: variable

---

---



Phoenix Contact 2020 © - all rights reserved  
<http://www.phoenixcontact.com>

PHOENIX CONTACT GmbH & Co. KG  
Flachmarktstr. 8  
32825 Blomberg  
Germany  
Tel. +49 5235 300  
Fax +49 5235 3 41200  
<http://www.phoenixcontact.com>

## X-ON Electronics

Largest Supplier of Electrical and Electronic Components

*Click to view similar products for [Terminal Block Interface Modules](#) category:*

*Click to view products by [Phoenix Contact](#) manufacturer:*

Other Similar products are found below :

[73-551-6002I](#) [GCN1MX25B](#) [DIN-50P-01](#) [DIN-68H-01](#) [DIN-96DI-01](#) [2291901](#) [2295185](#) [2907794](#) [2M10FCL](#) [FLKM-2I/O](#) [FLKM-4I/O](#)  
[2281759](#) [2906251](#) [2907808](#) [5601749](#) [5541962](#) [1776613-1](#) [GCN1-004A](#) [ADAM-3920R-AE](#) [060-6827-06](#) [2311030](#) [2287708](#) [XW2C-20G6-](#)  
[IO16](#) [GCN1-T](#) [MACX](#) [MCR-VAC](#) [5775235](#) [ADAM-3956-BE](#) [XW6T-COM2.5X20YL](#) [XW6T-COM1.5X8BL](#) [XW6T-COM1.5X16BL](#)  
[XW6T-COM1.5X20YL](#) [XW6T-COM1.5X16YL](#) [XW6T-COM1.5X20RD](#) [XW6T-COM1.5X20BL](#) [XW6T-COM2.5X8BL](#) [1976610000](#) [UM](#)  
[45-D50SUB/B/ZFKDS](#) [5541234](#) [410-261](#) [2906243](#) [2907706](#) [ADAM-3909-AE](#) [ADAM-3920-AE](#) [ADAM-3925-AE](#) [ADAM-3937-BE](#)  
[ADAM-3950-AE](#) [ADAM-3951-BE](#) [ADAM-3968-AE](#) [ADAM-3968/50-AE](#) [2905026](#)