

Loop-powered isolators - MCR-1CLP-I-I-00 - 2814016

Please be informed that the data shown in this PDF Document is generated from our Online Catalog. Please find the complete data in the user's documentation. Our General Terms of Use for Downloads are valid (<http://phoenixcontact.com/download>)



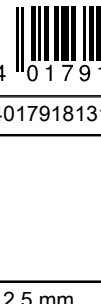
MCR passive isolator, for the electrical isolation of current signals without auxiliary power, 1-channel, input signal: 0(4)...20 mA, output signal: 0(4)...20 mA

Your advantages

- 1, 2 or 4-channel version as an option
- Electrical isolation without additional auxiliary voltage
- 0/4 ... 20 mA current signals



Key Commercial Data

Packing unit	1 pc
GTIN	 4 017918 131722
GTIN	4017918131722

Technical data

Dimensions

Width	12.5 mm
Height	99 mm
Depth	114.5 mm

Ambient conditions

Ambient temperature (operation)	-10 °C ... 70 °C
---------------------------------	------------------

Input data

Description of the input	Current input
Number of inputs	1
Configurable/programmable	no
Current input signal	0 mA ... 20 mA
	4 mA ... 20 mA
max. input voltage	30 V (30 V overload)

Loop-powered isolators - MCR-1CLP-I-I-00 - 2814016

Technical data

Input data

Max. input current	50 mA (100 mA overload)
Response current	< 50 μ A
Input voltage limitation	33 V (with Zener diode)
Voltage dissipation	2.5 V (I = 20 mA)

Output data

Output name	Current output
Number of outputs	1
Configurable/programmable	no
Current output signal	0 mA ... 20 mA
	4 mA ... 20 mA
Max. output current	< 50 mA
Load/output load current output	\leq 1375 Ω (at I = 20 mA output signal)
Ripple	< 5 mV (rms)
Transmission Behavior	1:1 to input signal

Power supply

Supply voltage range	no separate supply voltage necessary
----------------------	--------------------------------------

General

No. of channels	1
Maximum transmission error	\leq 0.1 % (of final value)
Maximum temperature coefficient	\leq 0.002 %/K (of measured value / 100 Ω load)
Additional error, load-dependent	0.02 % (of measured value)
Limit frequency (3 dB)	< 75 Hz
Step response (10-90%)	5 ms (with 500 Ω load)
Test voltage input/output	510 V (50 Hz, 1 min.)
Color	green
Housing material	Polyamide PA non-reinforced
Mounting position	any

Standards and Regulations

Connection in acc. with standard	CUL
Conformance	CE-compliant
UL, USA/Canada	cULus

Environmental Product Compliance

China RoHS	Environmentally Friendly Use Period = 50 years
	For details about hazardous substances go to tab "Downloads", Category "Manufacturer's declaration"

Drawings

Loop-powered isolators - MCR-1CLP-I-I-00 - 2814016

Application drawing

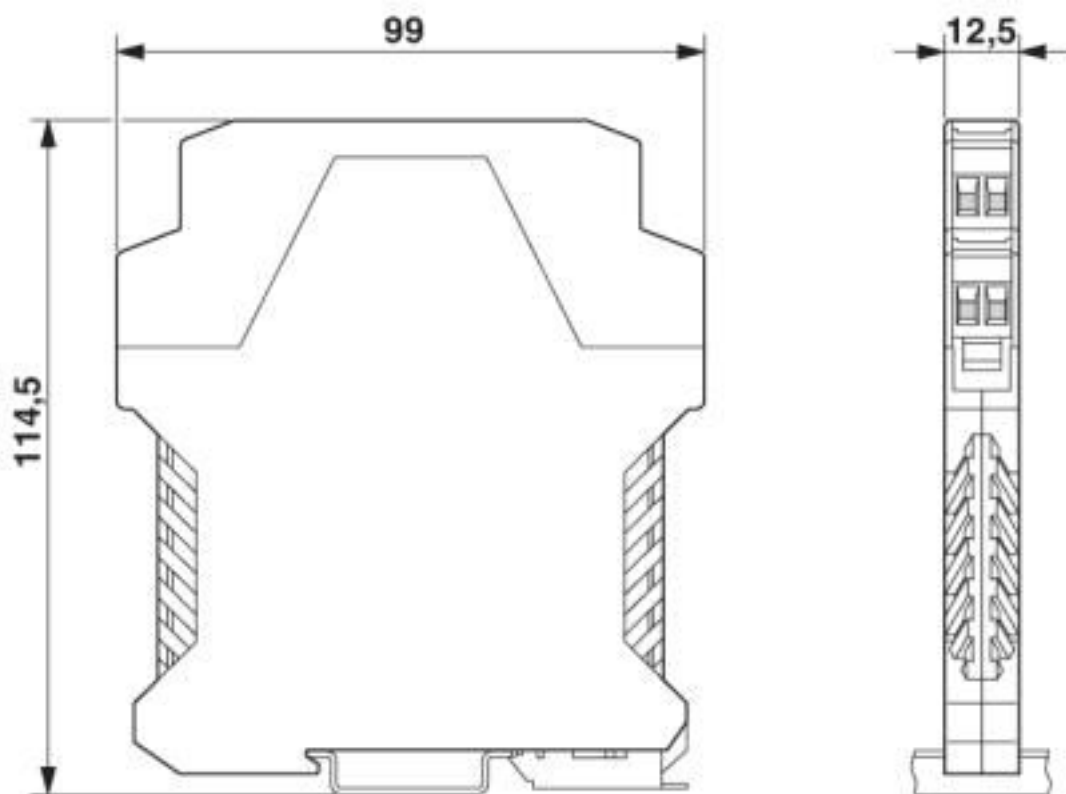


Application example: - flow measurement

1 = magnetic inductive flow gauge

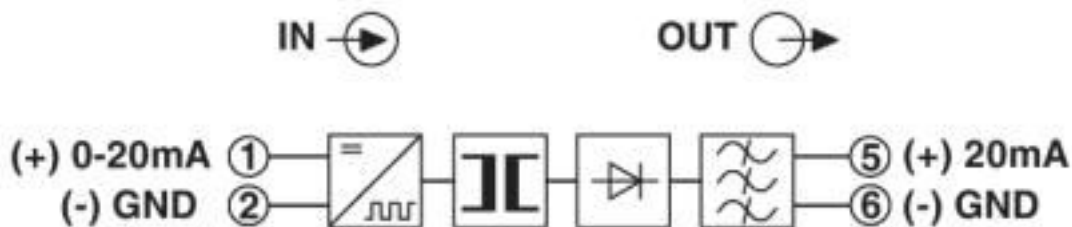
2 = control

Dimensional drawing



Loop-powered isolators - MCR-1CLP-I-I-00 - 2814016

Circuit diagram



Classifications

eCl@ss

eCl@ss 10.0.1	27210120
eCl@ss 4.0	27210120
eCl@ss 4.1	27210120
eCl@ss 5.0	27210120
eCl@ss 5.1	27210100
eCl@ss 6.0	27210100
eCl@ss 7.0	27210120
eCl@ss 8.0	27210120
eCl@ss 9.0	27210120

ETIM

ETIM 4.0	EC002653
ETIM 5.0	EC002653
ETIM 6.0	EC002653

UNSPSC

UNSPSC 6.01	30211506
UNSPSC 7.0901	39121008
UNSPSC 11	39121008
UNSPSC 12.01	39121008
UNSPSC 13.2	39121008
UNSPSC 19.0	39121008

Phoenix Contact 2020 © - all rights reserved
<http://www.phoenixcontact.com>

PHOENIX CONTACT GmbH & Co. KG
 Flachsmarktstr. 8
 32825 Blomberg
 Germany
 Tel. +49 5235 300
 Fax +49 5235 3 41200
<http://www.phoenixcontact.com>

X-ON Electronics

Largest Supplier of Electrical and Electronic Components

Click to view similar products for [Terminal Block Interface Modules](#) category:

Click to view products by [Phoenix Contact](#) manufacturer:

Other Similar products are found below :

[73-551-6002I](#) [GCN1MX25B](#) [DIN-50P-01](#) [DIN-68H-01](#) [DIN-96DI-01](#) [2291901](#) [2295185](#) [2907794](#) [2M10FCL](#) [FLKM-2I/O](#) [FLKM-4I/O](#)
[2281759](#) [2906251](#) [2907808](#) [5601749](#) [5541962](#) [1776613-1](#) [GCN1-004A](#) [ADAM-3920R-AE](#) [060-6827-06](#) [2311030](#) [2287708](#) [XW2C-20G6-](#)
[IO16](#) [GCN1-T](#) [MACX](#) [MCR-VAC](#) [5775235](#) [ADAM-3956-BE](#) [XW6T-COM2.5X20YL](#) [XW6T-COM1.5X8BL](#) [XW6T-COM1.5X16BL](#)
[XW6T-COM1.5X20YL](#) [XW6T-COM1.5X16YL](#) [XW6T-COM1.5X20RD](#) [XW6T-COM1.5X20BL](#) [XW6T-COM2.5X8BL](#) [1976610000](#) [UM](#)
[45-D50SUB/B/ZFKDS](#) [5541234](#) [410-261](#) [2906243](#) [2907706](#) [ADAM-3909-AE](#) [ADAM-3920-AE](#) [ADAM-3925-AE](#) [ADAM-3937-BE](#)
[ADAM-3950-AE](#) [ADAM-3951-BE](#) [ADAM-3968-AE](#) [ADAM-3968/50-AE](#) [2905026](#)