

Current transducers - MCR-SLP-1-5-UI-0 - 2814359

Please be informed that the data shown in this PDF Document is generated from our Online Catalog. Please find the complete data in the user's documentation. Our General Terms of Use for Downloads are valid (<http://phoenixcontact.com/download>)



MCR passive current measuring transducer, for sinusoidal alternating currents 0..1 A AC/0..5 A AC, without switching output, output signal 0..10 V/0..20 mA

Your advantages

- Loop-powered
- 1 A and 5 A AC measuring ranges, reconnectable



Key Commercial Data

Packing unit	1 pc
GTIN	
GTIN	4017918148447

Technical data

Note

Utilization restriction	EMC: class A product, see manufacturer's declaration in the download area
-------------------------	---

Dimensions

Width	22.5 mm
Height	99 mm
Depth	114.5 mm

Ambient conditions

Ambient temperature (operation)	-25 °C ... 60 °C
Ambient temperature (storage/transport)	-25 °C ... 80 °C (non-condensing)
Maximum altitude	< 2000 m
Degree of protection	IP20
Noise immunity	EN 61000-6-2 When being exposed to interference, there may be minimal deviations.

Input data

Current transducers - MCR-SLP-1-5-UI-0 - 2814359

Technical data

Input data

Input	Current measuring input 1 A
Input current range	0 A AC ... 1 A
Impulse form	Sine
Overload capacity	2 x I _N (5 min. at 60°C ambient temperature)
Surge strength	50 A (1 s)
Permissible output range	1.2 x I _N
Nominal frequency f _N	50 Hz
Frequency measuring range	45 Hz ... 60 Hz
Power dissipation	1.6 VA (at I _A = 20 mA)
Connection method	Screw connection
Input	Current measuring input 5 A
Input current range	0 A AC ... 5 A
Impulse form	Sine
Overload capacity	2 x I _N (5 min. at 60°C ambient temperature)
Surge strength	100 A (1 s)
Permissible output range	1.2 x I _N
Nominal frequency f _N	50 Hz
Frequency measuring range	45 Hz ... 60 Hz
Power dissipation	2.2 VA (I = 20 mA)
Connection method	Screw connection

Output data

Output name	Voltage output
Voltage output signal	0 V ... 10 V
Max. output voltage	20 V
Load/output load voltage output	> 100 kΩ
Ripple	< 50 mV _{PP}
Output name	Current output
Current output signal	0 mA ... 20 mA
Max. output current	30 mA
Load/output load current output	< 750 Ω
Ripple	< 50 mV _{PP}
Residual ripple, in reference to the measured value	0.5 % (pp of measured value)

Switching output

Output name	No switching output
-------------	---------------------

Connection data

Connection method	Screw connection
Stripping length	8 mm
Screw thread	M3
Conductor cross section solid	0.2 mm ² ... 2.5 mm ²

Current transducers - MCR-SLP-1-5-UI-0 - 2814359

Technical data

Connection data

Conductor cross section flexible	0.2 mm ² ... 2.5 mm ²
Conductor cross section AWG	24 ... 14

General

Maximum transmission error	< 0.5 % (of final value)
Maximum temperature coefficient	< 0.015 %/K
Step response (10-90%)	< 200 ms
Test voltage	3.5 kV
Protective circuit	Transient protection in the output Suppressor diode
Overvoltage category	III
Degree of pollution	2
Rated insulation voltage	300 V AC (to earth)
Electromagnetic compatibility	Conformance with EMC directive
Noise emission	EN 61000-6-4
Noise immunity	EN 61000-6-2 When being exposed to interference, there may be minimal deviations.
Color	green
Housing material	Polyamide PA non-reinforced
Mounting position	< 50 °C: any; > 50 °C: vertical (installation on horizontal DIN rail)

Standards and Regulations

Electromagnetic compatibility	Conformance with EMC directive
Noise emission	EN 61000-6-4
Connection in acc. with standard	CUL
Conformance	CE-compliant

Conformance/approvals

Designation	CE
Identification	CE-compliant

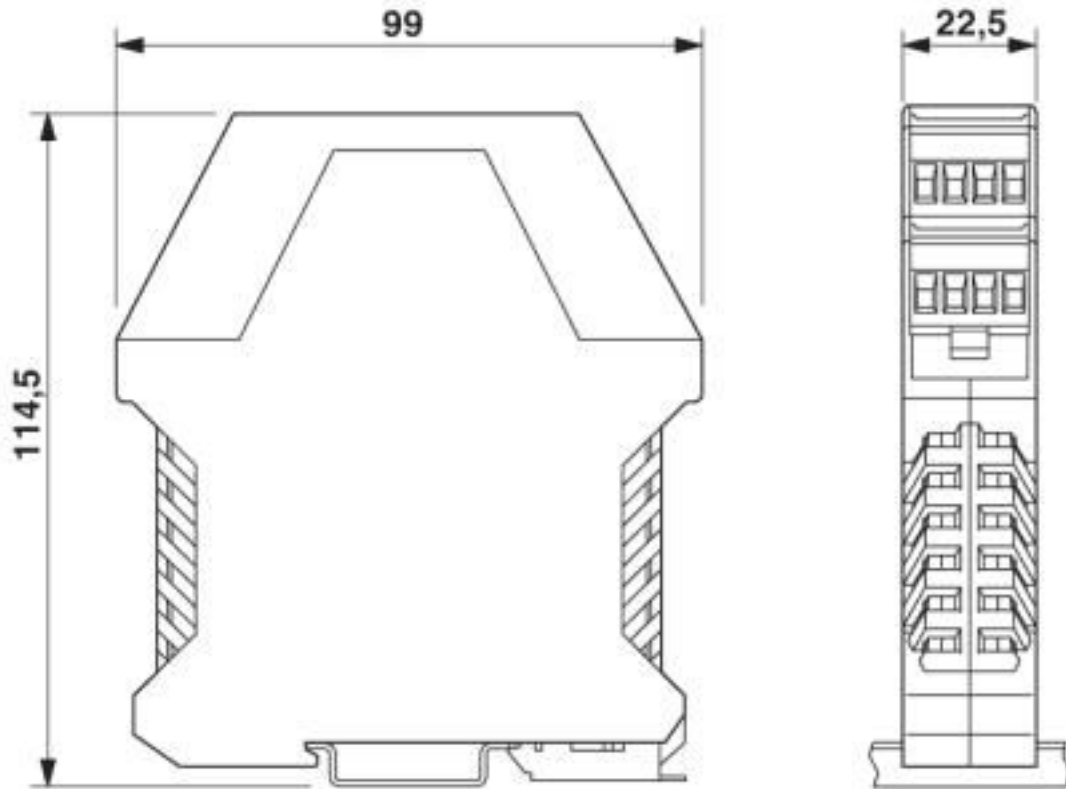
Environmental Product Compliance

REACH SVHC	Lead 7439-92-1
China RoHS	Environmentally Friendly Use Period = 50 years
	For details about hazardous substances go to tab "Downloads", Category "Manufacturer's declaration"

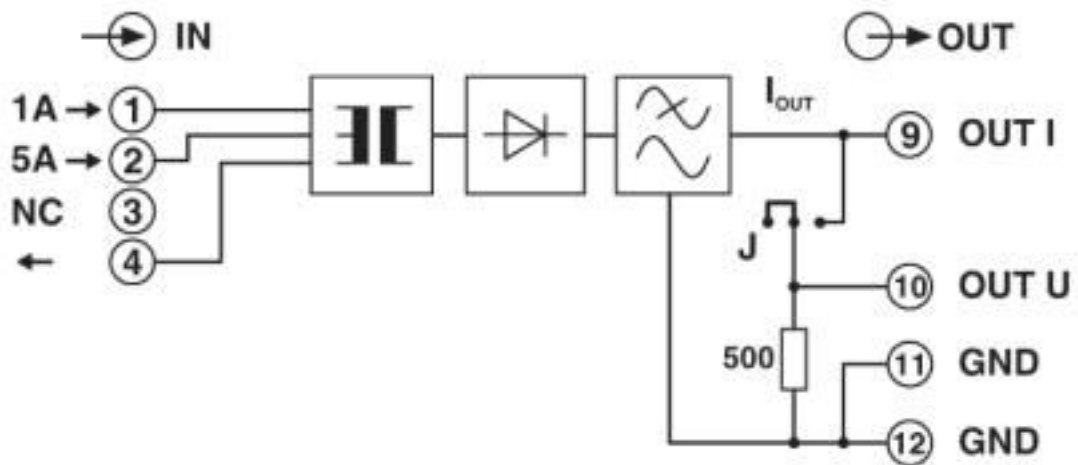
Drawings

Current transducers - MCR-SLP-1-5-UI-0 - 2814359

Dimensional drawing



Circuit diagram



Classifications

eCl@ss

eCl@ss 10.0.1	27210123
eCl@ss 4.0	27271100
eCl@ss 4.1	27200300

Current transducers - MCR-SLP-1-5-UI-0 - 2814359

Classifications

eCl@ss

eCl@ss 5.0	27200300
eCl@ss 5.1	27200300
eCl@ss 6.0	27210100
eCl@ss 7.0	27210123
eCl@ss 8.0	27210123
eCl@ss 9.0	27210123

ETIM

ETIM 3.0	EC002475
ETIM 4.0	EC002475
ETIM 5.0	EC002475
ETIM 6.0	EC002475
ETIM 7.0	EC002475

UNSPSC

UNSPSC 6.01	30211506
UNSPSC 7.0901	39121008
UNSPSC 11	39121008
UNSPSC 12.01	39121008
UNSPSC 13.2	39121032
UNSPSC 18.0	39121032
UNSPSC 19.0	39121032
UNSPSC 20.0	39121032
UNSPSC 21.0	39121032

Approvals

Approvals

Approvals

UL Recognized / cUL Recognized / EAC / cULus Recognized

Ex Approvals


Approval details

UL Recognized		http://database.ul.com/cgi-bin/XYV/template/LISEXT/1FRAME/index.htm	FILE E 238705
---------------	--	---	---------------

Current transducers - MCR-SLP-1-5-UI-0 - 2814359

Approvals

cUL Recognized		http://database.ul.com/cgi-bin/XYV/template/LISEXT/1FRAME/index.htm	FILE E 238705
----------------	---	---	---------------

EAC		RU*DE.*08.B.01852-19
-----	---	----------------------

cULus Recognized	
------------------	---

Phoenix Contact 2020 © - all rights reserved
<http://www.phoenixcontact.com>

PHOENIX CONTACT GmbH & Co. KG
Flachsmarktstr. 8
32825 Blomberg
Germany
Tel. +49 5235 300
Fax +49 5235 3 41200
<http://www.phoenixcontact.com>

X-ON Electronics

Largest Supplier of Electrical and Electronic Components

Click to view similar products for [Terminal Block Interface Modules](#) category:

Click to view products by [Phoenix Contact](#) manufacturer:

Other Similar products are found below :

[73-551-6002I](#) [GCN1MX25B](#) [DIN-50P-01](#) [DIN-68H-01](#) [DIN-96DI-01](#) [2291901](#) [2295185](#) [2907794](#) [2M10FCL](#) [FLKM-2I/O](#) [FLKM-4I/O](#)
[2281759](#) [2906251](#) [2907808](#) [5601749](#) [5541962](#) [1776613-1](#) [GCN1-004A](#) [ADAM-3920R-AE](#) [060-6827-06](#) [2311030](#) [2287708](#) [XW2C-20G6-](#)
[IO16](#) [GCN1-T](#) [MACX](#) [MCR-VAC](#) [5775235](#) [ADAM-3956-BE](#) [XW6T-COM2.5X20YL](#) [XW6T-COM1.5X8BL](#) [XW6T-COM1.5X16BL](#)
[XW6T-COM1.5X20YL](#) [XW6T-COM1.5X16YL](#) [XW6T-COM1.5X20RD](#) [XW6T-COM1.5X20BL](#) [XW6T-COM2.5X8BL](#) [1976610000](#) [UM](#)
[45-D50SUB/B/ZFKDS](#) [5541234](#) [410-261](#) [902056](#) [2906243](#) [2906915](#) [2907706](#) [ADAM-3909-AE](#) [ADAM-3920-AE](#) [ADAM-3925-AE](#)
[ADAM-3937-BE](#) [ADAM-3950-AE](#) [ADAM-3951-BE](#) [ADAM-3968-AE](#)