

## Frequency transducer - MCR-F-UI-DC - 2814605

Please be informed that the data shown in this PDF Document is generated from our Online Catalog. Please find the complete data in the user's documentation. Our General Terms of Use for Downloads are valid (<http://phoenixcontact.com/download>)



MCR frequency measuring transducer, programmable, for converting frequencies into analog signals, with 3-way isolation and configurable output

### Your advantages

- ✓ Replacement product MINI MCR-2-F-UI(-PT) 2902056 (2902058, Push-in version) in combination with MINI MCR-2-SPS-24-15(-PT) 1033202 (1033201, Push-in version)
- ✓ Can be programmed via membrane keypad or software
- ✓ Display of the input or output signal
- ✓ 3-way isolation
- ✓ Analog and switching output
- ✓ For NAMUR sensors, floating contacts, frequency generators, and NPN/PNP transistor outputs
- ✓ Frequencies up to 120 kHz



### Key Commercial Data

Packing unit	1 pc
GTIN	
GTIN	4017918168827

### Technical data

#### Note

Utilization restriction	EMC: class A product, see manufacturer's declaration in the download area
-------------------------	---

#### Dimensions

Width	45 mm
Height	75 mm
Depth	110 mm

#### Ambient conditions

Ambient temperature (operation)	-20 °C ... 65 °C (for specified data)
---------------------------------	---------------------------------------

# Frequency transducer - MCR-F-UI-DC - 2814605

## Technical data

### Input data

Frequency input	Frequency input
Configurable/programmable	Yes
Frequency measuring range	0.1 Hz ... 120 kHz
Available input sources	NPN/PNP transistor outputs
	NAMUR initiators
	Floating relay contact (dry contact)
	Frequency generator
Encoder supply voltage	approx. 15 V DC
Encoder supply current	max. 25 mA (constant)
Signal level	2 V <sub>PP</sub> (In case of rectangle 0.1 Hz ... 120 kHz)
	2 V <sub>PP</sub> (In case of sine 8 Hz ... 120 kHz)
	13 V <sub>PP</sub> (In case of sine 1 Hz ... 120 kHz)
Max. input amplitude	30 V (incl. DC voltage)
Impulse form	any
Pulse time	≥ 1 μs
Measured value resolution	> 12 bit
A/D conversion time	≤ 32 ms
Signal input	Current input (isolating amplifier function)
Configurable/programmable	Yes
Current input signal	0 mA ... 20 mA (freely adjustable)
Input resistance current input	200 Ω
Measured value resolution	14 bit (full-scale)
Step response (10-90%)	< 25 ms
Signal input	Voltage input (isolating amplifier function)
Configurable/programmable	Yes
Voltage input signal	0 V ... 10 V (freely adjustable)
Input resistance of voltage input	95 kΩ
Measured value resolution	14 bit (full-scale)
Step response (10-90%)	< 25 ms

### Output data

Output name	Voltage output
Number of outputs	1
Configurable/programmable	Yes
Voltage output signal	0 V ... 10 V
	0 V ... 5 V
	10 V ... 0 V
	5 V ... 0 V
Max. output voltage	12.5 V
Load/output load voltage output	≥ 500 Ω
Ripple	< 20 mV <sub>PP</sub>

# Frequency transducer - MCR-F-UI-DC - 2814605

## Technical data

### Output data

Output name	Current output
Configurable/programmable	Yes
Current output signal	0 mA ... 20 mA
	4 mA ... 20 mA
	20 mA ... 0 mA
	20 mA ... 4 mA
Max. output current	25 mA
Load/output load current output	≤ 500 Ω
Ripple	< 20 mV <sub>PP</sub>

### Switching output

Output name	Transistor output, pnp
Output description	Switches supply voltage to terminal block SW, can carry a load of 100 mA, not protected against short-circuit

### Frequency output

Step response (10-90%)	< 25 ms
------------------------	---------

### Power supply

Supply voltage range	20 V DC ... 30 V DC
Max. current consumption	< 60 mA (without load, without switching output)

### General

Maximum transmission error	≤ 0.15 % (of measured value)
Transmission error, typical	0.1 %
Maximum temperature coefficient	0.015 %/K
Temperature coefficient, typical	0.01 %/K
Alignment zero	± 25 %
Alignment span	± 25 %
Step response (10-90%)	< 25 ms
Status display	LC display
Operating elements	Membrane keypad with 3 keys and LCD display
Protective circuit	Transient protection
	Reverse polarity protection
Test voltage, input/output/supply	1.5 kV (50 Hz, 1 min.)
Color	green
Housing material	ASA-PC (V0)
Mounting position	any

### Standards and Regulations

Connection in acc. with standard	CUL
Conformance	CE-compliant
UL, USA/Canada	Class I, Div. 2, Groups A, B, C, D or Non-Hazardous Locations
GL	DNV GL

# Frequency transducer - MCR-F-UI-DC - 2814605

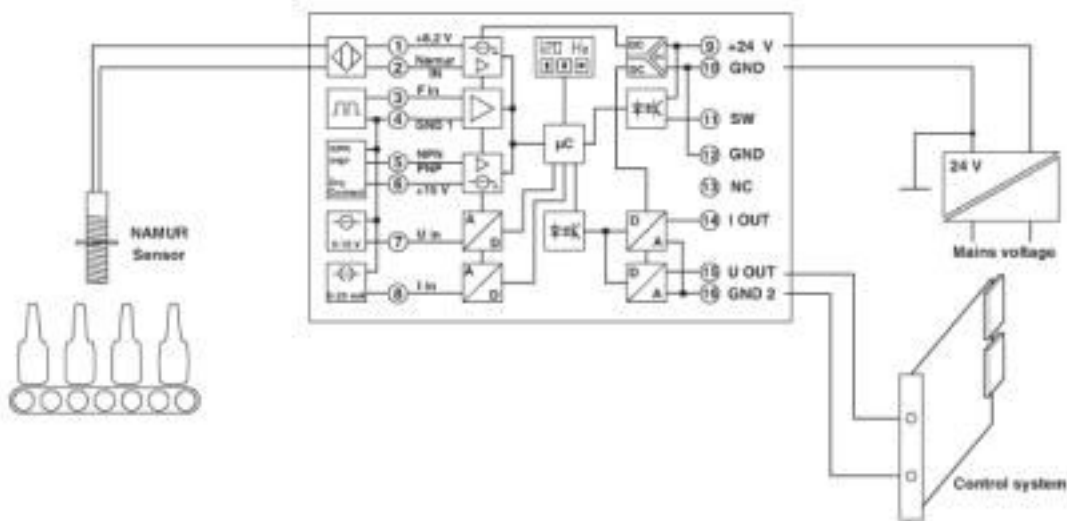
## Technical data

### Environmental Product Compliance

China RoHS	Environmentally Friendly Use Period = 50 years
	For details about hazardous substances go to tab "Downloads", Category "Manufacturer's declaration"

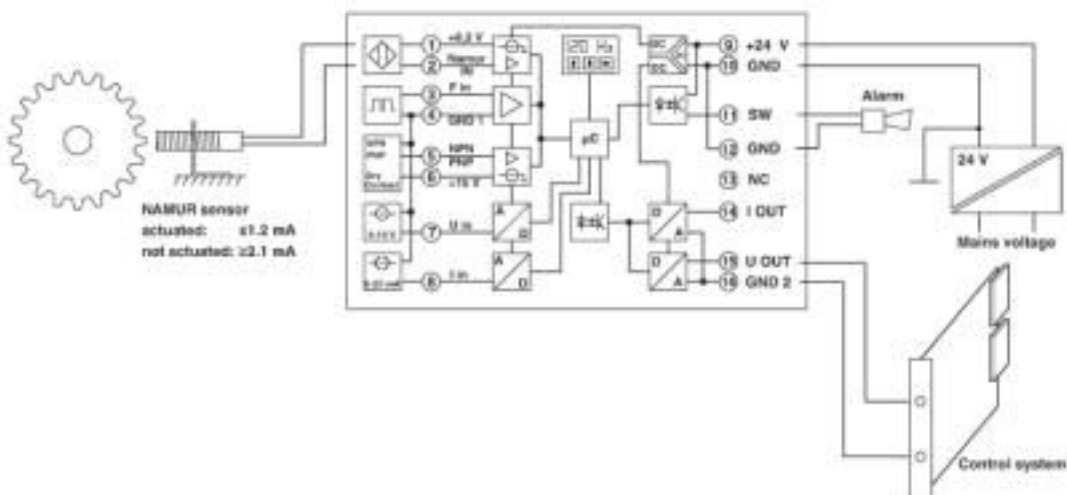
## Drawings

Connection diagram



Application example: Flow measurement

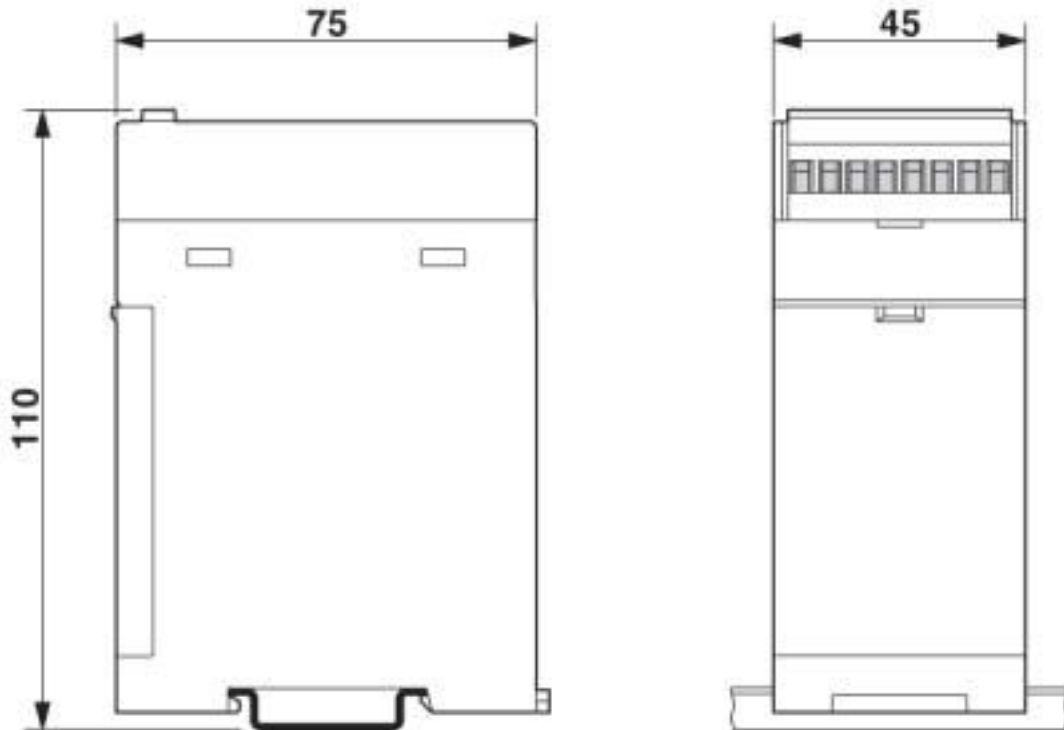
Connection diagram



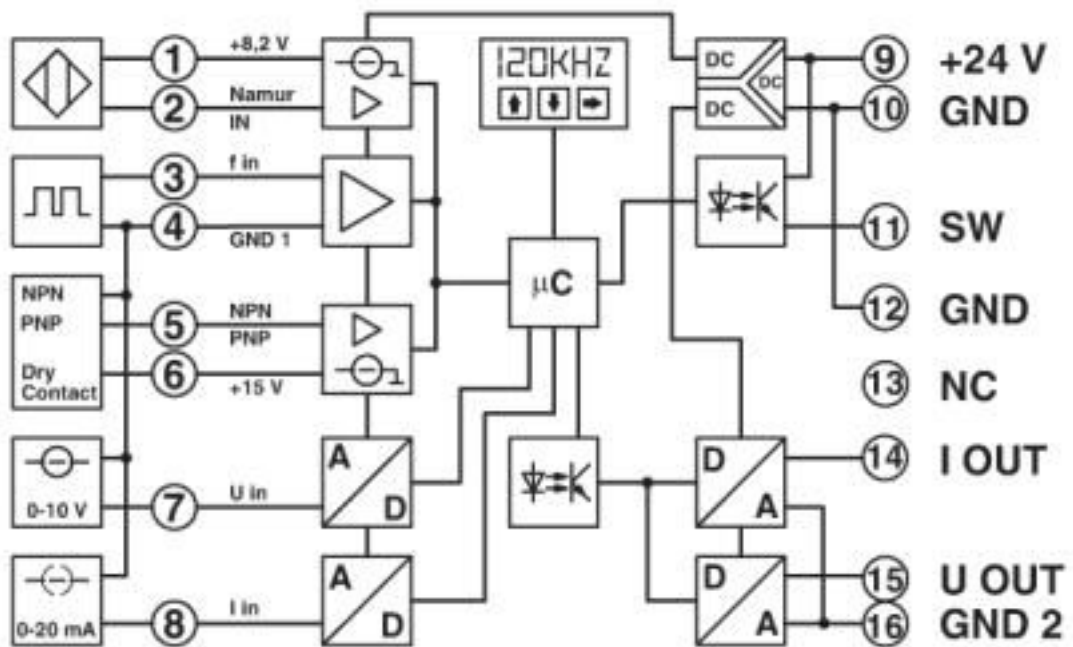
Application example: Measurement of revolutions of a drive

# Frequency transducer - MCR-F-UI-DC - 2814605

Dimensional drawing



Circuit diagram



# Frequency transducer - MCR-F-UI-DC - 2814605

## Classifications

### eCl@ss

eCl@ss 10.0.1	27210120
eCl@ss 4.0	27210120
eCl@ss 4.1	27210120
eCl@ss 5.0	27210120
eCl@ss 5.1	27210100
eCl@ss 6.0	27210100
eCl@ss 7.0	27210120
eCl@ss 8.0	27210120
eCl@ss 9.0	27210120

### ETIM

ETIM 4.0	EC002653
ETIM 5.0	EC002653
ETIM 6.0	EC002653

### UNSPSC

UNSPSC 6.01	30211506
UNSPSC 7.0901	39121008
UNSPSC 11	39121008
UNSPSC 12.01	39121008
UNSPSC 13.2	39121008
UNSPSC 19.0	39121008

## Accessories

### Accessories

#### Adapter cable

Data cable - PSM-KAD 9 SUB 25/BS - 2761295



Adapter cable, 9-pos. D-SUB socket to 25-pos. D-SUB male

### Arrester test system

Cable - CM-KBL-RS232/USB - 2881078



Connecting cable D-9-SUB to USB, with adapter D-9-SUB to D-25-SUB.

## Frequency transducer - MCR-F-UI-DC - 2814605

### Accessories

---

#### Programming adapter

Adapter cable - MCR-TTL-RS232-E - 2814388



Software adapter cable (Stereo jack connector/D-SUB 25-pos.), 1.2 m length, for programming MCR-T-..., MCR-S-... and MCR-f-... modules

---

Phoenix Contact 2020 © - all rights reserved  
<http://www.phoenixcontact.com>

PHOENIX CONTACT GmbH & Co. KG  
Flachsmarktstr. 8  
32825 Blomberg  
Germany  
Tel. +49 5235 300  
Fax +49 5235 3 41200  
<http://www.phoenixcontact.com>

## X-ON Electronics

Largest Supplier of Electrical and Electronic Components

*Click to view similar products for [Terminal Block Interface Modules](#) category:*

*Click to view products by [Phoenix Contact](#) manufacturer:*

Other Similar products are found below :

[73-551-6002I](#) [GCN1MX25B](#) [DIN-50P-01](#) [DIN-68H-01](#) [DIN-96DI-01](#) [2291901](#) [2295185](#) [2907794](#) [2M10FCL](#) [FLKM-2I/O](#) [FLKM-4I/O](#)  
[2281759](#) [2906251](#) [2907808](#) [5601749](#) [5541962](#) [1776613-1](#) [GCN1-004A](#) [ADAM-3920R-AE](#) [060-6827-06](#) [2311030](#) [2287708](#) [XW2C-20G6-](#)  
[IO16](#) [GCN1-T](#) [MACX](#) [MCR-VAC](#) [5775235](#) [ADAM-3956-BE](#) [XW6T-COM2.5X20YL](#) [XW6T-COM1.5X8BL](#) [XW6T-COM1.5X16BL](#)  
[XW6T-COM1.5X20YL](#) [XW6T-COM1.5X16YL](#) [XW6T-COM1.5X20RD](#) [XW6T-COM1.5X20BL](#) [XW6T-COM2.5X8BL](#) [1976610000](#) [UM](#)  
[45-D50SUB/B/ZFKDS](#) [5541234](#) [410-261](#) [2906243](#) [2906915](#) [2907706](#) [ADAM-3909-AE](#) [ADAM-3920-AE](#) [ADAM-3925-AE](#) [ADAM-3937-](#)  
[BE](#) [ADAM-3950-AE](#) [ADAM-3951-BE](#) [ADAM-3968-AE](#) [ADAM-3968/50-AE](#)