

Signal conditioner - MCR-FL-C-UI-2UI-DCI-NC - 2814867

Please be informed that the data shown in this PDF Document is generated from our Online Catalog. Please find the complete data in the user's documentation. Our General Terms of Use for Downloads are valid (<http://phoenixcontact.com/download>)



MCR signal multiplier, for doubling and electrical isolation of analog signals, unconfigured

Your advantages

- Calibrated selectable input and output signals
- 4-way isolation



Key Commercial Data

Packing unit	1 pc
GTIN	
GTIN	4017918820336

Technical data

Dimensions

Width	17.5 mm
Height	99 mm
Depth	114.5 mm

Ambient conditions

Ambient temperature (operation)	-25 °C ... 55 °C
---------------------------------	------------------

Input data

Description of the input	Current input
Number of inputs	1
Configurable/programmable	Yes, unconfigured
Current input signal	0 mA ... 24 mA (freely selectable in 0.1 mA steps)
Max. input current	50 mA
Input resistance current input	50 Ω
Description of the input	Voltage input

Signal conditioner - MCR-FL-C-UI-2UI-DCI-NC - 2814867

Technical data

Input data

Configurable/programmable	Yes, unconfigured
Voltage input signal	0 V ... 12 V (freely selectable in 0.1 V steps)
max. input voltage	30 V
Input resistance of voltage input	200 kΩ

Output data

Output name	Current output
Number of outputs	2
Configurable/programmable	Yes, unconfigured
Voltage output signal	0 V DC ... 10 V DC
	2 V DC ... 10 V DC
	0 V DC ... 5 V DC
	1 V DC ... 5 V DC
Current output signal	see order key / configuration table
Max. output current	35 mA
Load/output load current output	≤ 600 Ω
Output name	Voltage output
Configurable/programmable	Yes, unconfigured
Voltage output signal	see order key / configuration table
Max. output voltage	15 V
Load/output load voltage output	≥ 10 kΩ

Power supply

Supply voltage range	20 V DC ... 30 V DC
Max. current consumption	< 25 mA

General

No. of channels	2
Maximum transmission error	≤ 0.15 % (of final value)
Transmission error, typical	0.05 % (of final value)
Maximum temperature coefficient	< 0.015 %/K
Temperature coefficient, typical	0.0075 %/K
Limit frequency (3 dB)	30 Hz
Step response (10-90%)	12 ms
Protective circuit	Transient protection
Test voltage, input/output/supply	1.5 kV (50 Hz, 1 min.)
Color	green
Housing material	Polyamide PA non-reinforced
Mounting position	any

Standards and Regulations

Connection in acc. with standard	CUL
Conformance	CE-compliant

Signal conditioner - MCR-FL-C-UI-2UI-DCI-NC - 2814867

Technical data

Standards and Regulations

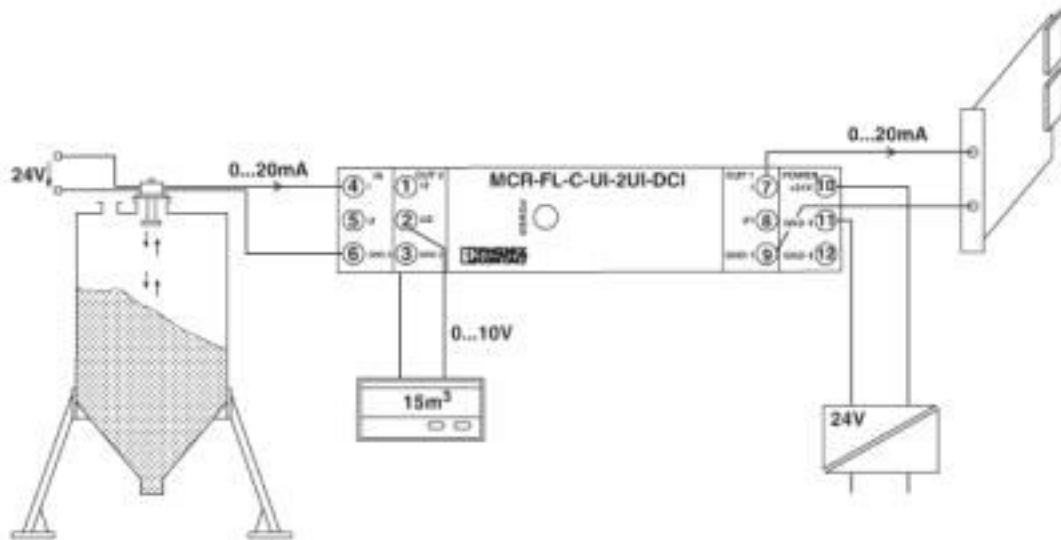
UL, USA/Canada	Class I, Div. 2, Groups A, B, C, D or Non-Hazardous Locations
----------------	---

Environmental Product Compliance

China RoHS	Environmentally Friendly Use Period = 50 years
	For details about hazardous substances go to tab "Downloads", Category "Manufacturer's declaration"

Drawings

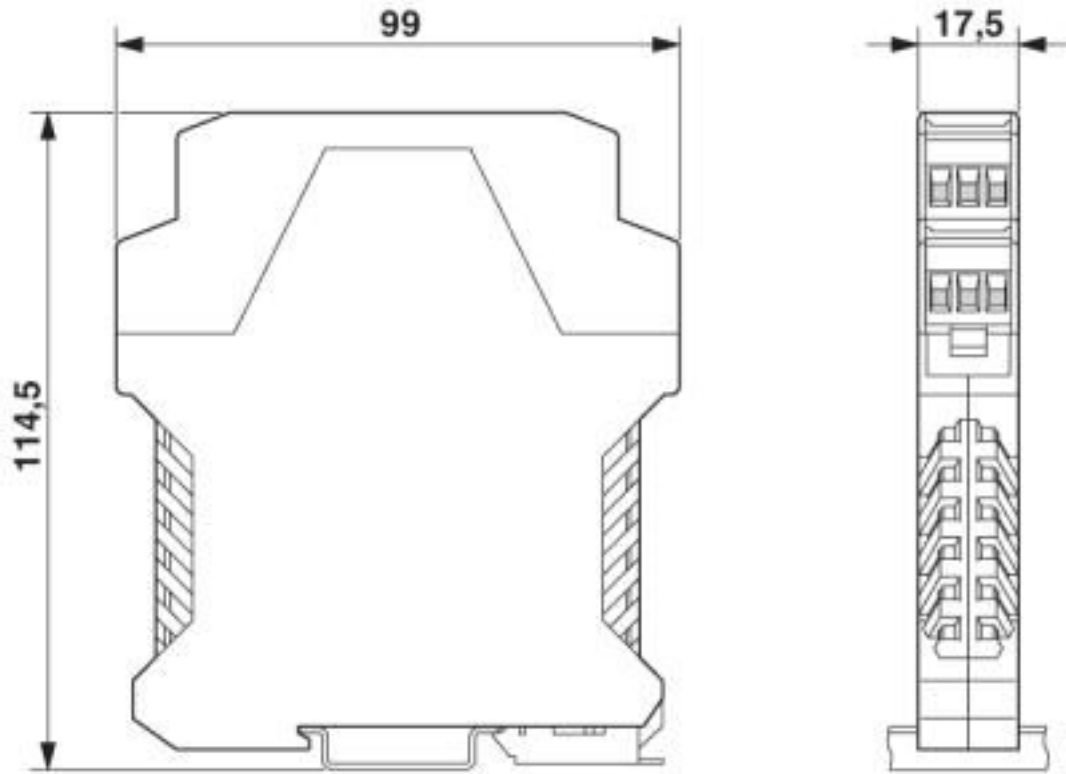
Application drawing



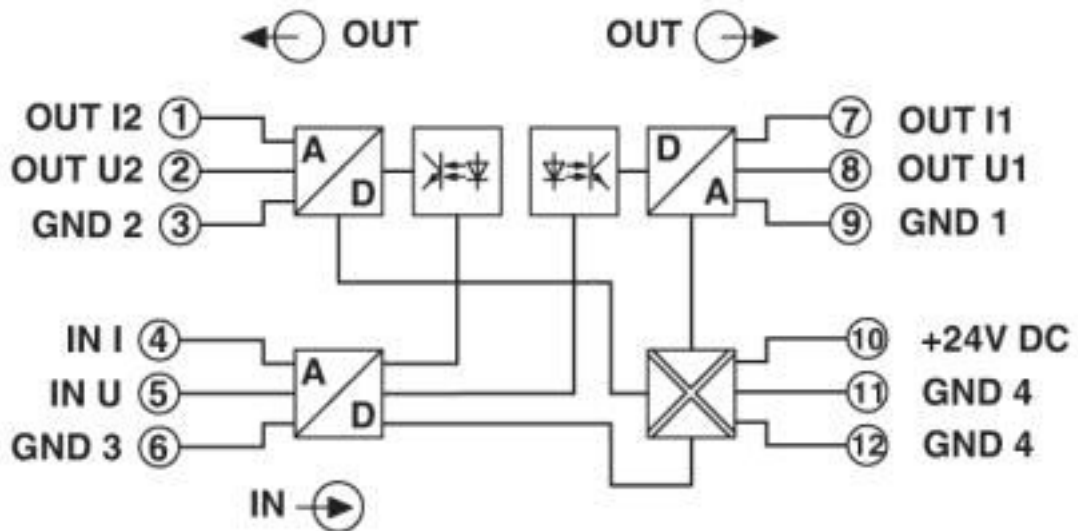
Application example: - Level measurement with subsequent signal multiplication
 1 = filling level sensor
 2 = control
 3 = mains voltage

Signal conditioner - MCR-FL-C-UI-2UI-DCI-NC - 2814867

Dimensional drawing



Circuit diagram



Classifications

eCl@ss

eCl@ss 10.0.1	27210120
---------------	----------

Signal conditioner - MCR-FL-C-UI-2UI-DCI-NC - 2814867

Classifications

eCl@ss

eCl@ss 4.0	27210120
eCl@ss 4.1	27210120
eCl@ss 5.0	27210120
eCl@ss 5.1	27210100
eCl@ss 6.0	27210100
eCl@ss 7.0	27210120
eCl@ss 8.0	27210120
eCl@ss 9.0	27210120

ETIM

ETIM 4.0	EC002653
ETIM 5.0	EC002653
ETIM 6.0	EC002653

UNSPSC

UNSPSC 6.01	30211506
UNSPSC 7.0901	39121008
UNSPSC 11	39121008
UNSPSC 12.01	39121008
UNSPSC 13.2	39121008
UNSPSC 19.0	39121008

Phoenix Contact 2020 © - all rights reserved
<http://www.phoenixcontact.com>

PHOENIX CONTACT GmbH & Co. KG
Flachsmarktstr. 8
32825 Blomberg
Germany
Tel. +49 5235 300
Fax +49 5235 3 41200
<http://www.phoenixcontact.com>

X-ON Electronics

Largest Supplier of Electrical and Electronic Components

Click to view similar products for [DIN Rail Terminal Blocks](#) category:

Click to view products by [Phoenix Contact](#) manufacturer:

Other Similar products are found below :

[00110420202](#) [8WA1011-1BH23](#) [8WA1011-1EF20](#) [91.010](#) [9102100000](#) [91.040](#) [9123140000](#) [9123140001](#) [RBO 5-T-B-HEX](#) [1333564](#) [DP25-GY-ND](#) [1431306](#) [1433306](#) [90.070](#) [91.020](#) [912314](#) [260-301_NR](#) [2757571](#) [280-331](#) [280-560](#) [280-564](#) [281-611/281-542](#) [281-673/281-411](#) [281-994](#) [283-317](#) [283-607](#) [2909798](#) [264-724](#) [264-726](#) [280-530](#) [280-555](#) [280-619](#) [281-610](#) [281-622/281-417](#) [284-317](#) [284-601](#) [2907033](#) [3048496](#) [5542152](#) [35956](#) [USK 10](#) [102510](#) [1025100000](#) [5520682](#) [5607102](#) [EMH 25-ZE30](#) [591620-2](#) [UM 45-SEFE M.NUT BK](#) [1-591651-1](#) [8671050000](#)