

Surge protection device - D-FM-A/RJ45-BB - 2818795

Please be informed that the data shown in this PDF Document is generated from our Online Catalog. Please find the complete data in the user's documentation. Our General Terms of Use for Downloads are valid (<http://phoenixcontact.com/download>)



Attachment connector with surge protection for analog telecommunication interfaces. Connection: RJ45 sockets



Key Commercial Data

| | |
|--------------|---------------|
| Packing unit | 1 pc |
| GTIN | |
| GTIN | 4017918161927 |

Technical data

Dimensions

| | |
|--------|---------|
| Height | 25.4 mm |
| Width | 25.4 mm |
| Depth | 102 mm |

Ambient conditions

| | |
|---------------------------------|------------------|
| Ambient temperature (operation) | -25 °C ... 85 °C |
| Degree of protection | IP20 |

General

| | |
|---------------------|---|
| Housing material | Aluminum |
| Color | black |
| Mounting type | Connection-specific intermediate plugging |
| Type | Attachment plug |
| Direction of action | Line-Line & Line-Earth Ground |

Protective circuit

| | |
|-------------------------|----|
| IEC test classification | C2 |
| | C3 |
| VDE requirement class | C2 |

Surge protection device - D-FM-A/RJ45-BB - 2818795

Technical data

Protective circuit

| | |
|--|----------------------|
| | C3 |
| Maximum continuous voltage U_c | 185 V DC |
| Nominal current I_N | 150 mA |
| Operating effective current I_c at U_c | $\leq 10 \mu A$ |
| Residual current I_{PE} | $\leq 1 \mu A$ |
| Nominal discharge current I_n (8/20) μs (line-earth) | 2.5 kA |
| Output voltage limitation at 1 kV/ μs (line-line) spike | $\leq 300 V$ |
| Output voltage limitation at 1 kV/ μs (line-earth) spike | $\leq 1.4 kV$ |
| Output voltage limitation at 1 kV/ μs (line-line) static | $\leq 300 V$ |
| Output voltage limitation at 1 kV/ μs (line-earth) static | $\leq 1.4 kV$ |
| Residual voltage at I_n (line-line) | $\leq 50 V$ |
| Residual voltage at I_n (line-earth) | $\leq 150 V$ |
| Voltage protection level U_p (line-line) | $\leq 300 V$ |
| Voltage protection level U_p (line-earth) | $\leq 1.4 kV$ |
| Response time t_A (line-line) | $\leq 10 ns$ |
| Response time t_A (line-earth) | $\leq 100 ns$ |
| Inductivity in series | 39 $\mu H \pm 10 \%$ |
| Resistance per path | 1 Ω |
| Short-circuit current self-quenching | 150 mA |
| Surge protection fault message | none |

Connection data

| | |
|-----------------------|-------------|
| Connection method | RJ45 |
| Connection method IN | RJ45 socket |
| Connection method OUT | RJ45 socket |

Standards and Regulations

| | |
|-----------------------|-------------------|
| Standards/regulations | Draft IEC 64644-1 |
| | E VDE 0845-3-1 |

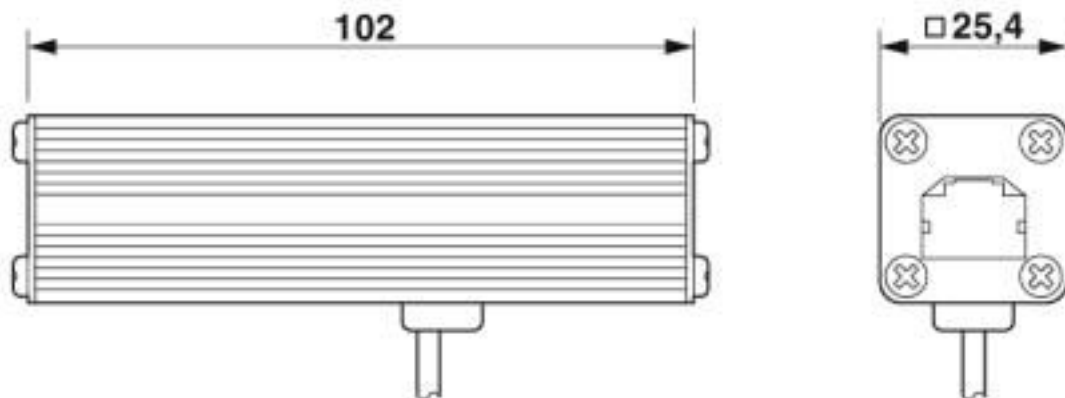
Environmental Product Compliance

| | |
|------------|---|
| REACH SVHC | Lead 7439-92-1 |
| China RoHS | Environmentally friendly use period: unlimited = EFUP-e |
| | No hazardous substances above threshold values |

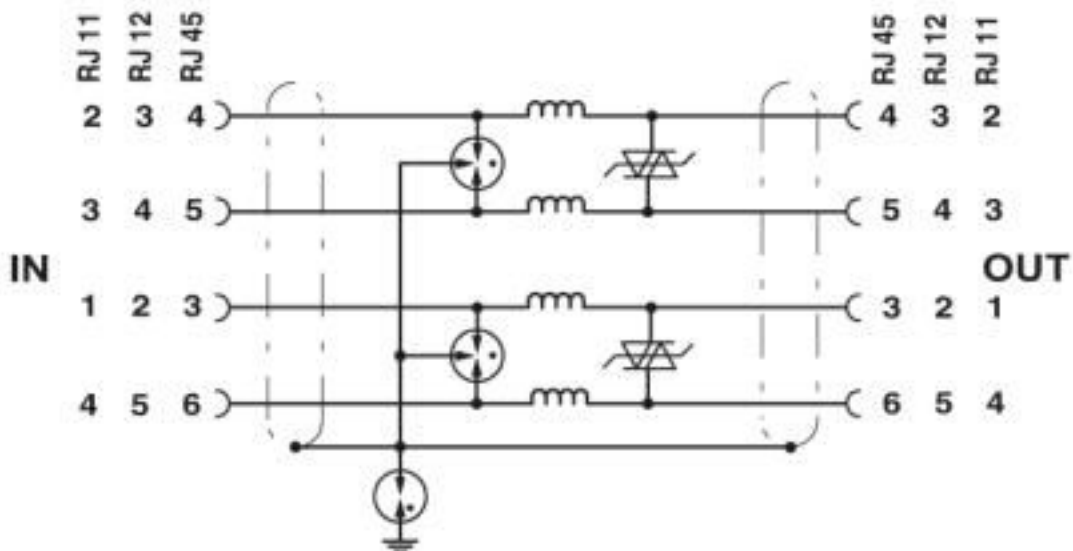
Drawings

Surge protection device - D-FM-A/RJ45-BB - 2818795

Dimensional drawing



Circuit diagram



Classifications

eCl@ss

| | |
|---------------|----------|
| eCl@ss 10.0.1 | 27130807 |
| eCl@ss 4.0 | 27130800 |
| eCl@ss 4.1 | 27130800 |
| eCl@ss 5.0 | 27130800 |
| eCl@ss 5.1 | 27130800 |
| eCl@ss 6.0 | 27130800 |
| eCl@ss 7.0 | 27130807 |
| eCl@ss 8.0 | 27130807 |
| eCl@ss 9.0 | 27130807 |

Surge protection device - D-FM-A/RJ45-BB - 2818795

Classifications

ETIM

| | |
|----------|----------|
| ETIM 2.0 | EC000943 |
| ETIM 3.0 | EC000943 |
| ETIM 4.0 | EC000943 |
| ETIM 5.0 | EC000943 |
| ETIM 6.0 | EC000943 |
| ETIM 7.0 | EC000943 |

UNSPSC

| | |
|---------------|----------|
| UNSPSC 6.01 | 30212010 |
| UNSPSC 7.0901 | 39121610 |
| UNSPSC 11 | 39121610 |
| UNSPSC 12.01 | 39121610 |
| UNSPSC 13.2 | 39121620 |
| UNSPSC 18.0 | 39121620 |
| UNSPSC 19.0 | 39121620 |
| UNSPSC 20.0 | 39121620 |
| UNSPSC 21.0 | 39121620 |

Approvals


Approvals

Approvals

EAC

Ex Approvals

Approval details

| | | |
|-----|---|-------------------------|
| EAC |  | RU C- DE.*09.B.00169 |
|-----|---|-------------------------|

Phoenix Contact 2020 © - all rights reserved
<http://www.phoenixcontact.com>

PHOENIX CONTACT GmbH & Co. KG
Flachmarktstr. 8
32825 Blomberg
Germany
Tel. +49 5235 300
Fax +49 5235 3 41200
<http://www.phoenixcontact.com>

X-ON Electronics

Largest Supplier of Electrical and Electronic Components

Click to view similar products for [Surge Suppressors](#) category:

Click to view products by [Phoenix Contact](#) manufacturer:

Other Similar products are found below :

[GUS1](#) [GUS12](#) [BSPM1A600D600LVR](#) [2800521](#) [29-2053](#) [GUS11](#) [GUS2](#) [GUS3](#) [GUS4](#) [30460](#) [SRA64C060X](#) [PC642C015](#) [1810-15-A3](#)
[2713175](#) [4B06B-EC1-150LF](#) [SRA6LC](#) [BPMA75D100LV](#) [CX06M](#) [CCTV1](#) [GUS13](#) [GUS14](#) [GUS5](#) [GUS6](#) [VAL-MS 320/3+0-FM](#) [VAL-US-](#)
[120/40/1+1-FM](#) [VAL-US-120/65/1+1-FM](#) [VAL-US-480D/30/3+0-FM](#) [VAL-US-120/40/1+0-FM](#) [STCHSP121BT1RU](#) [LP-BFDN-CW](#) [LP-](#)
[STRL-NFF](#) [LP-STRL-DFE](#) [GUS22](#) [0804111](#) [5053609](#) [5053201](#) [SPD2-150-1P0](#) [SPD2-550-1P0](#) [6720005416](#) [6720005417](#) [1-2191595-2](#)
[STC-CAT6-P0E-I](#) [SPD2-350-1P0](#) [FLT-CP-350-ST](#) [TTC-6P-3-HF-F-M-12DC-UT-I](#) [SMTPA200](#) [2800989](#) [2906776](#) [2906810](#) [2906847](#)