

Signal isolator - PI-EX-NAM/RNC-NE - 2835367


Please be informed that the data shown in this PDF Document is generated from our Online Catalog. Please find the complete data in the user's documentation. Our General Terms of Use for Downloads are valid (<http://phoenixcontact.com/download>)



Ex i binary input: NAMUR isolation amplifiers. For operating proximity sensors and switches in Ex areas. The binary signals are transmitted to a safe area. Relay output (N/C contact), line fault detection. Galvanic 3-way isolation.



Key Commercial Data

Packing unit	1 pc
GTIN	 4 017918 178475
GTIN	4017918178475

Technical data

Note

Utilization restriction	EMC: class A product, see manufacturer's declaration in the download area
-------------------------	---

Dimensions

Width	12.4 mm
Height	145 mm
Depth	147 mm

Ambient conditions

Ambient temperature (operation)	-20 °C ... 60 °C (vertical assembly) -20 °C ... 55 °C (horizontal assembly)
Ambient temperature (storage/transport)	-40 °C ... 80 °C
Permissible humidity (operation)	5 % ... 95 % (relative humidity, non-condensing)
Noise immunity	EN 61326:1997

Input data

Control current circuit	Intrinsically safe
Available input sources	NAMUR proximity sensors Floating switch contacts

Signal isolator - PI-EX-NAM/RNC-NE - 2835367

Technical data

Input data

	Switch contacts with resistance circuit
Non-load voltage	8.2 V DC \pm 10 %
Switching points (attenuated)	< 1.2 mA (attenuated in acc. with EN 60947-5-6)
Switching points (unattenuated)	> 2.1 mA (non-attenuated in acc. with EN 60947-5-6)
Line error detection	Activated /deactivated via DIP switch

Output data

Switching output	Relay output
Configurable/programmable	Switching behavior can be inverted via DIP switch
Contact type	N/C contact
Contact material	AgSnO, hard gold-plated
Limiting continuous current	1 A (30 V DC) 0.5 A (125 V AC)
Min. contact current	1 mA
Mechanical service life	10 ⁷ cycles
Service life, electrical	2x 10 ⁵ cycles (at full load)

Power supply

Supply voltage range	20 V DC ... 30 V DC
Max. current consumption	max. 40 mA
Power dissipation	max. 0.8 W (24 V)

General

No. of channels	1
Test voltage input/output	1.5 kV AC
Insulation voltage input/output/supply	0.25 kV _{rms}
Status display	Green LED (supply voltage) Yellow LED (status display) Red LED (line errors)
Flammability rating according to UL 94	V0
Electromagnetic compatibility	Conformance with EMC directive 89/336/EC
Interference emission	EN 61326:1997
Housing material	Polyamide PA non-reinforced
Color	green

Safety data

Max. output voltage U _o	10.6 V
Max. output current I _o	33 mA
Max. output power P _o	86 mW
Group	IIA
Max. external inductivity L _o	230 mH
Max. external capacity C _o	72.9 μ F

Signal isolator - PI-EX-NAM/RNC-NE - 2835367

Technical data

Safety data

Group	IIB
Max. external inductivity L _o	110 mH
Max. external capacity C _o	16.2 µF
Group	IIC
Max. external inductivity L _o	30 mH
Max. external capacity C _o	2.3 µF
EEX specification	[EEx ia] IIC, EX II (1)GD, KEMA 00 ATEX 1126

Standards and Regulations

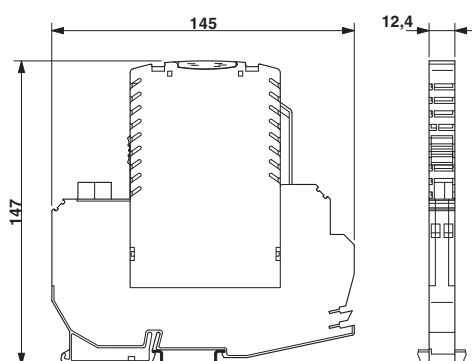
Electromagnetic compatibility	Conformance with EMC directive 89/336/EC
Noise emission	EN 61326:1997
Noise immunity	EN 61326:1997
Flammability rating according to UL 94	V0
Group	IIA
	IIB
	IIC
EEX specification	[EEx ia] IIC, EX II (1)GD, KEMA 00 ATEX 1126

Environmental Product Compliance

China RoHS	Environmentally Friendly Use Period = 50
	For details about hazardous substances go to tab "Downloads", Category "Manufacturer's declaration"

Drawings

Dimensional drawing



Approvals

Approvals

Signal isolator - PI-EX-NAM/RNC-NE - 2835367

Approvals


Approvals

EAC

Ex Approvals

ATEX

Approval details

EAC		RU C- DE.A*30.B.01742
-----	---	--------------------------

Phoenix Contact 2018 © - all rights reserved

<http://www.phoenixcontact.com>

PHOENIX CONTACT GmbH & Co. KG

Flachsmarktstr. 8

32825 Blomberg

Germany

Tel. +49 5235 300

Fax +49 5235 3 41200

<http://www.phoenixcontact.com>

X-ON Electronics

Largest Supplier of Electrical and Electronic Components

Click to view similar products for [Terminal Block Interface Modules](#) category:

Click to view products by [Phoenix Contact](#) manufacturer:

Other Similar products are found below :

[73-551-6002I](#) [GCN1MX25B](#) [DIN-50P-01](#) [DIN-68H-01](#) [DIN-96DI-01](#) [2291901](#) [2295185](#) [2907794](#) [2M10FCL](#) [FLKM-2I/O](#) [FLKM-4I/O](#)
[2281759](#) [2906251](#) [2907808](#) [5601749](#) [5541962](#) [1776613-1](#) [GCN1-004A](#) [ADAM-3920R-AE](#) [060-6827-06](#) [2311030](#) [2287708](#) [XW2C-20G6-](#)
[IO16](#) [GCN1-T](#) [MACX](#) [MCR-VAC](#) [5775235](#) [ADAM-3956-BE](#) [XW6T-COM2.5X20YL](#) [XW6T-COM1.5X8BL](#) [XW6T-COM1.5X16BL](#)
[XW6T-COM1.5X20YL](#) [XW6T-COM1.5X16YL](#) [XW6T-COM1.5X20RD](#) [XW6T-COM1.5X20BL](#) [XW6T-COM2.5X8BL](#) [1976610000](#) [UM](#)
[45-D50SUB/B/ZFKDS](#) [5541234](#) [410-261](#) [902056](#) [2906243](#) [2906915](#) [2907706](#) [ADAM-3909-AE](#) [ADAM-3920-AE](#) [ADAM-3925-AE](#)
[ADAM-3937-BE](#) [ADAM-3950-AE](#) [ADAM-3951-BE](#) [ADAM-3968-AE](#)