

Basic terminal block - PI-EX-MB/ 8/3/D-9SUB - 2835558


Please be informed that the data shown in this PDF Document is generated from our Online Catalog. Please find the complete data in the user's documentation. Our General Terms of Use for Downloads are valid (<http://phoenixcontact.com/download>)



Ex universal module carrier (motherboard) to hold 3-conductor measuring transducers, intrinsically safe, for max. 8 PI-... modules, for mounting on NS 35/7.5 or NS 32



Key Commercial Data

Packing unit	1 pc
GTIN	 4 017918 951160
GTIN	4017918951160

Technical data

Note

Utilization restriction	EMC: class A product, see manufacturer's declaration in the download area
-------------------------	---

Dimensions

Width	124.7 mm
Height	127.5 mm
Depth	92 mm

Ambient conditions

Ambient temperature (operation)	-20 °C ... 60 °C
Ambient temperature (storage/transport)	-40 °C ... 75 °C

General

Nominal voltage U_N	265 V AC (UB+, UB-)
Nom. voltage	20 V DC ... 35 V DC (See nominal voltage, PI modules)
Housing insulation material	Polyamide PA non-reinforced, polycarbonate PC, PVC
Flammability rating according to UL 94	V0
Color	green
Conformance	CE-compliant

Basic terminal block - PI-EX-MB/ 8/3/D-9SUB - 2835558

Technical data

General

ATEX	# II (1) G [Ex ia] IIC
	# II (1) D [Ex iaD] IIC
	# II 3 G Ex nA II T4 X

Standards and Regulations

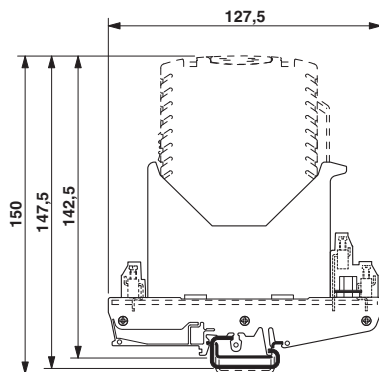
Flammability rating according to UL 94	V0
Conformance	CE-compliant
ATEX	# II (1) G [Ex ia] IIC
	# II (1) D [Ex iaD] IIC
	# II 3 G Ex nA II T4 X

Environmental Product Compliance

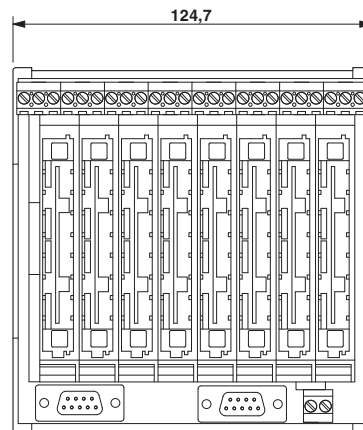
REACH SVHC	Lead 7439-92-1
China RoHS	Environmentally Friendly Use Period = 50
	For details about hazardous substances go to tab "Downloads", Category "Manufacturer's declaration"

Drawings

Dimensional drawing



Dimensional drawing



Approvals

Approvals

Approvals

EAC


Ex Approvals

null / null / null / null / null / null / null

Basic terminal block - PI-EX-MB/ 8/3/D-9SUB - 2835558

Approvals

Approval details

EAC		RU C- DE.A*30.B.01742
-----	---	--------------------------

Phoenix Contact 2018 © - all rights reserved
<http://www.phoenixcontact.com>

PHOENIX CONTACT GmbH & Co. KG
Flachsmarktstr. 8
32825 Blomberg
Germany
Tel. +49 5235 300
Fax +49 5235 3 41200
<http://www.phoenixcontact.com>

X-ON Electronics

Largest Supplier of Electrical and Electronic Components

Click to view similar products for [Pluggable Terminal Blocks](#) category:

Click to view products by [Phoenix Contact](#) manufacturer:

Other Similar products are found below :

[57.510.0053](#) [MC 1.5/ 6-ST-3.5 GY AU](#) [734-104](#) [734-302](#) [8-141-P](#) [8426620000](#) [860505](#) [860810](#) [GBPACX-12](#) [93.731.4953.0](#) [PV05-5,08-K](#)
[PVP02-5,00](#) [PVP03-3,50](#) [PVP04-3,50](#) [PVS02-5,00](#) [1-1986160-3](#) [1377680000](#) [1531000000](#) [1546228-5](#) [ELFH16150](#) [ELFP03110](#)
[ELFP10210](#) [ELFT06250](#) [ELVP03100](#) [1700101](#) [1700410](#) [1700425](#) [1702246](#) [1705229](#) [1710175](#) [1714537](#) [1717806](#) [1719600](#) [1728941](#)
[1734692](#) [1734795](#) [1736036](#) [1740194](#) [1740291](#) [1740628](#) [1740990](#) [1746952](#) [1750207](#) [1752441](#) [1752865](#) [1754115](#) [1754144](#) [1756913](#)
[1760051](#) [1760336](#)