

Signal isolator - PI-EX-NAM/TO - 2835574


Please be informed that the data shown in this PDF Document is generated from our Online Catalog. Please find the complete data in the user's documentation. Our General Terms of Use for Downloads are valid (<http://phoenixcontact.com/download>)



Ex i binary input: NAMUR isolation amplifiers. For operating proximity sensors and switches in Ex areas. The binary signals are transmitted to a safe area. Transistor output (active), line fault detection. Electrical isolation.



Key Commercial Data

Packing unit	1 pc
GTIN	 4 017918 894863
GTIN	4017918894863

Technical data

Note

Utilization restriction	EMC: class A product, see manufacturer's declaration in the download area
-------------------------	---

Dimensions

Width	12.4 mm
Height	145 mm
Depth	147 mm

Ambient conditions

Ambient temperature (operation)	-20 °C ... 60 °C (see data sheet)
Ambient temperature (storage/transport)	-40 °C ... 85 °C

Input data

Non-load voltage	8.2 V DC ±10 %
Switching points (attenuated)	< 1.2 mA (blocking)
Switching points (unattenuated)	> 2.1 mA (conductive)
Signal input	Intrinsically safe
Available input sources	NAMUR proximity sensors (EN 60947-5-6)

Output data

Signal isolator - PI-EX-NAM/TO - 2835574

Technical data

Output data

Switching output	Transistor output, active, pnp
Configurable/programmable	Can be inverted via slide switch
Switching current	100 mA (short-circuit resistant)
Switching frequency	max. 1.2 kHz (DC)

Power supply

Supply voltage range	20 V DC ... 30 V DC
Max. current consumption	25 mA
Power consumption	max. 0.6 W (24 V)

Connection data

Connection method	Screw connection
-------------------	------------------

General

No. of channels	1
Status display	Green LED (supply voltage) Yellow LED (status display) Red LED (line errors)
Flammability rating according to UL 94	V0
Standards/regulations	NAMUR recommendation NE 21
Housing material	PBT and polyamide PA non-reinforced
Color	green
Designation	Input/output
Electrical isolation	375 V (Peak value as per EN 50020 / EN 60079-11)
Designation	Input/power supply
Electrical isolation	375 V (Peak value as per EN 50020 / EN 60079-11)
Conformance	CE-compliant
ATEX	# II (1) GD [EEx ia] IIC # II 3 G Ex nA II T4 X
UL, USA/Canada	UL applied for

Safety data

Max. output voltage U_o	10.6 V
Max. output current I_o	33 mA
Max. output power P_o	86 mW
Group	IIA
Max. external inductivity L_o	230 mH
Max. external capacity C_o	72 μ F
Group	IIB
Max. external inductivity L_o	110 mH
Max. external capacity C_o	16.2 μ F
Group	IIC

Signal isolator - PI-EX-NAM/TO - 2835574

Technical data

Safety data

Max. external inductivity L_o	30 mH
Max. external capacity C_o	2.3 μ F
Safety-related maximum voltage U_m	250 V AC

Standards and Regulations

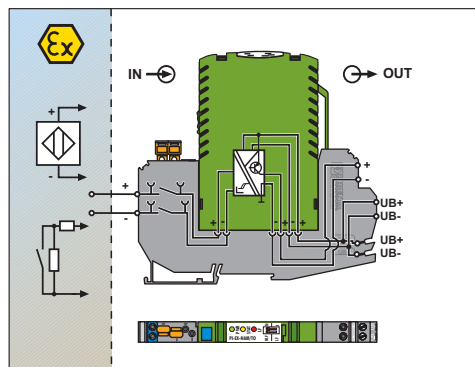
Standards/regulations	NAMUR recommendation NE 21
Flammability rating according to UL 94	V0
Conformance	CE-compliant
ATEX	# II (1) GD [EEx ia] IIC
	# II 3 G Ex nA II T4 X
UL, USA/Canada	UL applied for
Group	IIA
	IIB
	IIC

Environmental Product Compliance

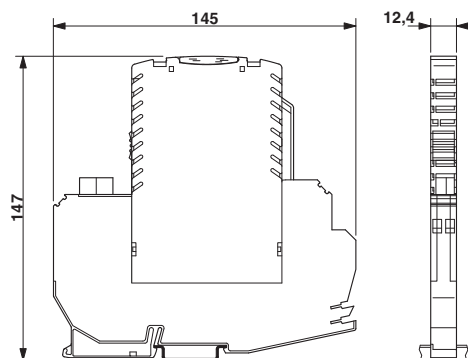
China RoHS	Environmentally Friendly Use Period = 50
	For details about hazardous substances go to tab "Downloads", Category "Manufacturer's declaration"

Drawings

Block diagram



Dimensional drawing



Approvals

Approvals

Approvals

EAC

Signal isolator - PI-EX-NAM/TO - 2835574

Approvals

Ex Approvals

null / null / null

Approval details

EAC



RU C-
DE.A*30.B.01742

Phoenix Contact 2018 © - all rights reserved
<http://www.phoenixcontact.com>

PHOENIX CONTACT GmbH & Co. KG
Flachsmarktstr. 8
32825 Blomberg
Germany
Tel. +49 5235 300
Fax +49 5235 3 41200
<http://www.phoenixcontact.com>

X-ON Electronics

Largest Supplier of Electrical and Electronic Components

Click to view similar products for [DIN Rail Terminal Blocks](#) category:

Click to view products by [Phoenix Contact](#) manufacturer:

Other Similar products are found below :

[00110420202](#) [8WA1011-1BH23](#) [8WA1011-1EF20](#) [91.010](#) [9102100000](#) [91.040](#) [9123140000](#) [9123140001](#) [RBO 5-T-B-HEX](#) [1333564](#) [DP25-GY-ND](#) [1431306](#) [1433306](#) [90.070](#) [91.020](#) [912314](#) [260-301_NR](#) [2757571](#) [280-331](#) [280-560](#) [280-564](#) [281-611/281-542](#) [281-673/281-411](#) [281-994](#) [283-317](#) [283-607](#) [2909798](#) [264-724](#) [264-726](#) [280-530](#) [280-555](#) [280-619](#) [281-610](#) [281-622/281-417](#) [284-317](#) [284-601](#) [2907033](#) [3048496](#) [5542152](#) [35956](#) [USK 10](#) [102510](#) [1025100000](#) [5520682](#) [5607102](#) [EMH 25-ZE30](#) [591620-2](#) [UM 45-SEFE M.NUT BK](#) [1-591651-1](#) [8671050000](#)