

# Signal isolator - PI-EX-IDS-I/I - 2835613

Please be informed that the data shown in this PDF Document is generated from our Online Catalog. Please find the complete data in the user's documentation. Our General Terms of Use for Downloads are valid (<http://phoenixcontact.com/download>)



Ex i output signal conditioner, HART-compatible. Isolates and sends intrinsically safe 0/4-20 mA signals to a load (I/P converters, control valves, displays) in Ex areas. Galvanic 3-way isolation (input / output / supply). Line fault detection.



## Key Commercial Data

Packing unit	1 pc
GTIN	
GTIN	4017918934149

## Technical data

### Note

Utilization restriction	EMC: class A product, see manufacturer's declaration in the download area
-------------------------	---

### Dimensions

Width	12.4 mm
Height	145 mm
Depth	147 mm

### Ambient conditions

Ambient temperature (operation)	-20 °C ... 55 °C (see data sheet)
Ambient temperature (storage/transport)	-40 °C ... 80 °C
Permissible humidity (operation)	5 % ... 95 % (non-condensing)

### Input data

Signal input	Current input
Current input signal	4 mA ... 20 mA
	0 mA ... 20 mA
Input resistance current input	5.4 V (at 20 mA)
Input current range	0 mA ... 22 mA

# Signal isolator - PI-EX-IDS-I/I - 2835613

## Technical data

### Output data

Signal output	Intrinsically safe
Current output signal	4 mA ... 20 mA
	0 mA ... 20 mA
Load/output load current output	≤ 800 Ω
Output ripple (current)	< 50 μA <sub>PP</sub> (For 800 Ω)

### Power supply

Supply voltage range	20 V DC ... 35 V DC
Max. current consumption	< 15 mA (At 24 V DC / 0 mA)
Power consumption	max. 1.2 W (At 24 V DC / 20 mA)

### Connection data

Connection method	Screw connection
-------------------	------------------

### General

No. of channels	1
Maximum transmission error	≤ 0.1 % (Of end value (at 20°C))
Maximum temperature coefficient	< 0.01 %/K
Step response (10-90%)	< 140 μs
Status display	Green LED (supply voltage, PWR)
Flammability rating according to UL 94	V0
Standards/regulations	NAMUR recommendation NE 21
Housing material	PBT and polyamide PA non-reinforced
Color	green
Designation	Input/output
Electrical isolation	375 V (Peak value in accordance with EN 60079-11)
Designation	Input/power supply
Electrical isolation	1.5 kV (50 Hz, 1 min., test voltage)
Designation	Output/supply
Electrical isolation	375 V (Peak value in accordance with EN 60079-11)
Conformance	CE-compliant
ATEX	# II (1) GD [EEx ia] IIC
	# II 3 G Ex nA II T4 X
UL, USA/Canada	UL applied for

### Data communication (bypass)

HART function	Yes
Protocols supported	HART

### Safety data

Max. inductance L <sub>i</sub>	0.1 mH
Max. capacitance C <sub>i</sub>	5 nF
Max. output voltage U <sub>o</sub>	27.7 V

# Signal isolator - PI-EX-IDS-I/I - 2835613

## Technical data

### Safety data

Max. output current $I_o$	92 mA
Max. output power $P_o$	638 mW
Group	IIB
Max. external inductivity $L_o$	15 mH
Max. external capacity $C_o$	658 nF
Additional text	The maximum values should be used either solely as concentrated capacitance values or solely as concentrated inductance values, or as cable reactance values
Group	IIB
Max. external inductivity $L_o$	1.9 mH
Max. external capacity $C_o$	295 nF
Additional text	The maximum values should also be used as concentrated capacitance values and concentrated inductance values.
Safety-related maximum voltage $U_m$	250 V AC
Group	IIC
Max. external inductivity $L_o$	1.2 mH
Max. external capacity $C_o$	80 nF
Additional text	The maximum values should be used either solely as concentrated capacitance values or solely as concentrated inductance values, or as cable reactance values
Group	IIC
Max. external inductivity $L_o$	0.4 mH
Max. external capacity $C_o$	64 nF
Additional text	The maximum values should also be used as concentrated capacitance values and concentrated inductance values.

### Standards and Regulations

Standards/regulations	NAMUR recommendation NE 21
Flammability rating according to UL 94	V0
Conformance	CE-compliant
ATEX	# II (1) GD [EEx ia] IIC
	# II 3 G Ex nA II T4 X
UL, USA/Canada	UL applied for
Group	IIB
	IIB
	IIC
	IIC

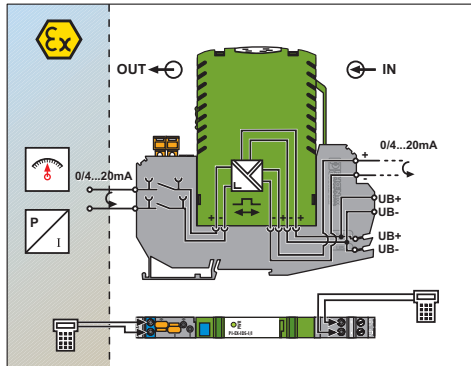
### Environmental Product Compliance

China RoHS	Environmentally Friendly Use Period = 50
	For details about hazardous substances go to tab "Downloads", Category "Manufacturer's declaration"

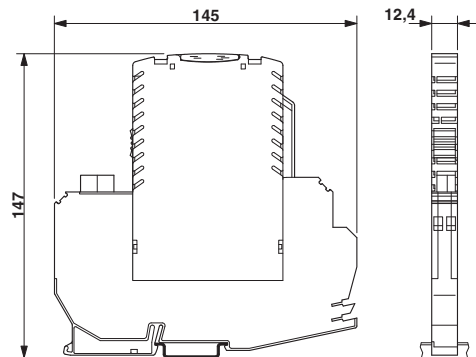
## Drawings

# Signal isolator - PI-EX-IDS-I/I - 2835613

Block diagram



Dimensional drawing



## Approvals

Approvals

Approvals

EAC

Ex Approvals

EAC Ex / null / null / null / null / null / null

## Approval details

EAC		EAC-Zulassung
-----	--	---------------

Phoenix Contact 2018 © - all rights reserved  
http://www.phoenixcontact.com

PHOENIX CONTACT GmbH & Co. KG  
Flachsmarktstr. 8  
32825 Blomberg  
Germany  
Tel. +49 5235 300  
Fax +49 5235 3 41200  
http://www.phoenixcontact.com

## X-ON Electronics

Largest Supplier of Electrical and Electronic Components

*Click to view similar products for [I/O Modules](#) category:*

*Click to view products by [Phoenix Contact](#) manufacturer:*

Other Similar products are found below :

[70L-IDC5S](#) [70L-OAC-L](#) [70Z3289-4](#) [G21960000700](#) [G21960002700](#) [G34960002700](#) [G88104401](#) [OACU](#) [C4SWOUT](#) [PB16H](#)  
[G34960001700](#) [G3TA-OA101SZ-1](#) [DC24](#) [G77-S](#) [G78-16-E](#) [5607189](#) [DA5](#) [ODC-24A](#) [IDC5P](#) [FC6A-N16B1](#) [6421](#) [70MRCQ32-HL](#)  
[G3TAOD201SDC24](#) [C200H-LK201-V1](#) [G3TA-OA202SZ-US](#) [DC12](#) [GT1-OD16](#) [GT1-AD04CST](#) [B7AM-6BS](#) [70GRCQ24-HS](#) [6422](#)  
[84110410](#) [GT1-OD16MX](#) [G7VC-OC16-B7](#) [70MRCK24-DIN](#) [6202](#) [6402](#) [PI/NI-2D/24](#) [FC6A-J2C1](#) [FC6A-KC1C](#) [FC6A-R081](#) [FC6A-](#)  
[J8CU1](#) [GP32900003700](#) [641-480-5022](#) [PB16H](#) [84145010](#) [84110210](#) [FRUSB1601](#) [PCL-720+-BE](#) [FRRJ451601](#) [AP24MX3DB25F](#) [ADAM-](#)  
[5053S-AE](#)