

## Signal monitoring module - PI-N-NAM/RNO - 2835888


Please be informed that the data shown in this PDF Document is generated from our Online Catalog. Please find the complete data in the user's documentation. Our General Terms of Use for Downloads are valid (<http://phoenixcontact.com/download>)



Non-Ex binary input: NAMUR isolation amplifiers. For operating proximity sensors and switches. The binary signals from the field are sent to the control level. Relay output (N/O contact), line fault detection. Electrical isolation.



### Key Commercial Data

Packing unit	1 pc
GTIN	 4 017918 907396
GTIN	4017918907396

### Technical data

#### Dimensions

Width	12.4 mm
Depth	147 mm

#### Ambient conditions

Ambient temperature (operation)	-20 °C ... 55 °C
Ambient temperature (storage/transport)	-25 °C ... 85 °C
Degree of protection	IP20

#### Input data

Non-load voltage	8.2 V DC ±10 %
Switching points (attenuated)	< 1.2 mA (blocking)
Switching points (unattenuated)	> 2.1 mA (conductive)
Available input sources	NAMUR proximity sensors (EN 60947-5-6)

#### Output data

Switching output	Relay output
Configurable/programmable	Can be inverted via slide switch
Contact type	N/O contact, reversal options, SPST
Contact material	AgSnO, hard gold-plated

# Signal monitoring module - PI-N-NAM/RNO - 2835888

## Technical data

### Output data

Limiting continuous current	50 mA (for gold layer, 30 V AC/ 36 V DC)
	3 A (In the event of destroyed gold layer, 250 V AC/DC)
Min. contact current	1 mA
Mechanical service life	10 <sup>7</sup> cycles
Service life, electrical	2x 10 <sup>5</sup> cycles (at full load)
Switching frequency	max. 20 Hz (Load-dependent)

### Power supply

Supply voltage range	20 V DC ... 30 V DC
Max. current consumption	30 mA
Power consumption	0.55 W (24 V)

### Connection data

Connection method	Screw connection
-------------------	------------------

### General

No. of channels	1
Status display	Green LED (supply voltage)
	Yellow LED (status display)
	Red LED (line errors)
Flammability rating according to UL 94	V0
Housing material	PBT and polyamide PA non-reinforced
Color	green
Designation	Input/power supply
Electrical isolation	250 V
Designation	Output/supply
Electrical isolation	1.5 kV (50 Hz, 1 min., test voltage)
Conformance	CE-compliant

### Standards and Regulations

Flammability rating according to UL 94	V0
Conformance	CE-compliant

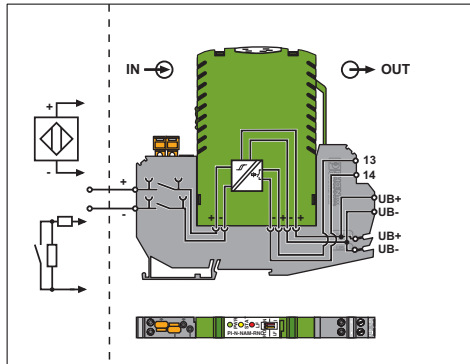
### Environmental Product Compliance

China RoHS	Environmentally Friendly Use Period = 50
	For details about hazardous substances go to tab "Downloads", Category "Manufacturer's declaration"

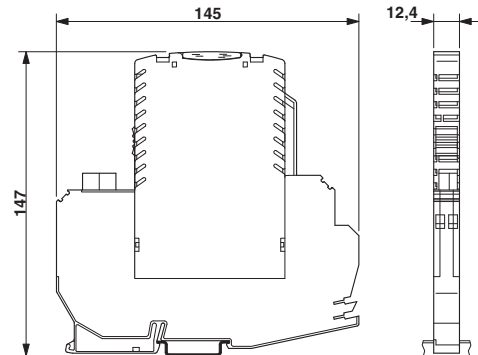
## Drawings

## Signal monitoring module - PI-N-NAM/RNO - 2835888

Block diagram



Dimensional drawing



Phoenix Contact 2018 © - all rights reserved  
<http://www.phoenixcontact.com>

PHOENIX CONTACT GmbH & Co. KG  
Flachsmarktstr. 8  
32825 Blomberg  
Germany  
Tel. +49 5235 300  
Fax +49 5235 3 41200  
<http://www.phoenixcontact.com>

## X-ON Electronics

Largest Supplier of Electrical and Electronic Components

*Click to view similar products for [Antennas](#) category:*

*Click to view products by [Phoenix Contact](#) manufacturer:*

Other Similar products are found below :

[GAN30084EU](#) [930-033-R](#) [GW17.07.0250E](#) [1513563-1](#) [EXE902SM](#) [APAMPG-117](#) [MAF94383](#) [W3908B0100](#) [W6102B0100](#) [YE572113-30RSMM](#) [108-00014-50](#) [66089-2406](#) [A09-F8NF-M](#) [A09-F5NF-M](#) [RGFRA1903041A1T](#) [W3593B0100](#) [W3921B0100](#) [SIMNA-868](#) [SIMNA-915](#) [SIMNA-433](#) [W1044](#) [W1049B090](#) [A75-001](#) [WTL2449CQ1-FRSMM](#) [CPL9C](#) [EXB148BN](#) [0600-00060](#) [TRA9020S3PBN-001](#) [GD5W-28P-NF](#) [MA9-7N](#) [GD53-25](#) [GD5W-21P-NF](#) [EXB144SM](#) [C37](#) [MAF94051](#) [GD35-17P-NF](#) [P1744](#) [MA9-5N](#) [EXD420PL](#) [B1322NR](#) [QWFTB120](#) [MAF94271](#) [MAF94300](#) [GPSMB301](#) [FG4403](#) [AO-AGSM-OM54](#) [5200232](#) [MIKROE-2349](#) [WCM.01.0111](#) [MIKROE-2393](#)