

# Basic terminal block - PI-EX-TB - 2835901


Please be informed that the data shown in this PDF Document is generated from our Online Catalog. Please find the complete data in the user's documentation. Our General Terms of Use for Downloads are valid (<http://phoenixcontact.com/download>)



Ex base terminal block for intrinsically safe signals with knife disconnection and test connections



## Key Commercial Data

Packing unit	10 pc
GTIN	 4 017918 911799
GTIN	4017918911799

## Technical data

### Dimensions

Width	12.4 mm
Height	145 mm
Depth	86.5 mm

### Ambient conditions

Ambient temperature (operation)	-20 °C ... 60 °C
Ambient temperature (storage/transport)	-40 °C ... 85 °C

### General

Nominal voltage $U_N$	250 V
Nominal current $I_N$	4 A
Housing insulation material	PBT
Flammability rating according to UL 94	V0
Color	gray
Conformance	CE-compliant
ATEX	# II (1) G [Ex ia] IIC
	# II (1) D [Ex iaD]
	# II 3 G Ex nA II T4 X

# Basic terminal block - PI-EX-TB - 2835901

## Technical data

### General

UL, USA/Canada	Class I, Div. 2, Groups A, B, C, D
----------------	------------------------------------

### Standards and Regulations

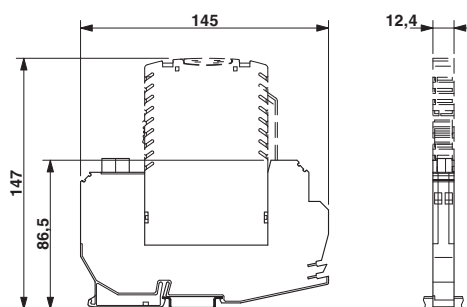
Flammability rating according to UL 94	V0
Conformance	CE-compliant
ATEX	# II (1) G [Ex ia] IIC
	# II (1) D [Ex iaD]
	# II 3 G Ex nA II T4 X
UL, USA/Canada	Class I, Div. 2, Groups A, B, C, D

### Environmental Product Compliance

China RoHS	Environmentally Friendly Use Period = 50
	For details about hazardous substances go to tab "Downloads", Category "Manufacturer's declaration"

## Drawings

Dimensional drawing



Phoenix Contact 2018 © - all rights reserved  
<http://www.phoenixcontact.com>

PHOENIX CONTACT GmbH & Co. KG  
Flachsmarktstr. 8  
32825 Blomberg  
Germany  
Tel. +49 5235 300  
Fax +49 5235 3 41200  
<http://www.phoenixcontact.com>

## X-ON Electronics

Largest Supplier of Electrical and Electronic Components

*Click to view similar products for [DIN Rail Terminal Blocks](#) category:*

*Click to view products by [Phoenix Contact](#) manufacturer:*

Other Similar products are found below :

[00110420202](#) [8WA1011-1BH23](#) [8WA1011-1EF20](#) [91.010](#) [9102100000](#) [91.040](#) [9123140000](#) [9123140001](#) [RBO 5-T-B-HEX](#) [1333564](#) [DP25-GY-ND](#) [1431306](#) [1433306](#) [90.070](#) [91.020](#) [912314](#) [260-301\\_NR](#) [2757571](#) [280-331](#) [280-560](#) [280-564](#) [281-611/281-542](#) [281-673/281-411](#) [281-994](#) [283-317](#) [283-607](#) [2909798](#) [264-724](#) [264-726](#) [280-530](#) [280-555](#) [280-619](#) [281-610](#) [281-622/281-417](#) [284-317](#) [284-601](#) [2907033](#) [3048496](#) [5542152](#) [35956](#) [USK 10](#) [102510](#) [1025100000](#) [5520682](#) [5607102](#) [EMH 25-ZE30](#) [591620-2](#) [UM 45-SEFE M.NUT BK](#) [1-591651-1](#) [8671050000](#)