

## Surge protection device - CN-LAMBDA/4-5.9-BB - 2838490

Please be informed that the data shown in this PDF Document is generated from our Online Catalog. Please find the complete data in the user's documentation. Our General Terms of Use for Downloads are valid (<http://phoenixcontact.com/download>)



Attachment plug with Lambda/4 technology as surge protection for coaxial signal interfaces. Connection: N connectors socket-socket

### Your advantages

- ✓ High HF power in the kW range
- ✓ Outdoor surge protection
- ✓ As an adapter between devices and cables
- ✓ Maintenance-free surge protection with LAMBDA/4 technology
- ✓ Low protection level

### Key Commercial Data

Packing unit	1 pc
GTIN	
GTIN	4046356285629

### Technical data

#### Dimensions

Height	38 mm
Width	26.1 mm
Depth	60 mm

#### Ambient conditions

Ambient temperature (operation)	-40 °C ... 90 °C
Degree of protection	IP68

#### General

Housing material	Brass (CuZn)
Color	nickel
Mounting type	Connection-specific intermediate plugging
Type	Attachment plug

# Surge protection device - CN-LAMBDA/4-5.9-BB - 2838490

## Technical data

### General

Number of positions	1
Direction of action	Line-Shield/Earth Ground

### Protective circuit

IEC test classification	C2
	C3
	D1
VDE requirement class	C2
	C3
	D1
Rated current	5 A (25 °C)
Nominal discharge current $I_n$ (8/20) $\mu$ s (line-earth)	50 kA
Nominal discharge current $I_n$ (8/20) $\mu$ s (line-shield)	50 kA
Pulse discharge current $I_{imp}$ (10/350) $\mu$ s (line-earth)	$\leq 20$ kA
Total discharge current $I_{total}$ (8/20) $\mu$ s	60 kA
Total discharge current $I_{total}$ (10/350) $\mu$ s	20 kA
Max. discharge current $I_{max}$ (8/20) $\mu$ s maximum (line-earth)	60 kA
Max. discharge current $I_{max}$ (8/20) $\mu$ s maximum (line-shield)	60 kA
Output voltage limitation at 1 kV/ $\mu$ s (line-earth) spike	$\leq 11$ V (6 kV / 3 kA)
Output voltage limitation at 1 kV/ $\mu$ s (line-shield) spike	$\leq 11$ V (6 kV / 3 kA)
Output voltage limitation at 1 kV/ $\mu$ s (line-earth) static	$\leq 11$ V (6 kV / 3 kA)
Output voltage limitation at 1 kV/ $\mu$ s (line-shield) static	$\leq 11$ V (6 kV / 3 kA)
Voltage protection level $U_p$ (line-earth)	$\leq 11$ V (6 kV / 3 kA)
Voltage protection level $U_p$ (line-shield)	$\leq 11$ V (6 kV / 3 kA)
Input attenuation aE, asym.	typ. 0.05 dB ( $\leq 0.15$ dB)
Frequency range	2.4 GHz ... 5.9 GHz
Standing wave ratio SWR in a 50 $\Omega$ system	typ. 1.1 ( $\leq 1.20$ (2.4 GHz...5.9 GHz))
Permissible HF power $P_{max}$ at VSWR = xx (50 ohm system)	$\leq 500$ W
	$\leq 4$ kW (peak)
Surge protection fault message	none
Impulse durability (line-earth)	C2 - 10 kV / 5 kA
	D1 - 2.5 kA
Impulse durability (line-shield)	C2 - 10 kV/5 kA
	D1 - 2.5 kA

### Connection data

Connection method	N Connector
Connection method IN	N connector, female
Connection method OUT	N connector, female

### Standards and Regulations

Standards/specifications	IEC 61643-21 2005
--------------------------	-------------------

# Surge protection device - CN-LAMBDA/4-5.9-BB - 2838490

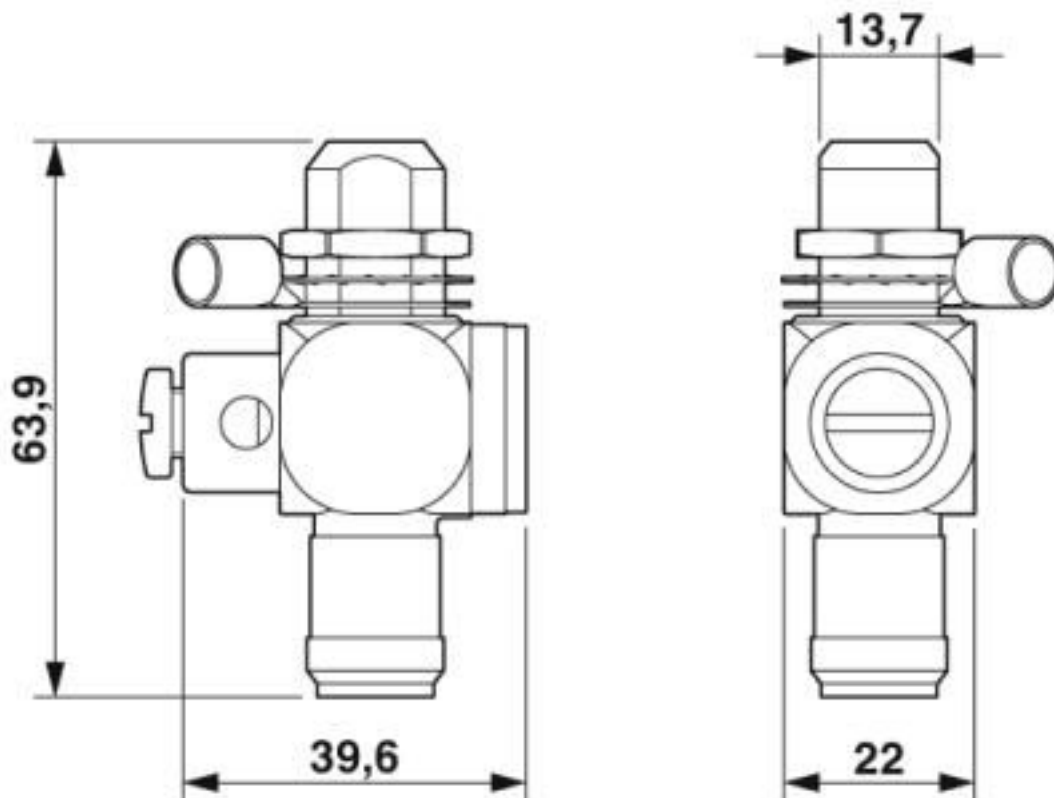
## Technical data

### Environmental Product Compliance

China RoHS	Environmentally friendly use period: unlimited = EFUP-e
	No hazardous substances above threshold values

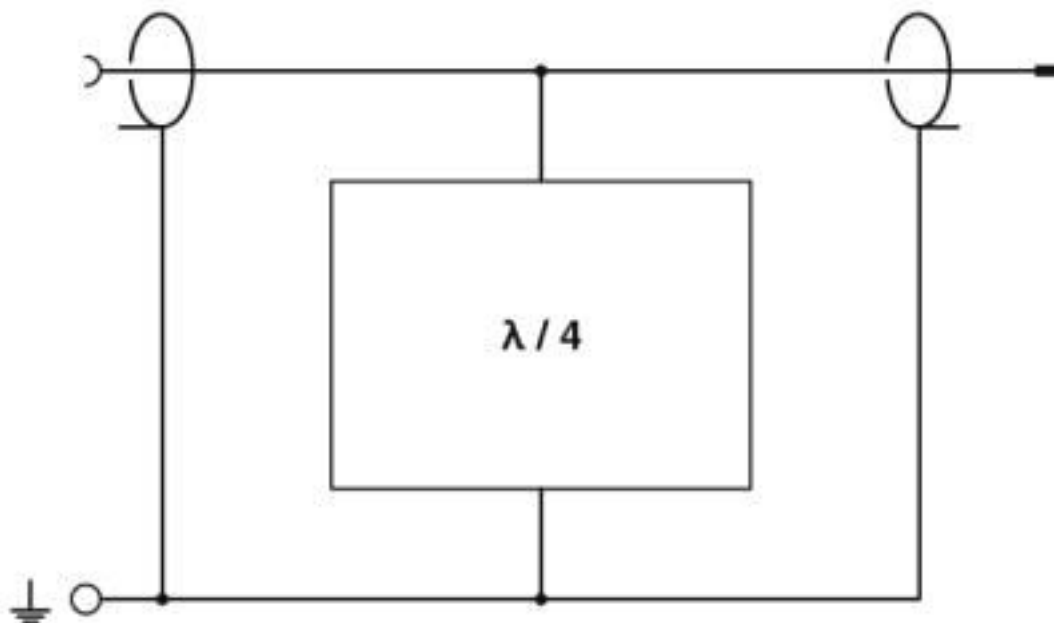
## Drawings

Dimensional drawing



# Surge protection device - CN-LAMBDA/4-5.9-BB - 2838490

Circuit diagram



## Classifications

eCl@ss

eCl@ss 10.0.1	27130807
eCl@ss 4.0	27130800
eCl@ss 4.1	27130800
eCl@ss 5.0	27130800
eCl@ss 5.1	27130800
eCl@ss 6.0	27130800
eCl@ss 7.0	27130807
eCl@ss 8.0	27130807
eCl@ss 9.0	27130807

ETIM

ETIM 2.0	EC000943
ETIM 3.0	EC000943
ETIM 4.0	EC000943
ETIM 5.0	EC000943
ETIM 6.0	EC000943
ETIM 7.0	EC000943

UNSPSC

UNSPSC 6.01	30212010
UNSPSC 7.0901	39121610
UNSPSC 11	39121610

# Surge protection device - CN-LAMBDA/4-5.9-BB - 2838490

## Classifications

### UNSPSC

UNSPSC 12.01	39121610
UNSPSC 13.2	39121620
UNSPSC 18.0	39121620
UNSPSC 19.0	39121620
UNSPSC 20.0	39121620
UNSPSC 21.0	39121620

## Approvals

### Approvals

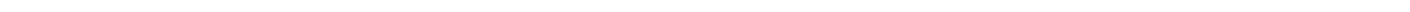


Approvals

EAC / EAC



Ex Approvals



### Approval details

EAC		EAC-Zulassung
-----	--	---------------

EAC		RU C- DE.*09.B.00169
-----	--	-------------------------

## Accessories

### Accessories

Assembly adapter

Mounting plate - CN-UB/MP - 2818135



Tongue for attaching the CN-UB..., to housing panels, for example.



## Surge protection device - CN-LAMBDA/4-5.9-BB - 2838490

### Accessories

Mounting plate - CN-UB/MP-90DEG-50 - 2803137



Angled bracket for individually fixing CN-UB... to housing panels, for example.

---

### Additional products

Mounting plate - CN-UB/MP - 2818135



Tongue for attaching the CN-UB..., to housing panels, for example.

---

Phoenix Contact 2020 © - all rights reserved  
<http://www.phoenixcontact.com>

PHOENIX CONTACT GmbH & Co. KG  
Flachsmarktstr. 8  
32825 Blomberg  
Germany  
Tel. +49 5235 300  
Fax +49 5235 3 41200  
<http://www.phoenixcontact.com>

## X-ON Electronics

Largest Supplier of Electrical and Electronic Components

*Click to view similar products for [Surge Suppressors](#) category:*

*Click to view products by [Phoenix Contact](#) manufacturer:*

Other Similar products are found below :

[GUS1](#) [GUS12](#) [BSPM1A600D600LVR](#) [2800521](#) [29-2053](#) [GUS11](#) [GUS2](#) [GUS3](#) [GUS4](#) [30460](#) [SRA64C060X](#) [PC642C015](#) [1810-15-A3](#)  
[2713175](#) [4B06B-EC1-150LF](#) [SRA6LC](#) [BPMA75D100LV](#) [CX06M](#) [CCTV1](#) [GUS13](#) [GUS14](#) [GUS5](#) [GUS6](#) [VAL-MS 320/3+0-FM](#) [VAL-US-](#)  
[120/40/1+1-FM](#) [VAL-US-120/65/1+1-FM](#) [VAL-US-480D/30/3+0-FM](#) [VAL-US-120/40/1+0-FM](#) [STCHSP121BT1RU](#) [LP-BFDN-CW](#) [LP-](#)  
[STRL-NFF](#) [LP-STRL-DFE](#) [GUS22](#) [0804111](#) [5053609](#) [5053201](#) [SPD2-150-1P0](#) [SPD2-550-1P0](#) [6720005416](#) [6720005417](#) [1-2191595-2](#)  
[STC-CAT6-P0E-I](#) [SPD2-350-1P0](#) [FLT-CP-350-ST](#) [TTC-6P-3-HF-F-M-12DC-UT-I](#) [SMTPA200](#) [2800989](#) [2906776](#) [2906810](#) [2906847](#)