

## Surge protection plug - CTM 2X1- 60DC - 2838542

Please be informed that the data shown in this PDF Document is generated from our Online Catalog. Please find the complete data in the user's documentation. Our General Terms of Use for Downloads are valid (<http://phoenixcontact.com/download>)




LSA-PLUS plug with protective circuit for 2-conductor signal circuits grounded on one side. Nominal voltage: 60 V DC

### Your advantages

- ✓ The CTM 10-MAG surge protection magazine can be freely fitted with various protective plugs
- ✓ Can be used in LSA-PLUS disconnect and control strips or CT-TERMIBLOCK
- ✓ Typical installation locations include marshalling distributors
- ✓ Space-saving LSA-PLUS connection technology
- ✓ Modular compact protection for high-density networks



### Key Commercial Data

Packing unit	10 pc
GTIN	 4 017918 819576
GTIN	4017918819576

### Technical data

#### Dimensions

Height	21 mm
Width	9.4 mm
Depth	52.4 mm

#### Ambient conditions

Ambient temperature (operation)	-25 °C ... 75 °C
Altitude	≤ 2000 m (amsl (above mean sea level))
Degree of protection	IP20

#### General

Housing material	PA 6.6
Flammability rating according to UL 94	V-0
Color	jet black RAL 9005

# Surge protection plug - CTM 2X1- 60DC - 2838542

## Technical data

### General

Overvoltage category	II
Degree of pollution	2
Mounting type	On CT-TERMIBLOCK and LSA-PLUS disconnect strip
Type	LSA-PLUS module
Direction of action	Line-Line & Line-Earth Ground
Arrester can be tested with CHECKMASTER from software version:	From SW rev. 1.10

### Protective circuit

IEC test classification	B2
	C1
	C2
	C3
	D1
Nominal voltage $U_N$	60 V DC
Maximum continuous voltage $U_C$	60 V DC
	50 V AC
Rated current	380 mA AC (25 °C)
	150 mA DC (25 °C)
Operating effective current $I_C$ at $U_C$	$\leq 70 \mu\text{A}$
Residual current $I_{PE}$	$\leq 2 \mu\text{A}$
Nominal discharge current $I_n$ (8/20) $\mu\text{s}$ (line-earth)	5 kA
Pulse discharge current $I_{imp}$ (10/350) $\mu\text{s}$ (line-earth)	1 kA
Total discharge current $I_{total}$ (8/20) $\mu\text{s}$	10 kA
Total discharge current $I_{total}$ (10/350) $\mu\text{s}$	2.5 kA
Nominal pulse current $I_{an}$ (10/1000) $\mu\text{s}$ (line-earth)	100 A
Output voltage limitation at 1 kV/ $\mu\text{s}$ (line-earth) spike	$\leq 160 \text{ V}$
Output voltage limitation at 1 kV/ $\mu\text{s}$ (line-earth) static	$\leq 160 \text{ V}$
Residual voltage at $I_n$ (line-earth)	$\leq 95 \text{ V}$
Residual voltage with $I_{an}$ (10/1000) $\mu\text{s}$ (line-earth)	$\leq 16 \text{ V}$
Voltage protection level $U_p$ (line-earth)	$\leq 240 \text{ V}$ (C2 - 10 kV / 5 kA)
	$\leq 150 \text{ V}$ (C3 - 100 A)
Voltage protection level $U_p$ static (line-earth)	$\leq 85 \text{ V}$ (C2 - 10 kV / 5 kA)
	$\leq 16 \text{ V}$ (C3 - 100 A)
Response time $t_A$ (line-earth)	$\leq 1 \text{ ns}$
Input attenuation aE, asym.	typ. 0.3 dB ( $\leq 500 \text{ kHz}$ / 100 $\Omega$ )
Cut-off frequency $f_g$ (3 dB), asym. (PE) in 100 Ohm system	typ. 2 MHz
Capacity (line-earth)	typ. 1 nF
Resistance per path	3.3 $\Omega$ 20 %
Surge protection fault message	none
Impulse durability (line-earth)	B2 - 4 kV / 100 A
	C2 - 10 kV / 5 kA

# Surge protection plug - CTM 2X1- 60DC - 2838542

## Technical data

### Protective circuit

	C3 - 100 A
	D1 - 1 kA
Alternating current carrying capacity (line-earth)	5 A - 1 s

### Connection data

Connection method	can be plugged into COMTRAB-TERMIBLOCK and LSA-PLUS disconnect and switching strips
Connection method IN	COMTRAB plug-in system
Connection method OUT	COMTRAB plug-in system
Connection technology	LSA-PLUS

### Connection, equipotential bonding

Connection method	Spring contact
-------------------	----------------

### Standards and Regulations

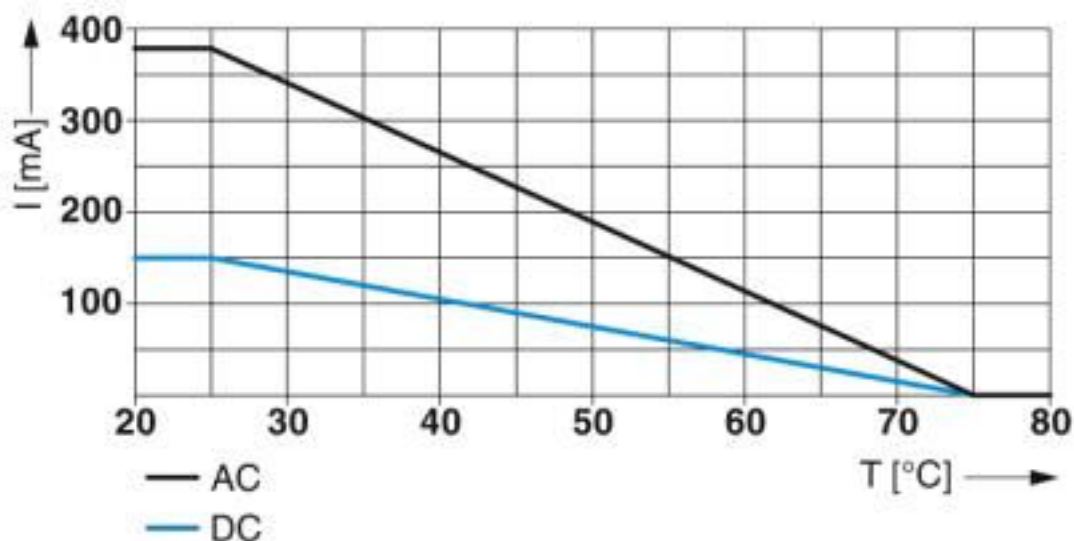
Standards/specifications	IEC 61643-21 2000 + corrigendum 2001 + A1:2008, modified + A2:2012
	EN 61643-21 2001 + A1:2009 + A2:2013

### Environmental Product Compliance

China RoHS	Environmentally friendly use period: unlimited = EFUP-e
	No hazardous substances above threshold values

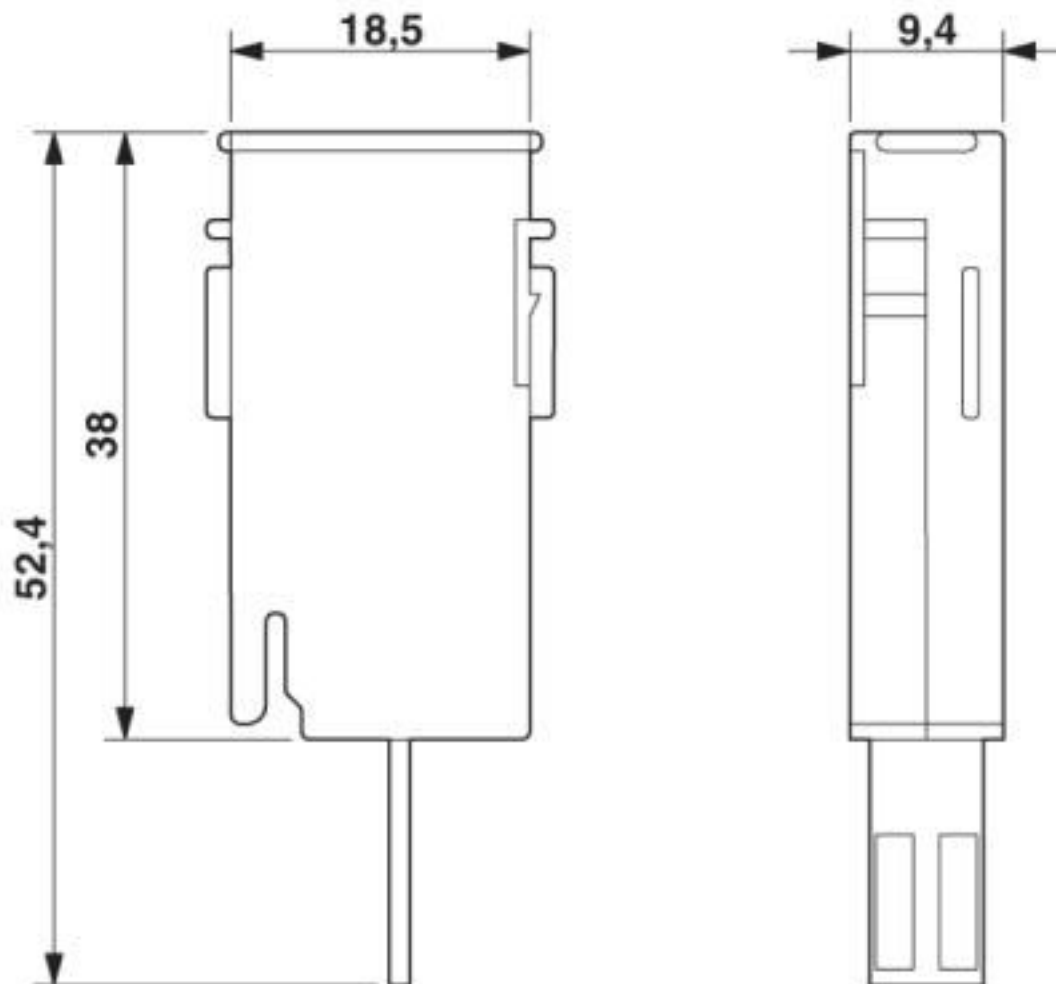
## Drawings

Diagram



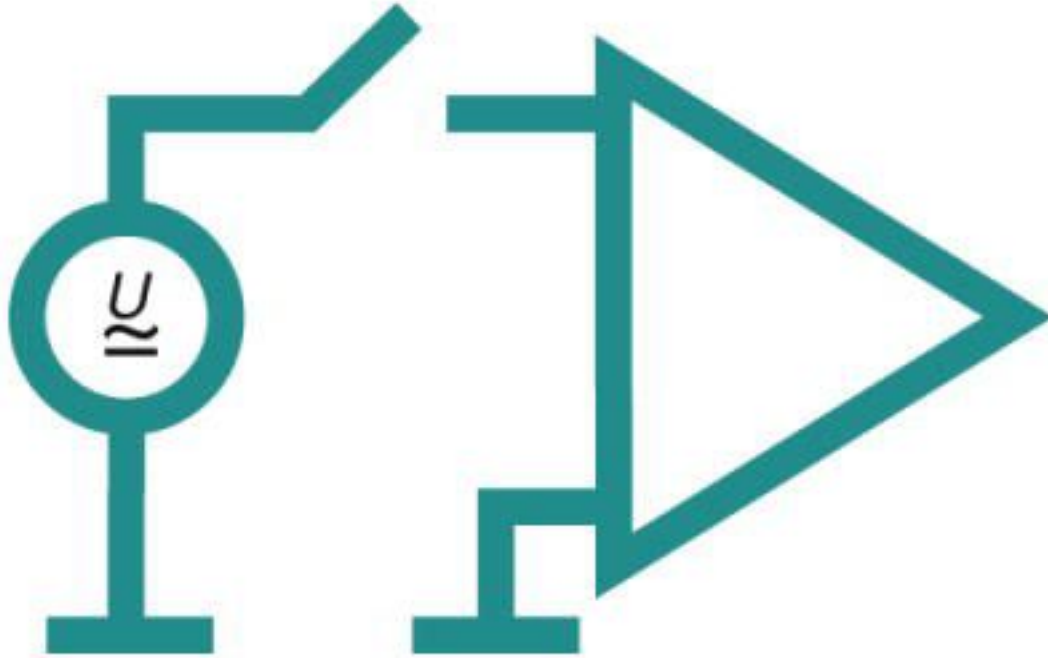
# Surge protection plug - CTM 2X1- 60DC - 2838542

Dimensional drawing

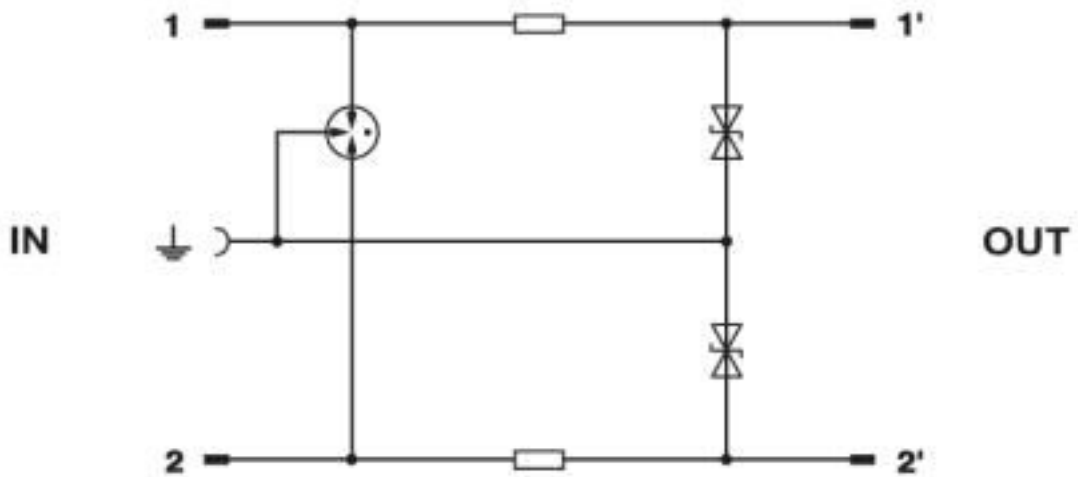


# Surge protection plug - CTM 2X1- 60DC - 2838542

Pictogram



Circuit diagram



## Classifications

eCl@ss

eCl@ss 10.0.1	27130807
eCl@ss 4.0	27130800
eCl@ss 4.1	27130800
eCl@ss 5.0	27130800
eCl@ss 5.1	27130800
eCl@ss 6.0	27130800

# Surge protection plug - CTM 2X1- 60DC - 2838542

## Classifications

### eCl@ss

eCl@ss 7.0	27130807
eCl@ss 8.0	27130807
eCl@ss 9.0	27130807

### ETIM

ETIM 2.0	EC000943
ETIM 3.0	EC000943
ETIM 4.0	EC000943
ETIM 5.0	EC000943
ETIM 6.0	EC000943
ETIM 7.0	EC000943

### UNSPSC

UNSPSC 6.01	30212010
UNSPSC 7.0901	39121610
UNSPSC 11	39121610
UNSPSC 12.01	39121610
UNSPSC 13.2	39121620
UNSPSC 18.0	39121620
UNSPSC 19.0	39121620
UNSPSC 20.0	39121620
UNSPSC 21.0	39121620

## Approvals

### Approvals

---

#### Approvals

UL Listed / EAC

---

#### Ex Approvals

---

### Approval details

UL Listed		<a href="http://database.ul.com/cgi-bin/XYV/template/LISEXT/1FRAME/index.htm">http://database.ul.com/cgi-bin/XYV/template/LISEXT/1FRAME/index.htm</a>	FILE E 138168
-----------	--	---	---------------

# Surge protection plug - CTM 2X1- 60DC - 2838542

## Approvals

EAC		RU C- DE.*09.B.00169
-----	---	-------------------------

## Accessories

### Necessary add-on products

#### Disconnect strip - CT 10-TL - 2765356



LSA-PLUS disconnect strip to hold the CTM and CT 10 protection modules. Version: 10 double conductors, dimension A: 124 mm.

#### Grounding rail - CT 1-10-ES - 2765547



Ground rail for CTM protective plug when used in combination with LSA-PLUS disconnect strip. Version: 10 double conductors

#### Screw termination block - CT-TERMIBLOCK 10 DA - 0441711



Screw termination block with disconnect contacts for accommodating protective plugs CT and CTM. Use in MCR and telecommunications systems. Design: 10 double wires

#### Magazine - CTM 10-MAG - 2838610



Magazine with a grounding rail to accommodate up to 10 LSA-PLUS protective plugs (COMTRAB CTM), to insert in CT-TERMIBLOCK or LSA-PLUS disconnect strip

## Additional products

## Surge protection plug - CTM 2X1- 60DC - 2838542

### Accessories

#### Mounting clip - CT 10-MB/ 3 - 2765372



Mounting clip, for holding 3 disconnect or ground wire strips. Version: 10 double conductors, dimensions: A 104.5 mm, B 65 mm.

---

#### Mounting clip - CT 10-MB/10 - 2765385



Mounting clip, for holding 10 disconnect or ground wire strips. Version: 10 double conductors, dimensions: A 104.5 mm, dimensions B 245.5 mm

---

#### Cable feed-through sleeve - CT-KDT - 2765518



Cable bush for assembly troughs, for protection of the lines guided through the laminated frame

---

#### Short-circuit connector - CTM EST - 2838649



LSA-PLUS grounding plug (COMTRAB CTM) to short-circuit and ground potentials in CT-TERMIBLOCK... and disconnect strip CT 10...

---

#### Shield connection - SSA 3-6 - 2839295



Shield fast connection for 3 ... 6 mm cable diameter. Potential connecting cable: 200 mm, 1 mm<sup>2</sup>, color: black



## Surge protection plug - CTM 2X1- 60DC - 2838542

### Accessories

Shield connection - SSA 5-10 - 2839512



Shield fast connection for 5 ... 10 mm cable diameter. Potential connecting cable: 200 mm, 1 mm<sup>2</sup>, color: black

---

Phoenix Contact 2020 © - all rights reserved  
<http://www.phoenixcontact.com>

PHOENIX CONTACT GmbH & Co. KG  
Flachsmarktstr. 8  
32825 Blomberg  
Germany  
Tel. +49 5235 300  
Fax +49 5235 3 41200  
<http://www.phoenixcontact.com>

## X-ON Electronics

Largest Supplier of Electrical and Electronic Components

*Click to view similar products for [Surge Suppressors](#) category:*

*Click to view products by [Phoenix Contact](#) manufacturer:*

Other Similar products are found below :

[GUS1](#) [GUS12](#) [BSPM1A600D600LVR](#) [2800521](#) [29-2053](#) [GUS11](#) [GUS2](#) [GUS3](#) [GUS4](#) [30460](#) [SRA64C060X](#) [PC642C015](#) [1810-15-A3](#)  
[2713175](#) [4B06B-EC1-150LF](#) [SRA6LC](#) [BPMA75D100LV](#) [CX06M](#) [CCTV1](#) [GUS13](#) [GUS14](#) [GUS5](#) [GUS6](#) [VAL-MS 320/3+0-FM](#) [VAL-US-](#)  
[120/40/1+1-FM](#) [VAL-US-120/65/1+1-FM](#) [VAL-US-480D/30/3+0-FM](#) [VAL-US-120/40/1+0-FM](#) [STCHSP121BT1RU](#) [LP-BFDN-CW](#) [LP-](#)  
[STRL-NFF](#) [LP-STRL-DFE](#) [GUS22](#) [0804111](#) [5053609](#) [5053201](#) [SPD2-150-1P0](#) [SPD2-550-1P0](#) [6720005416](#) [6720005417](#) [1-2191595-2](#)  
[STC-CAT6-P0E-I](#) [SPD2-350-1P0](#) [FLT-CP-350-ST](#) [TTC-6P-3-HF-F-M-12DC-UT-I](#) [SMTPA200](#) [2800989](#) [2906776](#) [2906810](#) [2906847](#)