

Type 3 surge protection plug - PT 2-PE/S-120AC-ST - 2839334

Please be informed that the data shown in this PDF Document is generated from our Online Catalog. Please find the complete data in the user's documentation. Our General Terms of Use for Downloads are valid (<http://phoenixcontact.com/download>)



Protective plug PT with surge voltage equipment protection for power supply units, visual error display. Nominal voltage: 120 V AC

The figure shows version PT 2-PE/S-230AC-ST

Your advantages

- Plugs can be checked with CHECKMASTER
- Tool-free plug replacement
- Optical signaling of disconnection via LED



Key Commercial Data

Packing unit	1 pc
Weight per Piece (excluding packing)	26.360 g
Custom tariff number	85363090
Country of origin	Germany

Technical data

Dimensions

Height	45 mm
Width	17.7 mm
Depth	52 mm
Horizontal pitch	1 Div.
Complete module height	90 mm
Complete module width	17.7 mm
Complete module depth	65.5 mm

Ambient conditions

Degree of protection	IP20
----------------------	------

Type 3 surge protection plug - PT 2-PE/S-120AC-ST - 2839334

Technical data

Ambient conditions

Ambient temperature (operation)	-40 °C ... 85 °C (non-Ex)
	-40 °C ... 80 °C (Class I Div. 2 Gr. A, B, C, D)

General

Housing material	PA 6.6
Flammability rating according to UL 94	V0
Color	black
Standards for clearances and creepage distances	DIN VDE 0110-1
	IEC 60664-1
Overvoltage category	III
Degree of pollution	2
Type	Male
Mounting type	on base element
Number of positions	2
Arrester can be tested with CHECKMASTER from software version:	From SW rev. 1.00
Direction of action	1L-N & N-PE

Protective circuit

EN type	T3
Nominal voltage U_N	120 V AC
Arrester rated voltage U_C	150 V AC
Nominal frequency f_N	50 Hz
	60 Hz
Nominal current I_N	26 A (30 °C)
Operating effective current I_C at U_C	≤ 1.1 mA
Standby power consumption P_C	≤ 200 mVA
Residual current I_{PE}	≤ 2 μ A
Nominal discharge current I_n (8/20) μ s	2.5 kA
	3 kA (in acc. with UL 1449)
Combination wave U_{OC}	6 kV
Voltage protection level U_p (L-N)	≤ 620 V
Voltage protection level U_p (L-PE)	≤ 850 V
Voltage protection level U_p (N-PE)	≤ 850 V
Residual voltage at I_n , (L-N)	≤ 620 V
Residual voltage at I_n , (L-PE)	≤ 330 V
Residual voltage at I_n , (N-PE)	≤ 330 V
Response time t_A (L-N)	≤ 25 ns
Response time t_A (L-PE)	≤ 100 ns

Type 3 surge protection plug - PT 2-PE/S-120AC-ST - 2839334

Technical data

Protective circuit

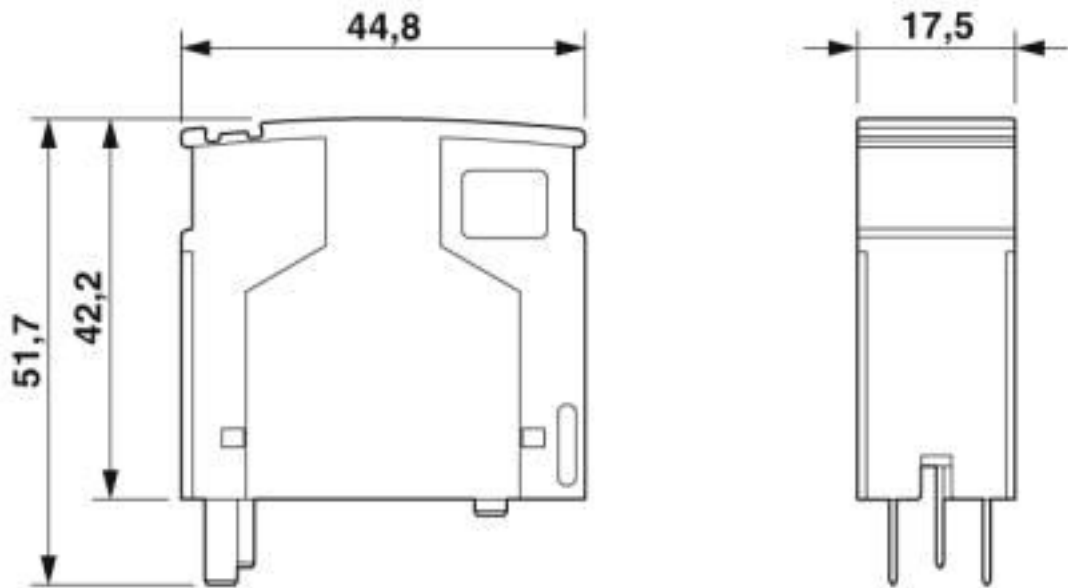
Response time t_A (N-PE)	≤ 100 ns
Max. required back-up fuse	25 A (gL)
	25 A (MCB 25 A B/C)
Short-circuit withstand capability I_P with max. backup fuse (r.m.s.)	1.5 kA
Surge protection fault message	Optical, remote indicator contact

Standards and Regulations

Standards/specifications	IEC 61643-1 2005
	EN 61643-11/A11 2007
	UL 1449 ed. 2

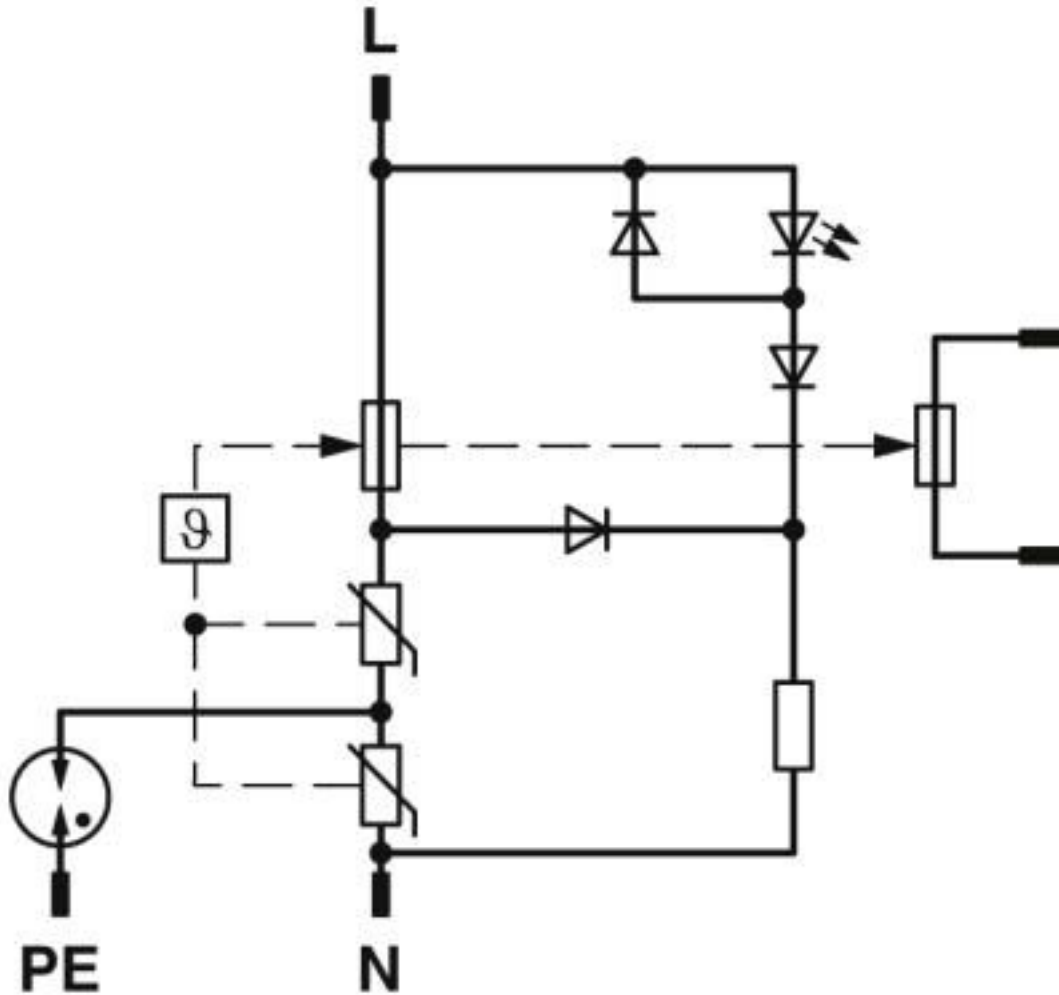
Drawings

Dimensional drawing



Type 3 surge protection plug - PT 2-PE/S-120AC-ST - 2839334

Circuit diagram



Classifications

eCl@ss

eCl@ss 4.0	27140201
eCl@ss 4.1	27130801
eCl@ss 5.0	27130801
eCl@ss 5.1	27130801
eCl@ss 6.0	27130806
eCl@ss 7.0	27130806
eCl@ss 8.0	27130806
eCl@ss 9.0	27130806

Type 3 surge protection plug - PT 2-PE/S-120AC-ST - 2839334

Classifications

ETIM

ETIM 2.0	EC000942
ETIM 3.0	EC000942
ETIM 4.0	EC000942
ETIM 5.0	EC000942

UNSPSC

UNSPSC 6.01	30212010
UNSPSC 7.0901	39121610
UNSPSC 11	39121610
UNSPSC 12.01	39121610
UNSPSC 13.2	39121620

Accessories

Accessories

Device marking

Zack marker strip - ZBN 18:UNBEDRUCKT - 2809128



Zack marker strip, Strip, white, unlabeled, can be labeled with: CMS-P1-PLOTTER, PLOTMARK, mounting type: snap into tall marker groove, for terminal block width: 18 mm, lettering field size: 18 x 5 mm, Number of individual labels: 5

Labeled terminal marker

Zack Marker strip, flat - ZBF 5,LGS:FORTL.ZAHLEN - 0808671



Zack Marker strip, flat, Strip, white, labeled, printed horizontally: consecutive numbers 1 ... 10, 11 ... 20, etc. up to 491 ... 500, mounting type: snap into flat marker groove, for terminal block width: 5 mm, lettering field size: 5.15 x 5.15 mm, Number of individual labels: 10

Zack Marker strip, flat - ZBF 5,LGS:GERADE ZAHLEN - 0810821



Zack Marker strip, flat, Strip, white, labeled, printed horizontally: consecutive numbers 2 ... 20, 22 ... 40, etc. up to 82 ... 100, mounting type: snap into flat marker groove, for terminal block width: 5 mm, lettering field size: 5.15 x 5.15 mm, Number of individual labels: 10

Type 3 surge protection plug - PT 2-PE/S-120AC-ST - 2839334

Accessories

Zack Marker strip, flat - ZBF 5,LGS:UNGERADE ZAHLEN - 0810863



Zack Marker strip, flat, Strip, white, labeled, printed horizontally: Odd numbers 1 - 19, 21 - 39, etc. up to 81 - 99, mounting type: snap into flat marker groove, for terminal block width: 5 mm, lettering field size: 5.15 x 5.15 mm, Number of individual labels: 10

Zack Marker strip, flat - ZBF 5,QR:FORTL.ZAHLEN - 0808697



Zack Marker strip, flat, Strip, white, labeled, Printed vertically: consecutive numbers 1 ... 10, 11 ... 20, etc. up to 91 ... 100, mounting type: snap into flat marker groove, for terminal block width: 5 mm, lettering field size: 5.15 x 5.15 mm, Number of individual labels: 10

Marker pen

Marker pen - X-PEN 0,35 - 0811228



Marker pen without ink cartridge, for manual labeling of markers, labeling extremely wipe-proof, line thickness 0.35 mm

Terminal marking

Zack Marker strip, flat - ZBF 5:UNBEDRUCKT - 0808642



Zack Marker strip, flat, Strip, white, unlabeled, can be labeled with: PLOTMARK, CMS-P1-PLOTTER, mounting type: snap into flat marker groove, for terminal block width: 5 mm, lettering field size: 5.1 x 5.2 mm, Number of individual labels: 10

Type 3 surge protection plug - PT 2-PE/S-120AC-ST - 2839334

Accessories

Zack Marker strip, flat - ZBF 5/WH-100:UNBEDRUCKT - 0808668



Zack Marker strip, flat, Strip, white, unlabeled, can be labeled with: CMS-P1-PLOTTER, PLOTMARK, mounting type: snap into flat marker groove, for terminal block width: 5 mm, lettering field size: 5.15 x 5.15 mm, Number of individual labels: 10

Necessary add-on products

Type 3 surge protection base element - PT-BE/FM - 2839282



Base element for protective plug PT, for mounting on NS 35/7.5 and NS 35/15, housing width: 17.5 mm

X-ON Electronics

Largest Supplier of Electrical and Electronic Components

Click to view similar products for [Surge Suppressors](#) category:

Click to view products by [Phoenix Contact](#) manufacturer:

Other Similar products are found below :

[1109673](#) [GUS1](#) [GUS12](#) [2800521](#) [FAS120AC](#) [2801234](#) [2801236](#) [2801551](#) [GT-SMD181240012-TR](#) [GUS11](#) [GUS2](#) [GUS3](#) [GUS4](#) [IE103](#)
[SRA64C060X](#) [PC642C015](#) [1810-15-A3](#) [GT-SMD181215012-TR](#) [4B06B-EC1-150LF](#) [MAX14588ETE+T](#) [SRA6LC](#) [SP6-230-BFM](#) [DSL04-](#)
[022SC6](#) [DSL04-018SC6](#) [DSL04-024SC6](#) [DSL04-008SC6](#) [DSL04-010SC6](#) [DSL04-016SC6](#) [DSL04-020SC6](#) [DSL04-012SC6](#)
[BPMA75D100LV](#) [DSL04-005SC6](#) [CX06M](#) [CCTV1](#) [2910349](#) [2910386](#) [2910385](#) [LT4356MPMS-3](#) [GUS13](#) [GUS14](#) [GUS5](#) [GUS6](#) [2713162](#)
[5053331](#) [VAL-SEC-T2-1S-350-FM](#) [2910346](#) [2910351](#) [2910375](#) [2910378](#) [2910383](#)