

## Surge protection base element - PT PE/S+1X2-BE - 2856265

Please be informed that the data shown in this PDF Document is generated from our Online Catalog. Please find the complete data in the user's documentation. Our General Terms of Use for Downloads are valid (<http://phoenixcontact.com/download>)




Base element for protective plug PT with surge voltage device protection for the power supply unit and one 2-wire floating signal circuit, mounting on NS 35/7.5 and NS 35/15, housing width: 17.5 mm

### Your advantages

- ✔ Plugs can be checked with CHECKMASTER
- ✔ Maximum ease of maintenance thanks to the two-piece design
- ✔ Base element remains an integral part of the installation
- ✔ Consistent plug-in signal circuit protection
- ✔ Impedance-neutral disconnection of plug for test and maintenance purposes

### Key Commercial Data

|              |   |
|--------------|---|
| Packing unit | 10 pc   |
| GTIN         | <br>4 017918 819675 |
| GTIN         | 4017918819675   |

### Technical data

#### Dimensions

|                        |         |
|------------------------|---------|
| Height                 | 90 mm   |
| Width                  | 17.7 mm |
| Depth                  | 52 mm   |
| Horizontal pitch       | 1 Div.  |
| Complete module height | 90 mm   |
| Complete module width  | 17.7 mm |
| Complete module depth  | 65.5 mm |

#### Ambient conditions

|                                 |                  |
|---------------------------------|------------------|
| Ambient temperature (operation) | -40 °C ... 85 °C |
|---------------------------------|------------------|

#### General

|  |     |
|--|-----|
| Flammability rating according to UL 94 | V-0 |
|--|-----|

# Surge protection base element - PT PE/S+1X2-BE - 2856265

## Technical data

### General

|                     |   |
|---------------------|---|
| Color               | black                                   |
| Mounting type       | DIN rail: 35 mm                         |
| Type                | DIN rail module, two-section, divisible |
| Number of positions | 2                                       |

### Protective circuit, power supply

|                                |      |
|--------------------------------|------|
| Surge protection fault message | none |
|--------------------------------|------|

### Connection (protective circuit, power supply)

|                       |                       |
|-----------------------|-----------------------|
| Connection method     | Screw connection      |
| Connection method IN  | Screw terminal blocks |
| Connection method OUT | Screw terminal blocks |
| Screw thread          | M3                    |
| Stripping length      | 8 mm                  |

### Protective circuit, information technology

|                                |      |
|--------------------------------|------|
| Surge protection fault message | none |
|--------------------------------|------|

### Power supply, general

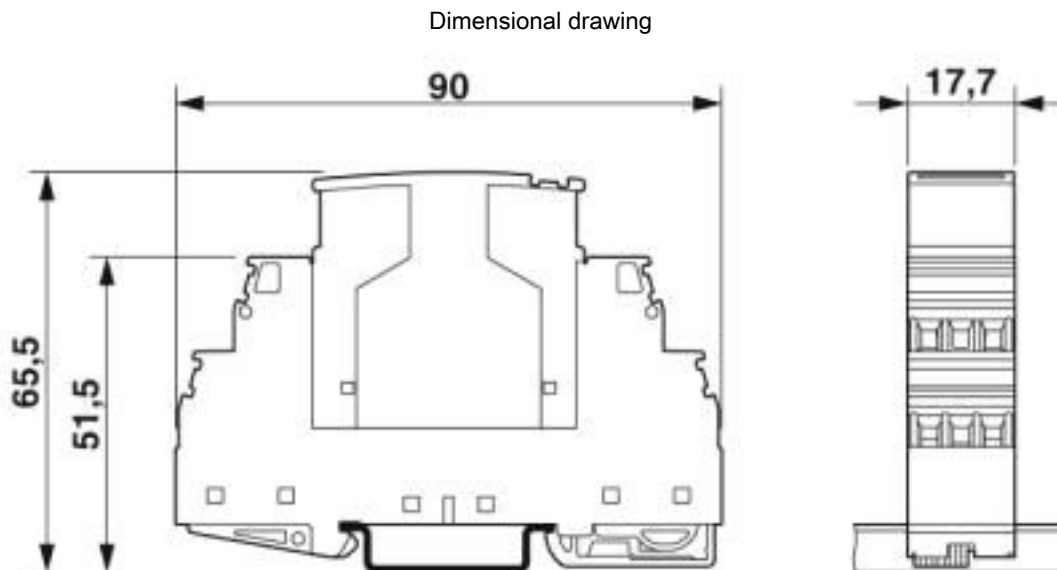
|                       |                       |
|-----------------------|-----------------------|
| Connection method     | Screw connection      |
| Connection method IN  | Screw terminal blocks |
| Connection method OUT | Screw terminal blocks |
| Screw thread          | M3                    |
| Stripping length      | 8 mm                  |

### Environmental Product Compliance

|            |   |
|------------|---|
| China RoHS | Environmentally Friendly Use Period = 50 years  |
|            | For details about hazardous substances go to tab "Downloads", Category "Manufacturer's declaration" |

## Drawings

## Surge protection base element - PT PE/S+1X2-BE - 2856265



The figure shows the complete module consisting of a base element and connector

### Classifications

#### eCl@ss

|               |          |
|---------------|----------|
| eCl@ss 10.0.1 | 27130803 |
| eCl@ss 4.0    | 27130800 |
| eCl@ss 4.1    | 27130800 |
| eCl@ss 5.0    | 27130800 |
| eCl@ss 5.1    | 27130800 |
| eCl@ss 6.0    | 27130800 |
| eCl@ss 7.0    | 27130803 |
| eCl@ss 8.0    | 27130803 |
| eCl@ss 9.0    | 27130803 |

#### ETIM

|          |          |
|----------|----------|
| ETIM 2.0 | EC000472 |
| ETIM 3.0 | EC000472 |
| ETIM 4.0 | EC000472 |
| ETIM 5.0 | EC000472 |
| ETIM 6.0 | EC000472 |
| ETIM 7.0 | EC000472 |

#### UNSPSC

|               |          |
|---------------|----------|
| UNSPSC 6.01   | 30212010 |
| UNSPSC 7.0901 | 39121610 |
| UNSPSC 11     | 39121610 |
| UNSPSC 12.01  | 39121610 |

# Surge protection base element - PT PE/S+1X2-BE - 2856265

## Classifications

### UNSPSC

|             |          |
|-------------|----------|
| UNSPSC 13.2 | 39121620 |
| UNSPSC 18.0 | 39121620 |
| UNSPSC 19.0 | 39121620 |
| UNSPSC 20.0 | 39121620 |
| UNSPSC 21.0 | 39121620 |

## Approvals

### Approvals

Approvals

EAC / EAC

Ex Approvals

### Approval details

|     |  |               |
|-----|--|---------------|
| EAC |  | EAC-Zulassung |
|-----|--|---------------|

|     |  |                         |
|-----|--|-------------------------|
| EAC |  | RU C-<br>DE.*09.B.00169 |
|-----|--|-------------------------|

## Accessories

### Accessories

#### Labeled terminal marker

Zack marker strip - ZB 5,LGS:FORTL.ZAHLEN - 1050017



Zack marker strip, Strip, white, labeled, printed horizontally: consecutive numbers 1 ... 10, 11 ... 20, etc. up to 491 ... 500, mounting type: snap into tall marker groove, for terminal block width: 5.2 mm, lettering field size: 5.15 x 10.5 mm, Number of individual labels: 10

## Surge protection base element - PT PE/S+1X2-BE - 2856265

### Accessories

Zack marker strip - ZB 5,LGS:L1-N,PE - 1050415



Zack marker strip, Strip, white, labeled, horizontal: L1, L2, L3, N, PE, L1, L2, L3, N, PE, mounting type: snap into tall marker groove, for terminal block width: 5.2 mm, lettering field size: 5.15 x 10.5 mm, Number of individual labels: 10

---

### Marker pen

Marker pen - X-PEN 0,35 - 0811228



Marker pen without ink cartridge, for manual labeling of markers, labeling extremely wipe-proof, line thickness 0.35 mm

Marker pen - B-STIFT - 1051993



Marker pen, for manual labeling of unprinted Zack strips, smear-proof and waterproof, line thickness 0.5 mm

---

### Terminal marking

Zack marker strip - ZB 5 :UNBEDRUCKT - 1050004



Zack marker strip, Strip, white, unlabeled, can be labeled with: PLOTMARK, CMS-P1-PLOTTER, mounting type: snap into tall marker groove, for terminal block width: 5.2 mm, lettering field size: 5.1 x 10.5 mm, Number of individual labels: 10

Zack marker strip - ZB 5,8:UNBEDRUCKT - 2715209



Zack marker strip, Strip, white, unlabeled, can be labeled with: PLOTMARK, CMS-P1-PLOTTER, mounting type: snap into tall marker groove, for terminal block width: 5.8 mm, lettering field size: 5.75 x 10.5 mm, Number of individual labels: 10

## Surge protection base element - PT PE/S+1X2-BE - 2856265

### Accessories

Zack Marker strip, flat - ZBF 5:UNBEDRUCKT - 0808642



Zack Marker strip, flat, Strip, white, unlabeled, can be labeled with: PLOTMARK, CMS-P1-PLOTTER, mounting type: snap into flat marker groove, for terminal block width: 5 mm, lettering field size: 5.1 x 5.2 mm, Number of individual labels: 10

---

Phoenix Contact 2020 © - all rights reserved  
<http://www.phoenixcontact.com>

PHOENIX CONTACT GmbH & Co. KG  
Flachsmarktstr. 8  
32825 Blomberg  
Germany  
Tel. +49 5235 300  
Fax +49 5235 3 41200  
<http://www.phoenixcontact.com>

## X-ON Electronics

Largest Supplier of Electrical and Electronic Components

*Click to view similar products for [Surge Suppressors](#) category:*

*Click to view products by [Phoenix Contact](#) manufacturer:*

Other Similar products are found below :

[GUS1](#) [GUS12](#) [BSPM1A600D600LVR](#) [2800521](#) [29-2053](#) [GUS11](#) [GUS2](#) [GUS3](#) [GUS4](#) [30460](#) [SRA64C060X](#) [PC642C015](#) [1810-15-A3](#)  
[2713175](#) [4B06B-EC1-150LF](#) [SRA6LC](#) [BPMA75D100LV](#) [CX06M](#) [CCTV1](#) [GUS13](#) [GUS14](#) [GUS5](#) [GUS6](#) [VAL-MS 320/3+0-FM](#) [VAL-US-](#)  
[120/40/1+1-FM](#) [VAL-US-120/65/1+1-FM](#) [VAL-US-480D/30/3+0-FM](#) [VAL-US-120/40/1+0-FM](#) [STCHSP121BT1RU](#) [LP-BFDN-CW](#) [LP-](#)  
[STRL-NFF](#) [LP-STRL-DFE](#) [GUS22](#) [0804111](#) [5053609](#) [5053201](#) [SPD2-150-1P0](#) [SPD2-550-1P0](#) [6720005416](#) [6720005417](#) [1-2191595-2](#)  
[STC-CAT6-P0E-I](#) [SPD2-350-1P0](#) [FLT-CP-350-ST](#) [TTC-6P-3-HF-F-M-12DC-UT-I](#) [SMTPA200](#) [2800989](#) [2906776](#) [2906810](#) [2906847](#)