

Surge protection device - D-LAN-CAT.5E - 2858991


Please be informed that the data shown in this PDF Document is generated from our Online Catalog. Please find the complete data in the user's documentation. Our General Terms of Use for Downloads are valid (<http://phoenixcontact.com/download>)



Fine surge protection in accordance with Class D (CAT.5e), for token ring and Ethernet. RJ45 attachment plug with separate grounding cable, incl. RJ45 cable



Key Commercial Data

Packing unit	1 pc
GTIN	 4 017918 920463
GTIN	4017918920463

Technical data

Dimensions

Height	94 mm
Width	25.4 mm
Depth	25.4 mm

Ambient conditions

Ambient temperature (operation)	-40 °C ... 80 °C
Degree of protection	IP20

General

Housing material	Aluminum, anodized
Color	black
Standards for clearances and creepage distances	DIN VDE 0110-1
	IEC 60664-1
Overvoltage category	II
Degree of pollution	2
Mounting type	Connection-specific intermediate plugging
Type	Attachment plug
Direction of action	Line-Line & Line-Shield & Shield-Earth Ground

Surge protection device - D-LAN-CAT.5E - 2858991

Technical data

Protective circuit

IEC test classification	C1
	C2
	C3
	B2
	B3
VDE requirement class	C1
	C2
	C3
	B2
	B3
Maximum continuous voltage U_c	± 7 V DC
Rated current	1.5 A (25 °C)
Operating effective current I_c at U_c	≤ 100 μ A
Residual current I_{PE}	≤ 100 μ A
Nominal discharge current I_n (8/20) μ s (line-line)	350 A
Nominal discharge current I_n (8/20) μ s (line-earth)	2.5 kA
Max. discharge current I_{max} (8/20) μ s maximum (line-earth)	2.5 kA (in total)
Nominal pulse current I_{an} (10/700) μ s (line-line)	160 A
Nominal pulse current I_{an} (10/700) μ s (line-earth)	160 A
Output voltage limitation at 1 kV/ μ s (line-line) spike	≤ 22 V
Output voltage limitation at 1 kV/ μ s (line-earth) spike	≤ 80 V (equipotential bonding lead: 1 m)
Output voltage limitation at 1 kV/ μ s (shield-earth) spike	≤ 700 V (equipotential bonding lead: 1 m)
Residual voltage at I_n (line-line)	≤ 45 V
Residual voltage at I_n (line-earth)	≤ 45 V
Residual voltage at I_n (shield-earth)	≤ 700 V
Voltage protection level U_p (line-line)	≤ 50 V (C1 - 500 V / 250 A)
	≤ 20 V (B3 - 2 kV / 25 A)
Voltage protection level U_p (line-earth)	≤ 65 V (C1, 500 V/250 A - PA-Ltg: 1 m)
	≤ 25 V (B3 - 2 kV / 25 A - PA-Ltg: 1 m)
	≤ 60 V (C3, 7 kV/90 A - PA-Ltg: 1 m)
Voltage protection level U_p (shield-earth)	≤ 850 V (C2 - 4 kV/2 kA - PA-Ltg: 1 m)
Response time t_A (line-line)	≤ 500 ns
Response time t_A (line-earth)	≤ 100 ns
Input attenuation aE, sym.	1 dB (up to 100 MHz, 100 Ω system)
Near-end crosstalk attenuation	36 dB (pair 3-6 against pair 4-5 in 100 Ω system / 100 MHz)
	40 dB (all other pair combinations in 100 Ω system/100 MHz)
Cut-off frequency f_g (3 dB), sym. in 100 Ohm system	≤ 100 MHz
Capacity (line-line)	20 pF (typical)
Capacity (line-earth)	1 pF (typical)
Surge protection fault message	none

Surge protection device - D-LAN-CAT.5E - 2858991

Technical data

Protective circuit

Impulse durability (line-line)	B2 - 4 kV / 100 A
	B3 - 2 kV / 25 A
	C1 - 500 V / 250 A
Impulse durability (line-earth)	B2 - 4 kV / 100 A
	C1 - 500 V / 250 A
	C2 - 4 kV / 2 kA
	B3 - 2 kV / 25 A

Connection data

Connection method	RJ45
Connection method IN	RJ45 socket
Connection method OUT	RJ45 socket
Connection technology	Network interfaces (e.g. Ethernet, Token Ring and CDDI/FDDI)

Connection, equipotential bonding

Connection method	Cable connection
-------------------	------------------

Standards and Regulations

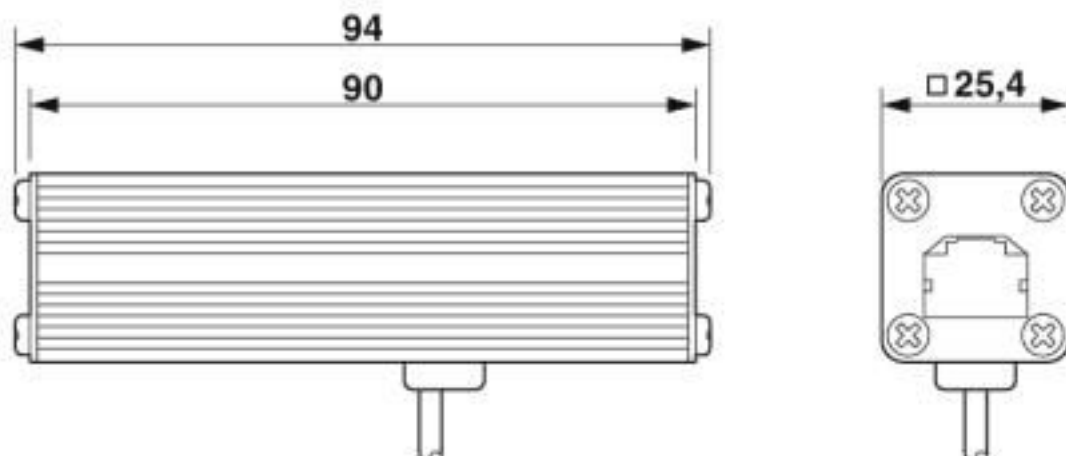
Standards/regulations	IEC 61643-21
	E VDE 0845-3-1
	DIN EN 50173-1

Environmental Product Compliance

REACH SVHC	Lead 7439-92-1
China RoHS	Environmentally friendly use period: unlimited = EFUP-e
	No hazardous substances above threshold values

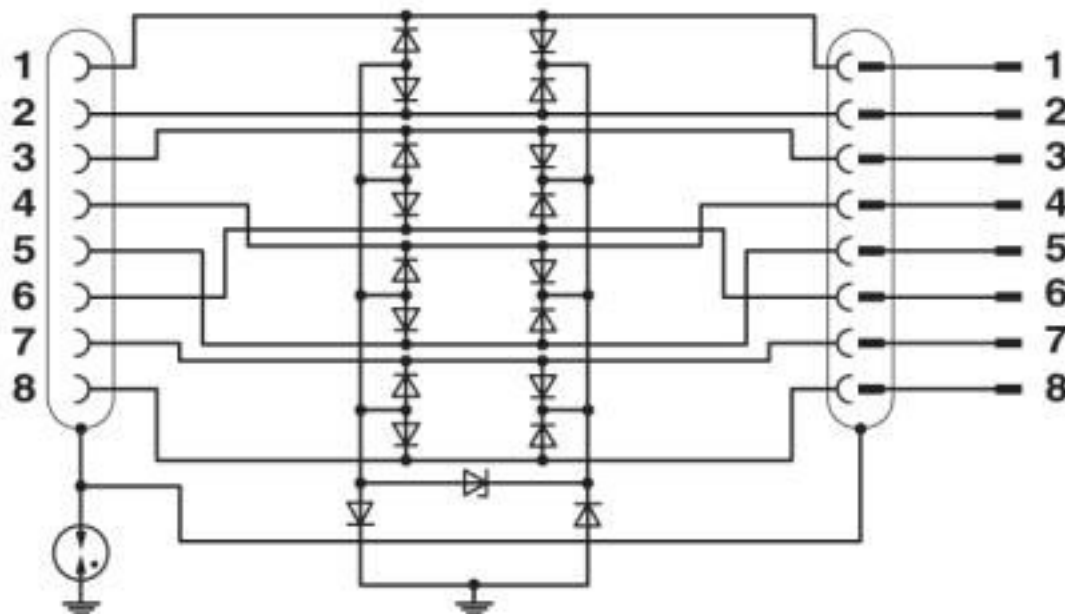
Drawings

Dimensional drawing



Surge protection device - D-LAN-CAT.5E - 2858991

Circuit diagram



Classifications

eCl@ss

eCl@ss 10.0.1	27130807
eCl@ss 4.0	27130800
eCl@ss 4.1	27130800
eCl@ss 5.0	27130800
eCl@ss 5.1	27130800
eCl@ss 6.0	27130800
eCl@ss 7.0	27130807
eCl@ss 8.0	27130807
eCl@ss 9.0	27130807

ETIM

ETIM 2.0	EC000943
ETIM 3.0	EC000943
ETIM 4.0	EC000943
ETIM 5.0	EC000943
ETIM 6.0	EC000943
ETIM 7.0	EC000943

UNSPSC

UNSPSC 6.01	30212010
UNSPSC 7.0901	39121610
UNSPSC 11	39121610

Surge protection device - D-LAN-CAT.5E - 2858991

Classifications

UNSPSC

UNSPSC 12.01	39121610
UNSPSC 13.2	39121620
UNSPSC 18.0	39121620
UNSPSC 19.0	39121620
UNSPSC 20.0	39121620
UNSPSC 21.0	39121620

Approvals

Approvals

Approvals

UL Listed / EAC / EAC

Ex Approvals

Approval details

UL Listed		http://database.ul.com/cgi-bin/XYV/template/LISEXT/1FRAME/index.htm	FILE E 138168
-----------	--	---	---------------

EAC		EAC-Zulassung
-----	--	---------------

EAC		RU C- DE.*09.B.00169
-----	--	-------------------------

Accessories

Additional products

Patch cable - FL CAT6 PATCH 0,5 - 2891288



Patch cable, CAT6, pre-assembled, 0.5 m

Surge protection device - D-LAN-CAT.5E - 2858991

Accessories

Patch cable - FL CAT6 PATCH 1,5 - 2891482



Patch cable, CAT6, pre-assembled, 1.5 m

Phoenix Contact 2020 © - all rights reserved
<http://www.phoenixcontact.com>

PHOENIX CONTACT GmbH & Co. KG
Flachsmarktstr. 8
32825 Blomberg
Germany
Tel. +49 5235 300
Fax +49 5235 3 41200
<http://www.phoenixcontact.com>

X-ON Electronics

Largest Supplier of Electrical and Electronic Components

Click to view similar products for [Surge Suppressors](#) category:

Click to view products by [Phoenix Contact](#) manufacturer:

Other Similar products are found below :

[GUS1](#) [GUS12](#) [BSPM1A600D600LVR](#) [2800521](#) [29-2053](#) [GUS11](#) [GUS2](#) [GUS3](#) [GUS4](#) [30460](#) [SRA64C060X](#) [PC642C015](#) [1810-15-A3](#)
[2713175](#) [4B06B-EC1-150LF](#) [SRA6LC](#) [BPMA75D100LV](#) [CX06M](#) [CCTV1](#) [GUS13](#) [GUS14](#) [GUS5](#) [GUS6](#) [VAL-MS 320/3+0-FM](#) [VAL-US-](#)
[120/40/1+1-FM](#) [VAL-US-120/65/1+1-FM](#) [VAL-US-480D/30/3+0-FM](#) [VAL-US-120/40/1+0-FM](#) [STCHSP121BT1RU](#) [LP-BFDN-CW](#) [LP-](#)
[STRL-NFF](#) [LP-STRL-DFE](#) [GUS22](#) [0804111](#) [5053609](#) [5053201](#) [SPD2-150-1P0](#) [SPD2-550-1P0](#) [6720005416](#) [6720005417](#) [1-2191595-2](#)
[STC-CAT6-P0E-I](#) [SPD2-350-1P0](#) [FLT-CP-350-ST](#) [TTC-6P-3-HF-F-M-12DC-UT-I](#) [SMTPA200](#) [2800989](#) [2906776](#) [2906810](#) [2906847](#)