

## Inline terminal - IB IL 24 DO 16-PAC/SN - 2862961

Please be informed that the data shown in this PDF Document is generated from our Online Catalog. Please find the complete data in the user's documentation. Our General Terms of Use for Downloads are valid (<http://phoenixcontact.com/download>)



Inline, Digital output terminal, Digital outputs: 16, 24 V DC, 500 mA, connection method: 3-wire, transmission speed in the local bus: 500 kbps, degree of protection: IP20, including Inline connectors and marking fields, connectors numbered individually

The figure shows the article IB IL 24 DO 16-PAC

### Product Description

The terminal is designed for use within an Inline station. It is used to output digital signals.

### Your advantages

- 16 digital outputs
- Connection of actuators in 2 and 3-wire technology
- Nominal current per output: 500 mA
- Total current of the terminal: 8 A
- Short-circuit-proof and overload-protected outputs



### Key Commercial Data

|              |               |
|--------------|---------------|
| Packing unit | 1 pc          |
| GTIN         |               |
| GTIN         | 4017918904975 |

### Technical data

#### Note

|                         |   |
|-------------------------|---|
| Utilization restriction | EMC: class A product, see manufacturer's declaration in the download area |
|-------------------------|---|

#### Dimensions

|                    |                    |
|--------------------|--------------------|
| Width              | 48.8 mm            |
| Height             | 140.5 mm           |
| Depth              | 71.5 mm            |
| Note on dimensions | Housing dimensions |

# Inline terminal - IB IL 24 DO 16-PAC/SN - 2862961

## Technical data

### Ambient conditions

|  |   |
|--|---|
| Ambient temperature (operation)          | -25 °C ... 55 °C                                  |
| Ambient temperature (storage/transport)  | -25 °C ... 85 °C                                  |
| Permissible humidity (operation)         | 10 % ... 95 % (non-condensing)                    |
| Permissible humidity (storage/transport) | 10 % ... 95 % (non-condensing)                    |
| Air pressure (operation)                 | 70 kPa ... 106 kPa (up to 3000 m above sea level) |
| Air pressure (storage/transport)         | 70 kPa ... 106 kPa (up to 3000 m above sea level) |
| Degree of protection                     | IP20  |

### General

|                               |  |
|-------------------------------|--|
| Mounting type                 | DIN rail   |
| Color                         | green  |
| Net weight                    | 130 g  |
| Note on weight specifications | with connectors  |
| Operating mode                | Process data mode with one word  |
| Diagnostics messages          | Short-circuit or overload of the digital outputs Error message in the diagnostic code (bus) and display (2 Hz) via the LED (D) on the module |

### Interfaces

|                    |                    |
|--------------------|--------------------|
| Designation        | Inline local bus   |
| No. of channels    | 2                  |
| Connection method  | Inline data jumper |
| Transmission speed | 500 kbps           |

### Inline potentials

|                      |  |
|----------------------|--|
| Designation          | Communications power ( $U_L$ )                                     |
| Supply voltage       | 7.5 V DC (via voltage jumper)                                      |
| Current consumption  | max. 90 mA   |
| Power consumption    | max. 0.675 W   |
| Designation          | Segment circuit supply ( $U_S$ )                                   |
| Supply voltage       | 24 V DC (via voltage jumper)                                       |
| Supply voltage range | 19.2 V DC ... 30 V DC (including all tolerances, including ripple) |
| Current consumption  | max. 8 A   |

### Digital outputs

|                        |   |
|------------------------|---|
| Output name            | Digital outputs   |
| Connection method      | Spring-cage connection  |
| Connection technology  | 3-wire  |
| Number of outputs      | 16  |
| Protective circuit     | Overload protection, short-circuit protection of outputs Zener diode in output chip |
| Output voltage         | 24 V DC ( $U_S - 1$ V)  |
| Maximum inrush current | max. 1.5 A (at nominal lamp load for 20 ms)   |
| Nominal output voltage | 24 V DC   |

## Inline terminal - IB IL 24 DO 16-PAC/SN - 2862961

### Technical data

#### Digital outputs

|  |                         |
|--|-------------------------|
| Maximum output current per channel         | 500 mA                  |
| Maximum output current per module          | 8 A                     |
| Nominal load, inductive                    | 12 W (1.2 H, 48 Ω)      |
| Nominal load, lamp                         | 12 W                    |
| Nominal load, ohmic                        | 12 VA (48 Ω)            |
| Output voltage when switched off           | max. 2 V                |
| Output current when switched off           | max. 300 µA             |
| Behavior with overload                     | Auto restart            |
| Behavior with inductive overload           | Output can be destroyed |
| Reverse voltage resistance to short pulses | Reverse voltage proof   |

#### Electrical isolation

|              |   |
|--------------|---|
| Test section | 7.5 V supply (bus logics)/24 V supply (I/O) 500 V AC 50 Hz 1 min. |
|              | 24 V supply (I/O)/functional ground 500 V AC 50 Hz 1 min.         |
|              | 7.5 V supply (bus logic)/functional ground 500 V AC 50 Hz 1 min.  |

#### Standards and Regulations

|                                  |                                       |
|----------------------------------|---------------------------------------|
| Connection in acc. with standard | CUL                                   |
| Protection class                 | III (IEC 61140, EN 61140, VDE 0140-1) |

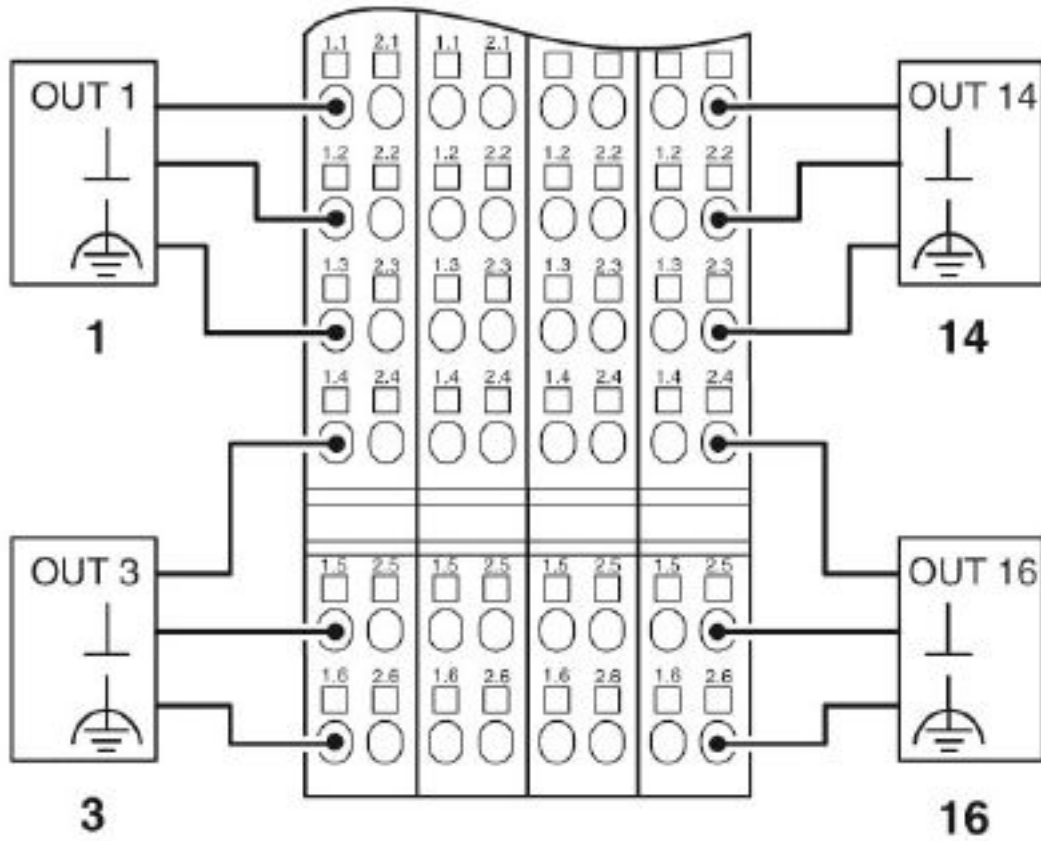
#### Environmental Product Compliance

|            |   |
|------------|---|
| REACH SVHC | Lead 7439-92-1  |
| China RoHS | Environmentally Friendly Use Period = 50 years  |
|            | For details about hazardous substances go to tab "Downloads", Category "Manufacturer's declaration" |

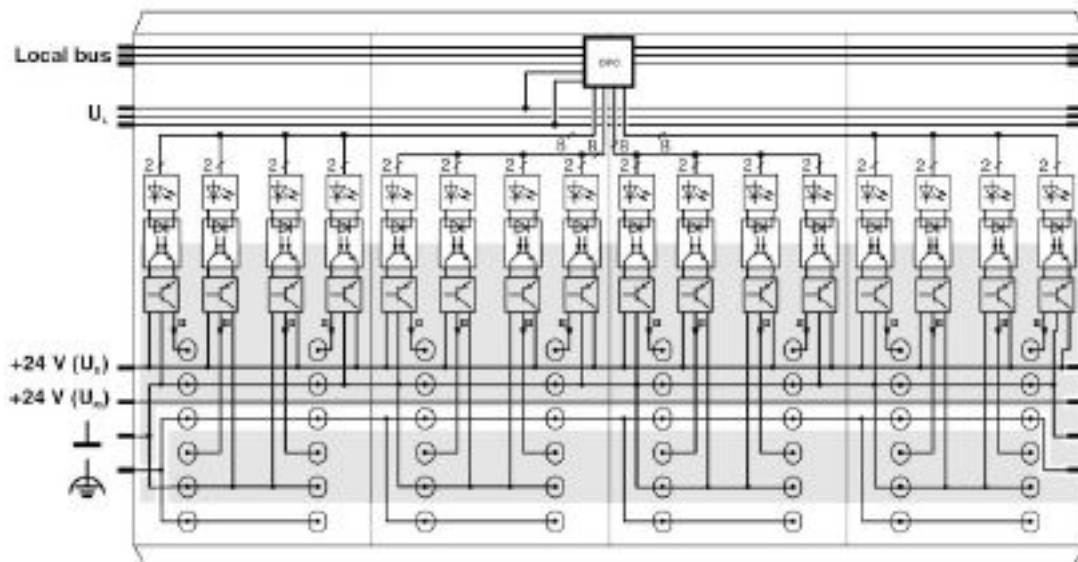
### Drawings

# Inline terminal - IB IL 24 DO 16-PAC/SN - 2862961

Connection diagram

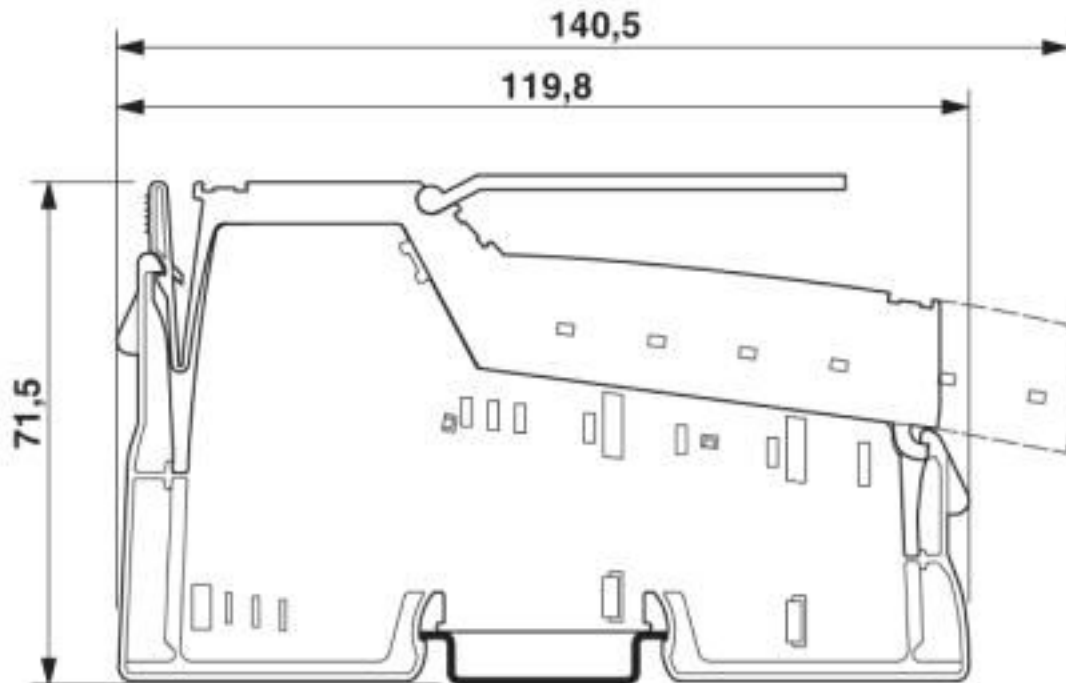


Block diagram



# Inline terminal - IB IL 24 DO 16-PAC/SN - 2862961

Dimensional drawing



## Classifications

### eCl@ss

|               |          |
|---------------|----------|
| eCl@ss 10.0.1 | 27242604 |
| eCl@ss 4.0    | 27250300 |
| eCl@ss 4.1    | 27250300 |
| eCl@ss 5.0    | 27250300 |
| eCl@ss 5.1    | 27242600 |
| eCl@ss 6.0    | 27242600 |
| eCl@ss 7.0    | 27242604 |
| eCl@ss 8.0    | 27242604 |
| eCl@ss 9.0    | 27242604 |

### ETIM

|          |          |
|----------|----------|
| ETIM 2.0 | EC001430 |
| ETIM 3.0 | EC001599 |
| ETIM 4.0 | EC001599 |
| ETIM 5.0 | EC001599 |
| ETIM 6.0 | EC001599 |
| ETIM 7.0 | EC001599 |

### UNSPSC

|               |          |
|---------------|----------|
| UNSPSC 6.01   | 43172015 |
| UNSPSC 7.0901 | 43201404 |

# Inline terminal - IB IL 24 DO 16-PAC/SN - 2862961

## Classifications

### UNSPSC

|              |          |
|--------------|----------|
| UNSPSC 11    | 43172015 |
| UNSPSC 12.01 | 43201404 |
| UNSPSC 13.2  | 32151602 |
| UNSPSC 18.0  | 32151602 |
| UNSPSC 19.0  | 32151602 |
| UNSPSC 20.0  | 32151602 |
| UNSPSC 21.0  | 32151602 |

## Approvals

### Approvals

#### Approvals

DNV GL / BV / LR / ABS / BSH / RINA / UL Recognized / EAC

#### Ex Approvals

UL Listed / cUL Listed / cULus Listed

### Approval details

|        |  |   |                  |
|--------|--|---|------------------|
| DNV GL |  | <a href="https://approvalfinder.dnvgl.com/">https://approvalfinder.dnvgl.com/</a>   | TAA00000BN       |
| BV     |  | <a href="http://www.veristar.com/portal/veristarinfo/generalinfo/approved/approvedProducts/equipmentAndMaterials">http://www.veristar.com/portal/veristarinfo/generalinfo/approved/approvedProducts/equipmentAndMaterials</a> | 20989/B2_BV      |
| LR     |  | <a href="http://www.lr.org/en">http://www.lr.org/en</a>   | 08/20033         |
| ABS    |  | <a href="http://www.eagle.org/eagleExternalPortalWEB/">http://www.eagle.org/eagleExternalPortalWEB/</a>   | 17-HG1621871-PDA |
| BSH    |  |   | 658              |
| RINA   |  | <a href="http://www.rina.org/en">http://www.rina.org/en</a>   | ELE001320XG      |

# Inline terminal - IB IL 24 DO 16-PAC/SN - 2862961

## Approvals

|               |  |   |               |
|---------------|--|---|---------------|
| UL Recognized |  | <a href="http://database.ul.com/cgi-bin/XYV/template/LISEXT/1FRAME/index.htm">http://database.ul.com/cgi-bin/XYV/template/LISEXT/1FRAME/index.htm</a> | FILE E 140324 |
|---------------|--|---|---------------|

|     |  |               |
|-----|--|---------------|
| EAC |  | EAC-Zulassung |
|-----|--|---------------|

## Accessories

### Accessories

#### Front adapter

Front adapters - FLKM 14-PA-INLINE/OUT16 - 2302764



VARIOFACE front adapter for Inline modules, for transferring 16 (2 x 8) digital output signals.

---

### Labeling panel

Labeling field - IB IL FIELD 2 - 2727501

Labeling field, width: 12.2 mm



---

Labeling field - IB IL FIELD 8 - 2727515

Labeling field, width: 48.8 mm



---

### Plug

## Inline terminal - IB IL 24 DO 16-PAC/SN - 2862961

### Accessories

Inline connector - IB IL SCN-12 - 2726340



Connector, for digital 4 or 16-channel inline terminals

---

### Terminal marking

Insert strip - ESL 62X10 - 0809492



Insert strip, Sheet, white, unlabeled, can be labeled with: Office printing systems: Laser printer, mounting type: insert, lettering field size: 62 x 10 mm, Number of individual labels: 72

---

Insert strip - ESL 62X46 - 0809502



Insert strip, Sheet, white, unlabeled, can be labeled with: Office printing systems: Laser printer, mounting type: insert, lettering field size: 62 x 46 mm, Number of individual labels: 120

---

---

Phoenix Contact 2020 © - all rights reserved  
<http://www.phoenixcontact.com>

PHOENIX CONTACT GmbH & Co. KG  
Flachsmarktstr. 8  
32825 Blomberg  
Germany  
Tel. +49 5235 300  
Fax +49 5235 3 41200  
<http://www.phoenixcontact.com>



## X-ON Electronics

Largest Supplier of Electrical and Electronic Components

*Click to view similar products for [Controllers](#) category:*

*Click to view products by [Phoenix Contact](#) manufacturer:*

Other Similar products are found below :

[61FGPN8DAC120](#) [CV500SLK21](#) [70177-1011](#) [F03-03 HAS C](#) [F03-31](#) [81550401](#) [FT1A-C12RA-W](#) [88981106](#) [H2CAC24A](#) [H2CRSAC110B](#)  
[R88A-CRGB003CR-E](#) [R88ARR080100S](#) [R88A-TK01K](#) [DCN1-1](#) [DRT2ID08C](#) [DTB4896VRE](#) [DTB9696CVE](#) [DTB9696LVE](#) [E53-AZ01](#)  
[E53E01](#) [E53E8C](#) [E5C4Q40J999FAC120](#) [E5CWLQ1TCAC100240](#) [E5GNQ03PFLKACDC24](#) [B300LKL21](#) [NSCXDC1V3](#) [NSH5-232CW-3M](#)  
[NT20SST122BV1](#) [NV-CN001](#) [OAS-160-N](#) [C40PEDRA](#) [K31S6](#) [K33-L1B](#) [K3MA-F](#) [100-240VAC](#) [K3TX-AD31A](#) [89750101](#) [L595020](#)  
[SRM1-C02](#) [SRS2-1](#) [FT1A-C14SA-S](#) [G32X-V2K](#) [26546803](#) [26546805](#) [PWRA440A](#) [CPM1AETL03CH](#) [CV500SLK11](#) [3G2A5BI081](#)  
[3G2A5IA122](#) [3G2A5LK010E](#) [3G2A5OA223](#)