

Bus coupler - IL IB BK-PAC - 2863070

Please be informed that the data shown in this PDF Document is generated from our Online Catalog. Please find the complete data in the user's documentation. Our General Terms of Use for Downloads are valid (<http://phoenixcontact.com/download>)



Inline, Bus coupler, INTERBUS, Inline shield connector, transmission speed in the local bus: 500 kbps, degree of protection: IP20, including Inline connectors and marking fields

Product Description

The bus coupler connects an Inline station to the INTERBUS remote bus and provides the supply voltages for the connected devices.

Your advantages

- Supplies all 24 V DC voltages required for the low-level signal
- Electrical isolation
- Diagnostic and status indicators



Key Commercial Data

| | |
|--------------|---------------|
| Packing unit | 1 pc |
| GTIN | |
| GTIN | 4017918924065 |

Technical data

Dimensions

| | |
|--------|---------|
| Width | 48.8 mm |
| Height | 135 mm |
| Depth | 71.5 mm |

Ambient conditions

| | |
|--|--|
| Ambient temperature (operation) | -25 °C ... 55 °C |
| Ambient temperature (storage/transport) | -25 °C ... 85 °C |
| Permissible humidity (operation) | 75 % ... 85 % (in the range of -25°C ... +55°C, appropriate measures against increased humidity (> 85%) must be taken.) |
| Permissible humidity (storage/transport) | 75 % ... 85 % (Slight temporary condensation may sometimes appear on the housing, e.g. when the terminal block is brought out of a vehicle into an enclosed room.) |
| Air pressure (operation) | 80 kPa ... 106 kPa (up to 3000 m above sea level) |

Bus coupler - IL IB BK-PAC - 2863070

Technical data

Ambient conditions

| | |
|----------------------------------|---|
| Air pressure (storage/transport) | 70 kPa ... 106 kPa (up to 3000 m above sea level) |
| Degree of protection | IP20 |

General

| | |
|---------------|----------|
| Mounting type | DIN rail |
| Color | green |
| Net weight | 142 g |

Interfaces

| | |
|----------------------|-------------------------|
| Designation | INTERBUS |
| No. of channels | 2 |
| Connection method | Inline shield connector |
| Transmission speed | 500 kbps |
| Transmission physics | Copper |
| Designation | Inline local bus |
| Connection method | Inline data jumper |
| Transmission speed | 500 kbps |

Network/bus system

| | |
|---|---|
| Number of local bus devices that can be connected | 63 |
| Number of devices with parameter channel | 62 |
| Number of supported branch terminals with remote bus branch | 0 (A terminal with remote bus branch cannot be used.) |

Inline potentials

| | |
|----------------------|--|
| Designation | Bus coupler supply U_{BC} ; Communications power U_L (7.5 V) and the analog supply U_{ANA} (24 V) are generated from the bus coupler supply. |
| Supply voltage | 24 V DC (via Inline connector) |
| Supply voltage range | 19.2 V DC ... 30 V DC (including all tolerances, including ripple) |
| Current consumption | typ. 100 mA (without connected Inline I/O terminals) |
| | max. 1.25 A (with max. number of connected I/O terminal blocks) |
| Designation | Communications power (U_L) |
| Supply voltage | 7.5 V DC $\pm 5\%$ |
| Power supply unit | max. 0.7 A DC (observe derating) |
| Designation | Supply of analog modules (U_{ANA}) |
| Supply voltage | 24 V DC |
| Supply voltage range | 19.2 V DC ... 30 V DC (including all tolerances, including ripple) |
| Power supply unit | max. 0.5 A DC (observe derating) |
| Designation | Main circuit supply (U_M) |
| Supply voltage | 24 V DC |
| Supply voltage range | 19.2 V DC ... 30 V DC (including all tolerances, including ripple) |
| Power supply unit | max. 8 A DC (sum of $U_M + U_S$) |
| Designation | Segment circuit supply (U_S) |
| Supply voltage | 24 V DC |

Bus coupler - IL IB BK-PAC - 2863070

Technical data

Inline potentials

| | |
|----------------------|--|
| Supply voltage range | 19.2 V DC ... 30 V DC (including all tolerances, including ripple) |
| Power supply unit | max. 8 A DC (sum of $U_M + U_S$) |

Electrical isolation

| | |
|--------------|---|
| Test section | 5 V supply, incoming remote bus/5 V supply outgoing remote bus 500 V AC 50 Hz 1 min. |
| | 5 V supply incoming remote bus/7.5 V communications power, 24 V analog supply, 24 V bus coupler supply 500 V AC 50 Hz 1 min. |
| | 5 V supply, incoming remote bus/24 V main supply, 24 V segment supply 500 V AC 50 Hz 1 min. |
| | 5 V supply incoming remote bus/functional ground 500 V AC 50 Hz 1 min. |
| | 5 V supply, outgoing remote bus/24 V main supply, 24 V segment supply 500 V AC 50 Hz 1 min. |
| | 5 V supply outgoing remote bus/7.5 V communications power, 24 V analog supply, 24 V bus coupler supply 500 V AC 50 Hz 1 min. |
| | 5 V supply outgoing remote bus/functional ground 500 V AC 50 Hz 1 min. |
| | 7.5 V communications power, 24 V analog supply, 24 V bus coupler supply/functional ground 500 V AC 50 Hz 1 min. |
| | 7.5 V communications power, 24 V analog supply, 24 V bus coupler supply / 24 V main supply, 24 V segment supply 500 V AC 50 Hz 1 min. |
| | 24 V main supply, 24 V segment supply/functional ground 500 V AC 50 Hz 1 min. |

Standards and Regulations

| | |
|----------------------------------|-----|
| Connection in acc. with standard | CUL |
|----------------------------------|-----|

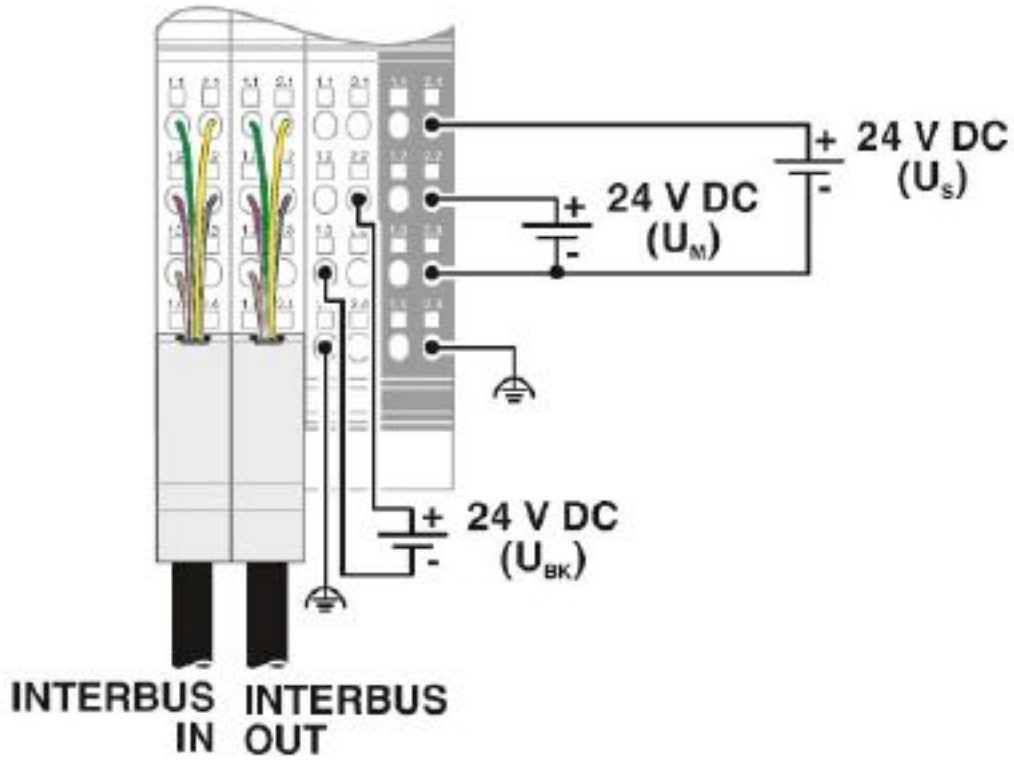
Environmental Product Compliance

| | |
|------------|---|
| REACH SVHC | Lead 7439-92-1 |
| China RoHS | Environmentally friendly use period: unlimited = EFUP-e |
| | No hazardous substances above threshold values |

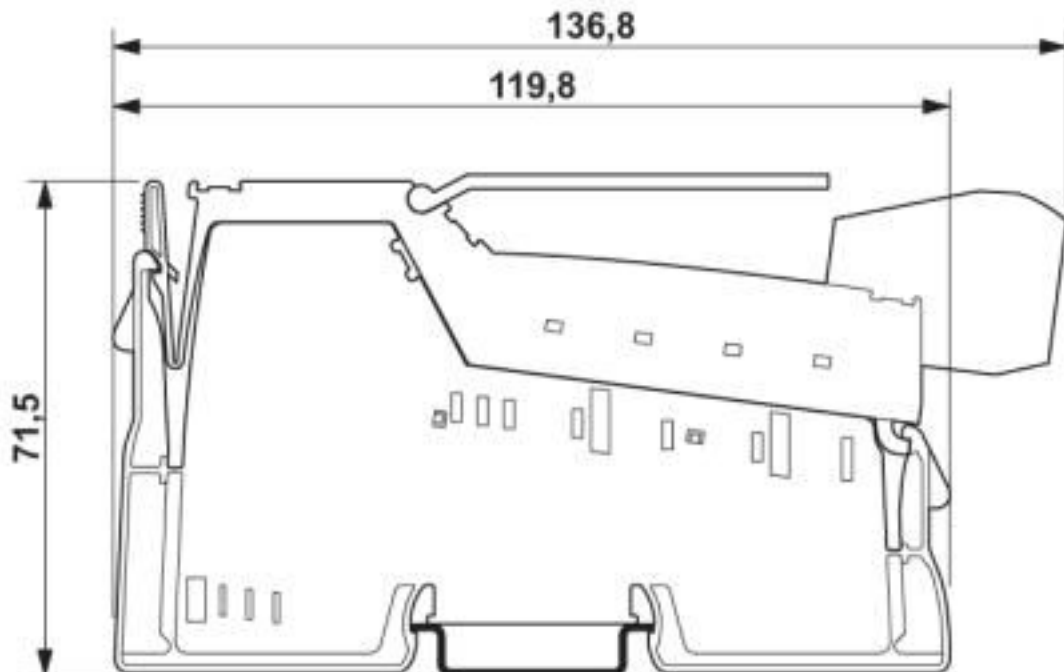
Drawings

Bus coupler - IL IB BK-PAC - 2863070

Connection diagram



Dimensional drawing



Bus coupler - IL IB BK-PAC - 2863070

Classifications

eCl@ss

| | |
|---------------|----------|
| eCl@ss 10.0.1 | 27242608 |
| eCl@ss 4.0 | 27250200 |
| eCl@ss 4.1 | 27250200 |
| eCl@ss 5.0 | 27250200 |
| eCl@ss 5.1 | 27242600 |
| eCl@ss 6.0 | 27242600 |
| eCl@ss 7.0 | 27242608 |
| eCl@ss 8.0 | 27242608 |
| eCl@ss 9.0 | 27242608 |

ETIM

| | |
|----------|----------|
| ETIM 2.0 | EC000634 |
| ETIM 3.0 | EC000634 |
| ETIM 4.0 | EC001604 |
| ETIM 5.0 | EC001604 |
| ETIM 6.0 | EC001604 |
| ETIM 7.0 | EC001604 |

UNSPSC

| | |
|---------------|----------|
| UNSPSC 6.01 | 43172015 |
| UNSPSC 7.0901 | 43201404 |
| UNSPSC 11 | 43172015 |
| UNSPSC 12.01 | 43201404 |
| UNSPSC 13.2 | 32151602 |
| UNSPSC 18.0 | 32151602 |
| UNSPSC 19.0 | 32151602 |
| UNSPSC 20.0 | 32151602 |
| UNSPSC 21.0 | 32151602 |

Approvals

Approvals

Approvals

DNV GL / BV / LR / ABS / BSH / UL Recognized / cUL Recognized / cULus Recognized

Ex Approvals

Approval details

Bus coupler - IL IB BK-PAC - 2863070

Approvals

| | | | |
|------------------|--|---|------------------|
| DNV GL | | https://approvalfinder.dnvgl.com/ | TAA00000BN |
| BV | | http://www.veristar.com/portal/veristarinfo/generalinfo/approved/approvedProducts/equipmentAndMaterials | 21725/B0 BV |
| LR | | http://www.lr.org/en | 08/20033 |
| ABS | | http://www.eagle.org/eagleExternalPortalWEB/ | 17-HG1621871-PDA |
| BSH | | | Anwenderhinweis |
| UL Recognized | | http://database.ul.com/cgi-bin/XYV/template/LISEXT/1FRAME/index.htm | FILE E 140324 |
| cUL Recognized | | http://database.ul.com/cgi-bin/XYV/template/LISEXT/1FRAME/index.htm | FILE E 140324 |
| cULus Recognized | | | |

Accessories

Accessories

Connector set

Connector set - IB IL BK-PLSET/CP - 2860374



Connector set for Inline bus coupler, color-coded

End block

Bus coupler - IL IB BK-PAC - 2863070

Accessories

End clamp - E/UK - 1201442



End clamp, width: 9.5 mm, height: 35.3 mm, material: PA, length: 50.5 mm, Mounting on a DIN rail NS 32 or NS 35, color: gray

Labeled terminal marker

Zack Marker strip, flat - ZBF 6,LGS:FORTL.ZAHLEN - 0808749



Zack Marker strip, flat, Strip, white, labeled, printed horizontally: consecutive numbers 1 ... 10, 11 ... 20, etc. up to 91 ... 100, mounting type: snap into flat marker groove, for terminal block width: 6.2 mm, lettering field size: 5.15 x 6.15 mm, Number of individual labels: 10

Labeling panel

Labeling field - IB IL FIELD 8 - 2727515

Labeling field, width: 48.8 mm



Terminal marking

Insert strip - ESL 62X46 - 0809502

Insert strip, Sheet, white, unlabeled, can be labeled with: Office printing systems: Laser printer, mounting type: insert, lettering field size: 62 x 46 mm, Number of individual labels: 120



Zack Marker strip, flat - ZBF 6:UNBEDRUCKT - 0808710



Zack Marker strip, flat, Strip, white, unlabeled, can be labeled with: PLOTMARK, CMS-P1-PLOTTER, mounting type: snap into flat marker groove, for terminal block width: 6.2 mm, lettering field size: 5.15 x 6.15 mm, Number of individual labels: 10

Phoenix Contact 2020 © - all rights reserved
<http://www.phoenixcontact.com>

PHOENIX CONTACT GmbH & Co. KG
Flachmarktstr. 8
32825 Blomberg
Germany
Tel. +49 5235 300
Fax +49 5235 3 41200
<http://www.phoenixcontact.com>

X-ON Electronics

Largest Supplier of Electrical and Electronic Components

Click to view similar products for [I/O Modules](#) category:

Click to view products by [Phoenix Contact](#) manufacturer:

Other Similar products are found below :

[70L-IDC5S](#) [70L-OAC-L](#) [70Z3289-4](#) [G21960000700](#) [G21960002700](#) [G34960002700](#) [G88104401](#) [OACU](#) [C4SWOUT](#) [PB16H](#)
[G34960001700](#) [G3TA-OA101SZ-1](#) [DC24](#) [G77-S](#) [G78-16-E](#) [5607189](#) [DA5](#) [ODC-24A](#) [IDC5P](#) [FC6A-N16B1](#) [6421](#) [FC6A-N32B3](#)
[70MRCQ32-HL](#) [G3TAOD201SDC24](#) [C200H-LK201-V1](#) [G3TA-OA202SZ-US](#) [DC12](#) [GT1-OD16](#) [GT1-AD04CST](#) [B7AM-6BS](#) [70GRCQ24-](#)
[HS](#) [6422](#) [84110410](#) [GT1-OD16MX](#) [G7VC-OC16-B7](#) [70MRCK24-DIN](#) [6202](#) [6402](#) [PI/NI-2D/24](#) [FC6A-J2C1](#) [FC6A-KC1C](#) [FC6A-R081](#)
[FC6A-J8CU1](#) [GP32900003700](#) [641-480-5022](#) [PB16H](#) [84145010](#) [84110210](#) [FRUSB1601](#) [PCL-720+-BE](#) [FRRJ451601](#) [AP24MX3DB25F](#)