

Signal isolator - PI-EX-NAM/TO-P - 2865117


Please be informed that the data shown in this PDF Document is generated from our Online Catalog. Please find the complete data in the user's documentation. Our General Terms of Use for Downloads are valid (<http://phoenixcontact.com/download>)



Ex i binary input: NAMUR isolation amplifiers. For operating proximity sensors and switches in Ex areas. The signals are transmitted to a safe area. Transistor output (passive), line fault detection. Galvanic 3-way isolation.



Key Commercial Data

Packing unit	1 pc
GTIN	 4 017918 961541
GTIN	4017918961541

Technical data

Note

Utilization restriction	EMC: class A product, see manufacturer's declaration in the download area
-------------------------	---

Dimensions

Width	12.4 mm
Height	145 mm
Depth	147 mm

Ambient conditions

Ambient temperature (operation)	max. -20 °C ... 60 °C (see data sheet)
Ambient temperature (storage/transport)	-40 °C ... 85 °C

Input data

Non-load voltage	8.2 V DC ±10 %
Switching points (attenuated)	< 1.2 mA (blocking)
Switching points (unattenuated)	> 2.1 mA (conductive)
Signal input	Intrinsically safe
Available input sources	NAMUR proximity sensors (EN 60947-5-6)

Signal isolator - PI-EX-NAM/TO-P - 2865117

Technical data

Output data

Switching output	Transistor output, passive, npn
Configurable/programmable	Can be inverted via slide switch
Switching current	100 mA (short-circuit resistant)
Switching frequency	max. 2 kHz (DC)

Power supply

Supply voltage range	20 V DC ... 30 V DC
Max. current consumption	25 mA
Power consumption	max. 0.6 W (24 V)

Connection data

Connection method	Screw connection
-------------------	------------------

General

Status display	Green LED (supply voltage)
	Yellow LED (status display)
	Red LED (line errors)
Flammability rating according to UL 94	V0
Standards/regulations	NAMUR recommendation NE 21
Housing material	PBT and polyamide PA non-reinforced
Color	green
Designation	Input/output
Electrical isolation	375 V (Peak value as per EN 50020 / EN 60079-11)
Designation	Input/power supply
Electrical isolation	375 V (Peak value as per EN 50020 / EN 60079-11)
Designation	Output/supply
Electrical isolation	1.5 kV (50 Hz, 1 min., test voltage)
Conformance	CE-compliant
ATEX	# II (1) GD [EEx ia] IIC
	# II 3 G Ex nA II T4 X
UL, USA/Canada	UL applied for
Functional Safety (SIL)	SIL 2
SIL	2

Safety characteristic data

Integrity requirement	IEC 61508 - Low demand
Equipment type	Type A
Safety Integrity Level (SIL)	2
Safe Failure Fraction (SFF)	84 %
λ_{SU}	1.83×10^{-7} (183 FIT)
λ_{SD}	6×10^{-9} (6 FIT)
λ_{DU}	3.7×10^{-8} (37 FIT)

Signal isolator - PI-EX-NAM/TO-P - 2865117

Technical data

Safety characteristic data

λ_{DD}	8×10^{-9} (8 FIT)
Probability of a hazardous failure on demand (PFD _{AVG})	1.62×10^{-4} (1 year)
	8.08×10^{-4} (5 years)
	1.62×10^{-3} (10 years)
Diagnostic coverage (DC)	DC _S = 3%, DC _D = 17%

Safety data

Max. output voltage U _o	10.6 V
Max. output current I _o	33 mA
Max. output power P _o	86 mW
Group	IIA
Max. external inductivity L _o	230 mH
Max. external capacity C _o	72 µF
Group	IIB
Max. external inductivity L _o	110 mH
Max. external capacity C _o	16.2 µF
Group	IIC
Max. external inductivity L _o	30 mH
Max. external capacity C _o	2.3 µF
Safety-related maximum voltage U _m	250 V AC

Standards and Regulations

Standards/regulations	NAMUR recommendation NE 21
Flammability rating according to UL 94	V0
Conformance	CE-compliant
ATEX	# II (1) GD [EEx ia] IIC
	# II 3 G Ex nA II T4 X
UL, USA/Canada	UL applied for
Group	IIA
	IIB
	IIC

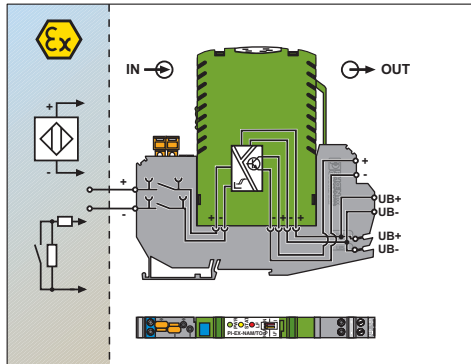
Environmental Product Compliance

China RoHS	Environmentally Friendly Use Period = 50
	For details about hazardous substances go to tab "Downloads", Category "Manufacturer's declaration"

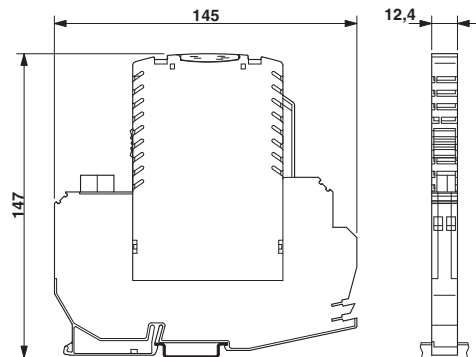
Drawings

Signal isolator - PI-EX-NAM/TO-P - 2865117

Block diagram



Dimensional drawing



Phoenix Contact 2018 © - all rights reserved
<http://www.phoenixcontact.com>

PHOENIX CONTACT GmbH & Co. KG
Flachsmarktstr. 8
32825 Blomberg
Germany
Tel. +49 5235 300
Fax +49 5235 3 41200
<http://www.phoenixcontact.com>

X-ON Electronics

Largest Supplier of Electrical and Electronic Components

Click to view similar products for [Antennas](#) category:

Click to view products by [Phoenix Contact](#) manufacturer:

Other Similar products are found below :

[GAN30084EU](#) [930-033-R](#) [GW17.07.0250E](#) [1513563-1](#) [EXE902SM](#) [APAMPG-117](#) [MAF94383](#) [W3908B0100](#) [W6102B0100](#) [YE572113-30RSMM](#) [108-00014-50](#) [66089-2406](#) [A09-F8NF-M](#) [A09-F5NF-M](#) [RGFRA1903041A1T](#) [W3593B0100](#) [W3921B0100](#) [SIMNA-868](#) [SIMNA-915](#) [SIMNA-433](#) [W1044](#) [W1049B090](#) [A75-001](#) [WTL2449CQ1-FRSMM](#) [CPL9C](#) [EXB148BN](#) [0600-00060](#) [TRA9020S3PBN-001](#) [GD5W-28P-NF](#) [MA9-7N](#) [GD53-25](#) [GD5W-21P-NF](#) [EXB144SM](#) [C37](#) [MAF94051](#) [GD35-17P-NF](#) [P1744](#) [MA9-5N](#) [EXD420PL](#) [B1322NR](#) [QWFTB120](#) [MAF94271](#) [MAF94300](#) [GPSMB301](#) [FG4403](#) [AO-AGSM-OM54](#) [5200232](#) [MIKROE-2349](#) [WCM.01.0111](#) [MIKROE-2393](#)