

Solenoid driver - PI-EX-SD-24-48 - 2865298


Please be informed that the data shown in this PDF Document is generated from our Online Catalog. Please find the complete data in the user's documentation. Our General Terms of Use for Downloads are valid (<http://phoenixcontact.com/download>)



Ex i solenoid driver, pluggable. To control intrinsically safe solenoid valves, alarm modules as well as simple electric equipment installed in Ex areas. For Group IIC gases, loop-powered. Electrical isolation.



Key Commercial Data

| | |
|--------------|---|
| Packing unit | 1 pc |
| GTIN |  4 046356 147101 |
| GTIN | 4046356147101 |

Technical data

Note

| | |
|-------------------------|---|
| Utilization restriction | EMC: class A product, see manufacturer's declaration in the download area |
|-------------------------|---|

Dimensions

| | |
|--------|---------|
| Width | 12.4 mm |
| Height | 145 mm |
| Depth | 147 mm |

Ambient conditions

| | |
|---|---|
| Ambient temperature (operation) | -20 °C ... 55 °C |
| Ambient temperature (storage/transport) | -40 °C ... 85 °C |
| Permissible humidity (operation) | 10 % ... 95 % (relative humidity, non-condensing) |

Output data

| | |
|--|---|
| Output characteristic curve: Output resistor | ≤ 278 Ω (Internal resistance R _i) |
| Response time | < 30 ms |

Compatible valves

| | |
|------|---|
| Note | This is an extract of possible combinations of valves and solenoid drivers. |
|------|---|

Solenoid driver - PI-EX-SD-24-48 - 2865298

Technical data

Compatible valves

| | |
|------------------|---|
| Compatible valve | ASCO Coil 195 |
| | ASCO Coil 302 (12 V) |
| | Bürkert Coil AC 10 standard |
| | Bürkert Coil AC 10 high resistance |
| | Bürkert Coil AC 21 standard 700 mW / 65°C |
| | Bürkert Coil AC 21 high resistance 700 mW / 65°C |
| | Bürkert Coil AC 21 standard 900 mW / 45°C |
| | Bürkert Coil AC 21 high resistance 900 mW / 45°C |
| | Bürkert Coil AC 21 standard 900 mW / 60°C |
| | Bürkert Coil AC 21 high resistance 900 mW / 60°C |
| | Bürkert Coil G1 642735 standard 800 mW / 40°C |
| | Bürkert Coil G1 642735 high resistance 800 mW / 40°C |
| | Bürkert Coil G1 642735 standard 1000 mW / 40°C |
| | Bürkert Coil G1 642735 high resistance 1000 mW / 40°C |
| | FESTO Coil MFH-...IA-SA-EX GBXE022AIAD03 |
| | FESTO Coil (J)MFH-...BIA-SA-EX GBXE022AIAD03 |
| | Norgren Herion Coil 2050 |
| | Norgren Herion Coil 2051 |
| | Norgren Herion Coil 2052 |
| | Norgren Herion Coil 2053 |
| | Norgren Herion Coil 2080 / 2082 |
| | Norgren Herion Coil 2081 / 2083 |
| | Norgren Herion Coil 2084 |
| | Norgren Herion Coil 3039 |
| | Nass Coil 1259 30.1-00 |
| | Nass Coil 1259 50.1-00 |
| | Parker Coil VZ07 488650.01 |
| | Parker Coil VZ33 494035.10 |
| | Parker Coil VZ08 488660.01 |
| | Parker Coil VZ09 488670.01 |
| | Parker Coil VZ95 482160.01 EEx ia IIB T6 |
| | Parker Coil VZ23 482870.01 |
| | Samson Coil 3701-12 (12 V) |
| | Samson Coil 3701-13 (24 V) |
| | Samson Coil 3963-12 (12 V) |
| | Samson Coil 3963-13 (24 V) |
| | Samson Coil 3964-12 (12 V) |
| | Samson Coil 3964-13 (24 V) |
| | Seitz Pilot valve PV 12F73 Ci oH |
| | Seitz Pilot valve PV 12F73 Xi oH |

Solenoid driver - PI-EX-SD-24-48 - 2865298

Technical data

Compatible valves

| | |
|--|------------------------------------|
| | Seitz Pilot valve PV 12F73 Xi oH-2 |
| | Seitz Solenoid coil 11 G 52 |

Power supply

| | |
|--------------------------|----------------------|
| Max. current consumption | < 110 mA (at 24 V) |
| Power dissipation | max. 1.5 W (at 24 V) |

General

| | |
|--|--|
| Maximum temperature coefficient | 0.01 %/K |
| Status display | Yellow LED (status display) Red LED (line errors) |
| Flammability rating according to UL 94 | V0 |
| Housing material | PBT and polyamide PA non-reinforced |
| Color | green |
| Designation | Input/output |
| Electrical isolation | 375 V (Peak value as per EN 50020 / EN 60079-11) 2.5 kV (50 Hz, 1 min., test voltage) |
| Conformance | CE-compliant |
| ATEX | # II (1) GD [Ex ia] IIC / IIB / IIA # II 3 G Ex nA II T4 X |
| Functional Safety (SIL) | SIL 3 |
| SIL | 3 |

Safety characteristic data

| | |
|--|--|
| Integrity requirement | IEC 61508 - Low demand |
| Equipment type | Type A |
| Safety Integrity Level (SIL) | 3 |
| Safe Failure Fraction (SFF) | 100 % |
| λ_{SU} | 2.84×10^{-7} (284 FIT) |
| λ_{SD} | 0 |
| λ_{DU} | 0 |
| λ_{DD} | 0 |
| Probability of a hazardous failure on demand (PFD _{AVG}) | 0 (1 year) 0 (5 years) 0 (10 years) |
| Diagnostic coverage (DC) | DC _S =0 %, DC _D =0 % |

Safety data

| | |
|------------------------------------|--------|
| Max. output voltage U _o | 27.7 V |
| Max. output current I _o | 101 mA |
| Max. output power P _o | 697 mW |
| Group | IIA |

Solenoid driver - PI-EX-SD-24-48 - 2865298

Technical data

Safety data

| | |
|--------------------------------------|--|
| Max. external inductivity L_o | 20 mH |
| Max. external capacity C_o | 0.44 μ F |
| Group | IIB |
| Max. external inductivity L_o | 2 mH |
| Max. external capacity C_o | 0.29 μ F |
| Group | IIC |
| Max. external inductivity L_o | 0.5 mH |
| Max. external capacity C_o | 0.067 μ F |
| Max. ratio L_o/R_o | 51.1 μ H/ Ω |
| Additional text | Please follow the technical data regarding the connecting cables used. |
| Safety-related maximum voltage U_m | 250 V AC (125 V DC) |

Standards and Regulations

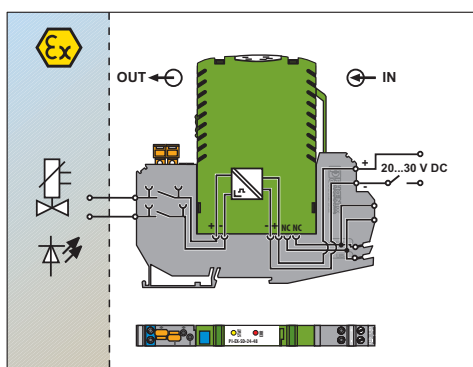
| | |
|--|-------------------------------------|
| Flammability rating according to UL 94 | V0 |
| Conformance | CE-compliant |
| ATEX | # II (1) GD [Ex ia] IIC / IIB / IIA |
| | # II 3 G Ex nA II T4 X |
| Group | IIA |
| | IIB |
| | IIC |

Environmental Product Compliance

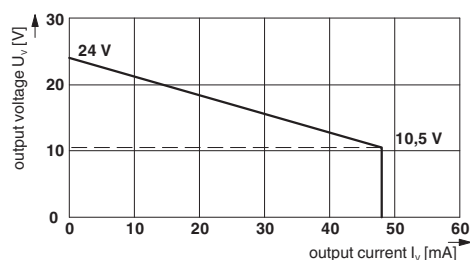
| | |
|------------|---|
| China RoHS | Environmentally Friendly Use Period = 50 |
| | For details about hazardous substances go to tab "Downloads", Category "Manufacturer's declaration" |

Drawings

Block diagram

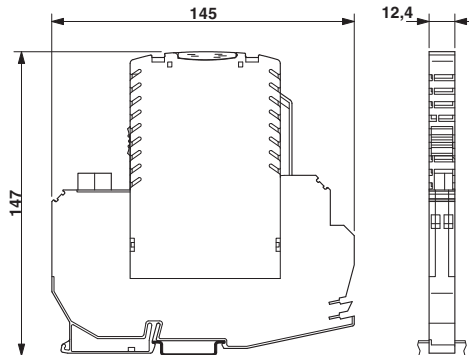


Diagram



Solenoid driver - PI-EX-SD-24-48 - 2865298

Dimensional drawing



Approvals

Approvals

Approvals

Functional Safety

Ex Approvals

Approval details

| | |
|-------------------|--------------------|
| Functional Safety | 06/06-05 R004 V2R0 |
|-------------------|--------------------|

Phoenix Contact 2018 © - all rights reserved
<http://www.phoenixcontact.com>

PHOENIX CONTACT GmbH & Co. KG
Flachsmarktstr. 8
32825 Blomberg
Germany
Tel. +49 5235 300
Fax +49 5235 3 41200
<http://www.phoenixcontact.com>

X-ON Electronics

Largest Supplier of Electrical and Electronic Components

Click to view similar products for [I/O Modules](#) category:

Click to view products by [Phoenix Contact](#) manufacturer:

Other Similar products are found below :

[70L-IDC5S](#) [70L-OAC-L](#) [70Z3289-4](#) [G21960000700](#) [G21960002700](#) [G34960002700](#) [G88104401](#) [OACU](#) [C4SWOUT](#) [PB16H](#)
[G34960001700](#) [G3TA-OA101SZ-1](#) [DC24](#) [G77-S](#) [G78-16-E](#) [5607189](#) [DA5](#) [ODC-24A](#) [IDC5P](#) [FC6A-N16B1](#) [6421](#) [70MRCQ32-HL](#)
[G3TAOD201SDC24](#) [C200H-LK201-V1](#) [G3TA-OA202SZ-US](#) [DC12](#) [GT1-OD16](#) [GT1-AD04CST](#) [B7AM-6BS](#) [70GRCQ24-HS](#) [6422](#)
[84110410](#) [GT1-OD16MX](#) [G7VC-OC16-B7](#) [70MRCK24-DIN](#) [6202](#) [6402](#) [PI/NI-2D/24](#) [FC6A-J2C1](#) [FC6A-KC1C](#) [FC6A-R081](#) [FC6A-](#)
[J8CU1](#) [GP32900003700](#) [641-480-5022](#) [PB16H](#) [84145010](#) [84110210](#) [FRUSB1601](#) [PCL-720+-BE](#) [FRRJ451601](#) [AP24MX3DB25F](#) [ADAM-](#)
[5053S-AE](#)