

Input isolating amplifier - PI-EX-AIS - 2865696


Please be informed that the data shown in this PDF Document is generated from our Online Catalog. Please find the complete data in the user's documentation. Our General Terms of Use for Downloads are valid (<http://phoenixcontact.com/download>)



Ex i analog input: Input isolating amplifier, HART. Sends 4-20 mA signals from externally supplied measuring transducers installed in Ex areas to a load in safe areas. Galvanic 3-way isolation (input / output / supply).



Key Commercial Data

| | |
|--------------|---|
| Packing unit | 1 pc |
| GTIN |  4 046356 483605 |
| GTIN | 4046356483605 |

Technical data

Note

| | |
|-------------------------|---|
| Utilization restriction | EMC: class A product, see manufacturer's declaration in the download area |
|-------------------------|---|

Dimensions

| | |
|--------|---------|
| Width | 12.4 mm |
| Height | 145 mm |
| Depth | 147 mm |

Ambient conditions

| | |
|---|--------------------------------|
| Ambient temperature (operation) | -20 °C ... 60 °C |
| Ambient temperature (storage/transport) | -40 °C ... 80 °C |
| Permissible humidity (operation) | 10 % ... 95 % (non-condensing) |

Input data

| | |
|----------------------|--------------------|
| Signal input | Intrinsically safe |
| Current input signal | 0 mA ... 20 mA |
| | 4 mA ... 20 mA |
| Voltage drop | < 3.5 V |

Input isolating amplifier - PI-EX-AIS - 2865696

Technical data

Output data

| | |
|--|--|
| Signal output | Current output |
| Current output signal | 0 mA ... 20 mA (active) |
| | 4 mA ... 20 mA (active) |
| | 0 mA ... 20 mA (14 ... 26 V ext. source voltage) |
| | 4 mA ... 20 mA (14 ... 26 V ext. source voltage) |
| Load/output load current output | ≤ 600 Ω (at 20 mA) |
| | < 525 Ω (at 22.5 mA) |
| Output ripple | < 20 mV _{rms} |
| Output behavior in the event of an error | 0 mA (Cable break in the input) |
| | 0 mA (Cable short-circuit in the input) |

Power supply

| | |
|--------------------------|------------------------------|
| Supply voltage range | 19.2 V DC ... 30 V DC |
| Max. current consumption | < 36 mA (at 24 V) |
| Power dissipation | < 0.9 W (at 24 V DC / 20 mA) |

General

| | |
|--|--|
| No. of channels | 1 |
| Maximum transmission error | < 0.2 % (of final value) |
| Transmission error, typical | < 0.1 % (of final value) |
| Maximum temperature coefficient | < 0.01 %/K |
| Step response (10-90%) | < 600 μs (for 4 mA ... 20 mA step) |
| Status display | Green LED (supply voltage, PWR) |
| Flammability rating according to UL 94 | V0 |
| Degree of pollution | 2 |
| Overvoltage category | II |
| Housing material | PBT and polyamide PA non-reinforced |
| Color | green |
| Designation | Input/output/power supply |
| Electrical isolation | 300 V _{rms} (Rated insulation voltage (overvoltage category II; degree of pollution 2, safe isolation as per EN 61010-1)) |
| | 2.5 kV (50 Hz, 1 min., test voltage) |
| Designation | Input/output |
| Electrical isolation | 375 V (Peak value in accordance with EN 60079-11) |
| Designation | Input/power supply |
| Electrical isolation | 375 V (Peak value in accordance with EN 60079-11) |
| Conformance | CE-compliant, additionally EN 61326 |
| ATEX | # II (1) G [Ex ia] IIC |
| | # II (1) D [Ex iaD] |
| | # II 3 (1) G Ex nA [ia] IIC T4 |
| Functional Safety (SIL) | SIL 2 according to IEC 61508 |
| SIL | 2 |

Input isolating amplifier - PI-EX-AIS - 2865696

Technical data

Data communication (bypass)

| | |
|---------------------|------|
| HART function | Yes |
| Protocols supported | HART |

Safety characteristic data

| | |
|--|---|
| Integrity requirement | IEC 61508 - Low demand |
| Equipment type | Type A |
| Safety Integrity Level (SIL) | 2 |
| Safe Failure Fraction (SFF) | 90.5 % |
| λ_{SU} | 1.23×10^{-7} (123 FIT) |
| λ_{SD} | 0 |
| λ_{DU} | 3.4×10^{-8} (34 FIT) |
| λ_{DD} | 2.05×10^{-7} (205 FIT) |
| Probability of a hazardous failure on demand (PFD _{AVG}) | 1.62×10^{-4} (1 year) |
| | 3.10×10^{-4} (2 years) |
| | 7.52×10^{-4} (5 years) |
| Diagnostic coverage (DC) | DC _S = 0%, DC _D = 86% |

Safety data

| | |
|---|----------|
| Safety-related maximum voltage U _m | 253 V AC |
|---|----------|

Standards and Regulations

| | |
|--|-------------------------------------|
| Flammability rating according to UL 94 | V0 |
| Conformance | CE-compliant, additionally EN 61326 |
| ATEX | # II (1) G [Ex ia] IIC |
| | # II (1) D [Ex iaD] |
| | # II 3 (1) G Ex nA [ia] IIC T4 |

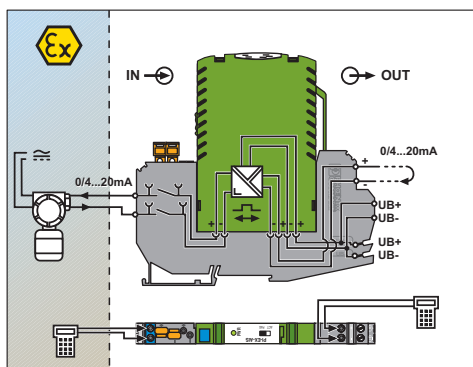
Environmental Product Compliance

| | |
|------------|---|
| China RoHS | Environmentally Friendly Use Period = 50 |
| | For details about hazardous substances go to tab "Downloads", Category "Manufacturer's declaration" |

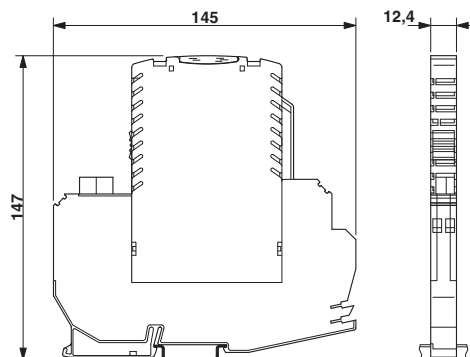
Drawings

Input isolating amplifier - PI-EX-AIS - 2865696

Block diagram



Dimensional drawing



Approvals

Approvals

Approvals

Functional Safety

Ex Approvals

ATEX / EAC Ex

Approval details

| | |
|-------------------|--------------------|
| Functional Safety | 09-06-52 R010 V1R0 |
|-------------------|--------------------|

Phoenix Contact 2018 © - all rights reserved
<http://www.phoenixcontact.com>

PHOENIX CONTACT GmbH & Co. KG
Flachsmarktstr. 8
32825 Blomberg
Germany
Tel. +49 5235 300
Fax +49 5235 3 41200
<http://www.phoenixcontact.com>

X-ON Electronics

Largest Supplier of Electrical and Electronic Components

Click to view similar products for [I/O Modules](#) category:

Click to view products by [Phoenix Contact](#) manufacturer:

Other Similar products are found below :

[70L-IDC5S](#) [70L-OAC-L](#) [70Z3289-4](#) [G21960000700](#) [G21960002700](#) [G34960002700](#) [G88104401](#) [OACU](#) [C4SWOUT](#) [PB16H](#)
[G34960001700](#) [G3TA-OA101SZ-1](#) [DC24](#) [G77-S](#) [G78-16-E](#) [5607189](#) [DA5](#) [ODC-24A](#) [IDC5P](#) [FC6A-N16B1](#) [6421](#) [70MRCQ32-HL](#)
[G3TAOD201SDC24](#) [C200H-LK201-V1](#) [G3TA-OA202SZ-US](#) [DC12](#) [GT1-OD16](#) [GT1-AD04CST](#) [B7AM-6BS](#) [70GRCQ24-HS](#) [6422](#)
[84110410](#) [GT1-OD16MX](#) [G7VC-OC16-B7](#) [70MRCK24-DIN](#) [6202](#) [6402](#) [PI/NI-2D/24](#) [FC6A-J2C1](#) [FC6A-KC1C](#) [FC6A-R081](#) [FC6A-](#)
[J8CU1](#) [GP32900003700](#) [641-480-5022](#) [PB16H](#) [84145010](#) [84110210](#) [FRUSB1601](#) [PCL-720+-BE](#) [FRRJ451601](#) [AP24MX3DB25F](#) [ADAM-](#)
[5053S-AE](#)