

Wireless module - RAD-ISM-900-RX - 2867047

Please be informed that the data shown in this PDF Document is generated from our Online Catalog. Please find the complete data in the user's documentation. Our General Terms of Use for Downloads are valid (<http://phoenixcontact.com/download>)




Receiver to expand point-to-multipoint connections, for unidirectional wireless 900 MHz transmission system (America)

Your advantages

- ✓ The transmitter can be installed on a DIN rail or outdoors (IP65)
- ✓ Two pre-programmed transceivers that automatically communicate with each other
- ✓ Operates in the license-free 902 - 928 MHz ISM band
- ✓ Frequency hopping spread spectrum
- ✓ Two omnidirectional antennas
- ✓ The receiver for DIN rail mounting is supplied with 24 V DC
- ✓ Conducted transmitters can either be supplied with 24 V DC or 120/240 V AC



Key Commercial Data

Packing unit	1 pc
GTIN	 4 017918 929589
GTIN	4017918929589

Technical data

Note

Trade restriction	The products are offered exclusively for export outside the EU and the European Economic Area.
-------------------	--

Dimensions

Width	17.5 mm
Height	99 mm
Depth	114.5 mm

Ambient conditions

Ambient temperature (operation)	-40 °C ... 70 °C
Ambient temperature (storage/transport)	-40 °C ... 85 °C
Degree of protection	IP20

Wireless set

Wireless module - RAD-ISM-900-RX - 2867047

Technical data

Wireless set

Set contents	Receiver
--------------	----------

Analog output (receiver)

Output name	Current output
Current output signal	4 mA ... 20 mA
Load/output load current output	700 Ω (at $U_B = 24\text{ V}$, $R_B = [U_B - 10\text{ V}] / 20\text{ mA}$)

Digital output (receiver)

Output name	2 x relay output + 1 x RF link
Contact type	3 floating PDT contacts
Contact material	Ag, gold-plated
Maximum switching voltage	30 V DC
	120 V AC
Limiting continuous current	0.5 A
Mechanical service life	1x 10 ⁷
Service life, electrical	8x 10 ⁵ cycles at a switching current of 0.5 A

Supply (receiver)

Supply voltage	24 V DC (at U_B)
Supply voltage range	12 V DC ... 30 V DC
Typical current consumption	85 mA
Max. current consumption	125 mA

General

Mounting position	any
Assembly instructions	on standard DIN rail NS 35 in accordance with EN 60715
Housing material	Polyamide PA non-reinforced

Connection data

Conductor cross section solid min.	0.2 mm ²
Conductor cross section solid max.	2.5 mm ²
Conductor cross section flexible min.	0.2 mm ²
Conductor cross section flexible max.	2.5 mm ²
Conductor cross section AWG min.	24
Conductor cross section AWG max.	14
Connection method	Screw connection
Stripping length	8 mm
Screw thread	M3

Standards and Regulations

Electromagnetic compatibility	FCC Part 15.247 / ISC RSS 210
Conformance	FCC Directive, Part 15.247
	ISC Directive RSS 210
UL, USA/Canada	Class I, Div. 2, Groups A, B, C, D

Wireless module - RAD-ISM-900-RX - 2867047

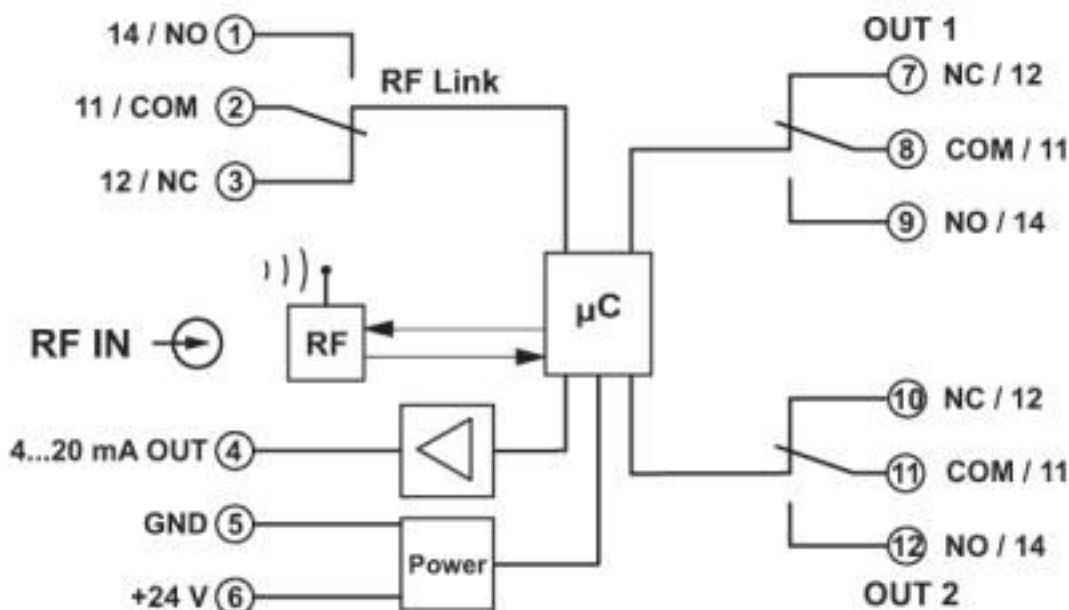
Technical data

Environmental Product Compliance

China RoHS	Environmentally Friendly Use Period = 50 years
	For details about hazardous substances go to tab "Downloads", Category "Manufacturer's declaration"

Drawings

Block diagram



Receiver module

Classifications

eCl@ss

eCl@ss 4.0	27250312
eCl@ss 4.1	27250312
eCl@ss 5.0	27242208
eCl@ss 5.1	27242200
eCl@ss 6.0	19179200
eCl@ss 7.0	19179290
eCl@ss 8.0	19179290
eCl@ss 9.0	19179290

ETIM

ETIM 2.0	EC000310
ETIM 3.0	EC000310
ETIM 4.0	EC000310

Wireless module - RAD-ISM-900-RX - 2867047

Classifications

ETIM

ETIM 5.0	EC000310
ETIM 6.0	EC000310
ETIM 7.0	EC000310

UNSPSC

UNSPSC 6.01	30211506
UNSPSC 7.0901	43223108
UNSPSC 11	39121008
UNSPSC 12.01	43223108
UNSPSC 13.2	43222604
UNSPSC 19.0	43222604

Accessories

Accessories

Adapter cable

Antenna cable - RAD-CON-MCX-N-SB - 2867717

Antenna cable, outside diameter: 2.5 mm (0.1 in.), inner conductor: stranded, attenuation: 0.9 dB at 900 MHz, connection: MCX (male) -> N (female), cable length: 1.2 m (4 ft.)



Antenna cable - RAD-CON-SMA-N-SS - 2867403

Antenna cable, outside diameter: 2.5 mm (0.1 in.), inner conductor: stranded, attenuation: 0.9 dB at 900 MHz, connection: SMA (male) -> N (male), cable length: 1.2 m (4 ft.)



Antenna cable - RAD-CON-MCX-MCX-SS - 2867607

Antenna cable, outside diameter: 2.8 mm (0.11 in.), inner conductor: stranded, attenuation: 0.9 dB at 900 MHz, connection: MCX (male) -> MCX (male), cable length: 0.3 m (1 ft.)



Wireless module - RAD-ISM-900-RX - 2867047

Accessories

Antenna cable - RAD-CON-MCX90-N-SS - 2885207



Antenna cable, outside diameter: 2.5 mm (0.1 in.), inner conductor: stranded, attenuation: 0.9 dB at 900 MHz, connection: 90° MCX (male) -> N (male), cable length: 1.2 m (4 ft.)

Antenna cable - RAD-CON-MCX-RPSMA-EX - 2885621



Antenna barrier, installation: Class I, Div. 1, Grps. A, B, C, D; Class II, Div. 1, Grps. F, G, frequency range: 0.3G Hz ... 6 GHz, connection: RPSMA (male) -> MCX (male), incl. 0.7 m / 2.3 ft. connection cable, UL HazLoc approval

Antenna

Antenna - RAD-ISM-900-ANT-OMNI-5 - 2867199



Omnidirectional antenna, 900 MHz, gain: 7 dBi, polarization: linear, opening angle: h/v 360°/30°, degree of protection: IP65, connection: N (female), incl. mounting bracket and mast clips

Antenna - RAD-ISM-900-ANT-OMNI-FG-3-N - 2867791



Omnidirectional antenna, 900 MHz, gain: 5 dBi, polarization: linear, opening angle: h/v 360°/28°, degree of protection: IP65, connection: N (female), incl. mounting bracket and mast clips

Antenna - RAD-ISM-900-ANT-YAGI-3-N - 2867801



Directional antenna, 868 MHz / 900 MHz, gain: 5 dBi, polarization: linear, opening angle: h/v 168°/78°, degree of protection: IP65, connection: N (female), incl. mounting bracket and mast clips

Wireless module - RAD-ISM-900-RX - 2867047

Accessories

Antenna - RAD-ISM-900-ANT-YAGI-6.5-N - 2867814



Directional antenna, 868 MHz / 900 MHz, gain: 8.5 dBi, polarization: linear, opening angle: h/v 100°/62°, degree of protection: IP65, connection: N (female), incl. mounting bracket and mast clips

Antenna - RAD-ISM-900-ANT-YAGI-6.5-25-AS - 2867827



Panel antenna with surge protection, adapter cable MCX->N and assembly material, IP65 protection, gain 8.5 dBi, cable length 7.6 m, connection N (female)

Antenna - RAD-ISM-900-ANT-YAGI-6.5-50-AS - 2867830



Panel antenna with surge protection, adapter cable MCX->N and assembly material, IP65 protection, gain 8.5 dBi, cable length 15.2 m, connection N (female)

Antenna - RAD-ISM-900-ANT-OMNI-0-6 - 2867160



Omnidirectional antenna, 900 MHz, gain: 2 dBi, polarization: linear, opening angle: h 360°, degree of protection: IP65, connection: MCX (male), incl. 2 m / 6.5 ft. connecting cable and mounting bracket for wall mounting

Antenna - RAD-ISM-900-ANT-OMNI-FG-6-N - 2885579



Omnidirectional antenna, 900 MHz, gain: 8 dBi, polarization: linear, opening angle: h/v 360°/15°, degree of protection: IP65, connection: N (female), incl. mounting bracket and mast clips

Coaxial adapter

Wireless module - RAD-ISM-900-RX - 2867047

Accessories

Antenna splitter - RAD-ISM-900-ANT-4 - 2867050



4-way distributor for antenna signals (antenna splitter), MCX connection (female)

Coaxial cable

Antenna cable - RAD-CAB-RG58-10 - 2867364



Antenna extension cable, length: 10 ft

Antenna cable - RAD-CAB-RG58-20 - 2867212



Antenna extension cable, length: 20 ft

Antenna cable - RAD-CAB-RG213-25 - 2867597



Antenna extension cable, length: 25 ft

Antenna cable - RAD-CAB-RG213-40 - 2867377



Antenna cable, outside diameter: 10 mm (0.4 in.), inner conductor: solid, attenuation: 2.9 dB at 900 MHz, connection: 2 x N (male), cable length: 12 m (40 ft.)

Wireless module - RAD-ISM-900-RX - 2867047

Accessories

Antenna cable - RAD-CAB-RG213-50 - 2867225



Antenna cable, outside diameter: 10 mm (0.4 in.), inner conductor: solid, attenuation: 3.5 dB at 900 MHz, connection: 2 x N (male), cable length: 15 m (50 ft.)

Antenna cable - RAD-CAB-PFP400-60 - 2867380



Antenna cable, outside diameter: 10 mm (0.4 in.), inner conductor: solid, attenuation: 2.5 / 4.2 / 6.3 dB at 0.9 / 2.4 / 5.8 GHz, connection: 2x N (male), cable length: 18 m (60 ft.)

Antenna cable - RAD-CAB-PFP400-80 - 2867393



Antenna cable, outside diameter: 10 mm (0.4 in.), inner conductor: solid, attenuation: 3.3 / 5.6 / 8.4 dB at 0.9 / 2.4 / 5.8 GHz, connection: 2x N (male), cable length: 24 m (80 ft.)

Antenna cable - RAD-CAB-PFP400-100 - 2867238



Antenna cable, outside diameter: 10 mm (0.4 in.), inner conductor: solid, attenuation: 4.1 / 6.9 / 10.4 dB at 0.9 / 2.4 / 5.8 GHz, connection: 2x N (male), cable length: 30 m (100 ft.)

Antenna cable - RAD-CAB-LMR600-125 - 2885210



Antenna extension cable, length: 125 ft

Wireless module - RAD-ISM-900-RX - 2867047

Accessories

Antenna cable - RAD-CAB-PFP600-150 - 2885184



Antenna cable, outside diameter: 15 mm (0.6 in.), inner conductor: solid, attenuation: 3.9 / 6.8 / 10.4 dB at 0.9 / 2.4 / 5.8 GHz, connection: 2x N (male), cable length: 45 m (150 ft.)

Antenna cable - RAD-CAB-PFP900-200 - 2885197



Antenna extension cable, length: 200 ft

Phoenix Contact 2020 © - all rights reserved
<http://www.phoenixcontact.com>

PHOENIX CONTACT GmbH & Co. KG
Flachsmarktstr. 8
32825 Blomberg
Germany
Tel. +49 5235 300
Fax +49 5235 3 41200
<http://www.phoenixcontact.com>

X-ON Electronics

Largest Supplier of Electrical and Electronic Components

Click to view similar products for [Sub-GHz Modules](#) category:

Click to view products by [Phoenix Contact](#) manufacturer:

Other Similar products are found below :

[HMC-C024](#) [nRF24L01P-MODULE-SMA](#) [CMD-KEY2-418-CRE](#) [V640-A90](#) [SM1231E868](#) [HMC-C582](#) [SM-MN-00-HF-RC](#) [HMC-C031](#)
[LoRa Node Kit\(US\)](#) [Sierra HL7588 4G KIT\(US\)](#) [WISE-4610-S672NA](#) [EC21AUFA-MINIPCIE](#) [EC21EUGA-MINIPCIE](#) [CS-EASYSWITCH-](#)
[25](#) [EC21JFB-MINIPCIE](#) [DL-RFM95-915M](#) [DL-RFM96-433M](#) [Ra-07H-V1.1](#) [Ra-07](#) [Ra-01SH](#) [Ra-01S-T](#) [Ra-01SH-T](#) [CMD-HHCP-418-MD](#)
[CMD-HHCP-433-MD](#) [CMD-HHLR-418-MD](#) [2095000000200](#) [XB9X-DMRS-031](#) [20911051101](#) [COM-13909](#) [HMC-C033](#) [COM-13910](#)
[WRL-14498](#) [SX1276RF1KAS](#) [HMC-C011](#) [HMC-C014](#) [HMC-C050](#) [HMC-C001](#) [HMC-C006](#) [HMC-C029](#) [HMC-C030](#) [HMC-C021](#) [HMC-](#)
[C041](#) [HMC-C042](#) [HMC-C048](#) [HMC-C051](#) [HMC-C071](#) [HMC-C072](#) [A2500R24C00GM](#) [702-W](#) [HUM-900-PRC](#)