

Wireless module - RAD-ISM-900-TX - 2867076


Please be informed that the data shown in this PDF Document is generated from our Online Catalog. Please find the complete data in the user's documentation. Our General Terms of Use for Downloads are valid (<http://phoenixcontact.com/download>)



Transmitter as replacement device, for unidirectional, wireless 900 MHz transmission system (America)



Key Commercial Data

Packing unit	1 pc
GTIN	 4 046356 046770
GTIN	4046356046770

Technical data

Note

Trade restriction	The products are offered exclusively for export outside the EU and the European Economic Area.
-------------------	--

Dimensions

Width	17.5 mm
Height	99 mm
Depth	114.5 mm

Ambient conditions

Ambient temperature (operation)	-40 °C ... 70 °C
Ambient temperature (storage/transport)	-40 °C ... 85 °C
Degree of protection	IP20

Wireless set

Set contents	Transmitter
--------------	-------------

Wireless path

Direction	Uni-directional
Frequency range	902 MHz ... 928 MHz
Number of channel groups	4
Number of channels per group	63
Transmission power	1 W

Wireless module - RAD-ISM-900-TX - 2867076

Technical data

Analog input (sender)

Description of the input	Current input (analog input)
Current input signal	4 mA ... 20 mA
Input resistance current input	< 150 Ω

Digital input (sender)

Input voltage range	5 V AC/DC ... 30 V AC/DC
Switching threshold "0" signal, voltage	max. 1.5 V DC
Switching threshold "1" signal voltage	min. 5 V DC

Supply (sender)

Supply voltage	24 V DC
Supply voltage range	12 V DC ... 30 V DC
Typical current consumption	75 mA
Max. current consumption	350 mA

General

Mounting position	any
Assembly instructions	NS 35 in acc. with EN 60715
Housing material	Polyamide PA non-reinforced

Connection data

Conductor cross section solid min.	0.2 mm ²
Conductor cross section solid max.	2.5 mm ²
Conductor cross section flexible min.	0.2 mm ²
Conductor cross section flexible max.	2.5 mm ²
Conductor cross section AWG min.	24
Conductor cross section AWG max.	14
Connection method	Screw connection
Stripping length	8 mm
Screw thread	M3

Standards and Regulations

Electromagnetic compatibility	FCC Part 15.247 / ISC RSS 210
Conformance	FCC Directive, Part 15.247
	ISC Directive RSS 210
UL, USA/Canada	Class I, Div. 2, Groups A, B, C, D

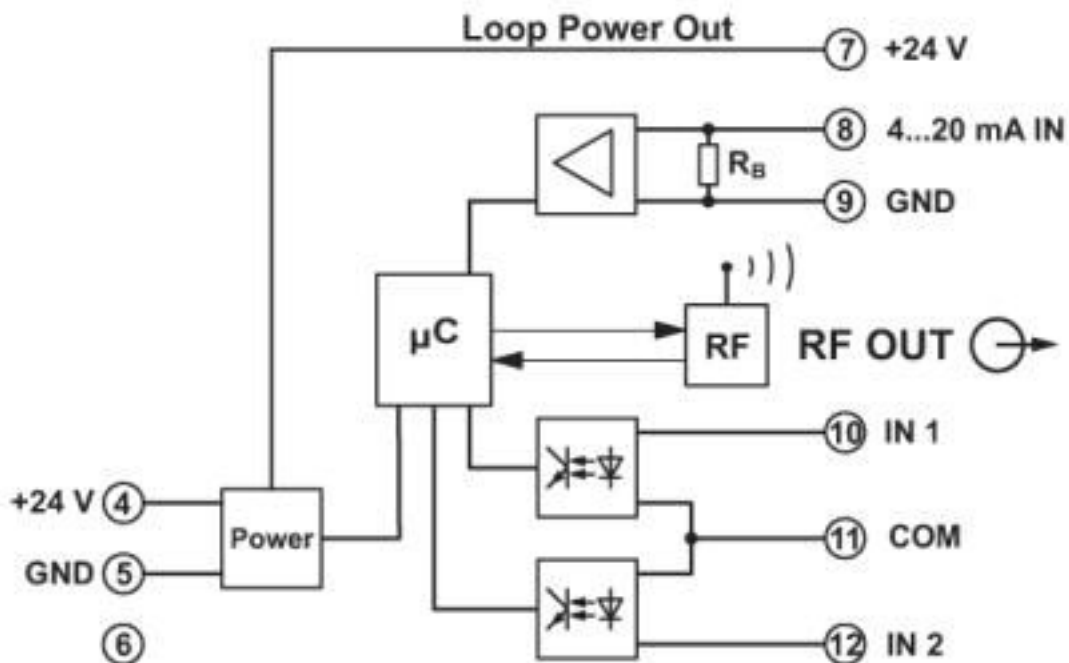
Environmental Product Compliance

China RoHS	Environmentally Friendly Use Period = 50 years
	For details about hazardous substances go to tab "Downloads", Category "Manufacturer's declaration"

Drawings

Wireless module - RAD-ISM-900-TX - 2867076

Block diagram



Transmitter module

Classifications

eCl@ss

eCl@ss 4.0	27250312
eCl@ss 4.1	27250312
eCl@ss 5.0	27242208
eCl@ss 5.1	27242200
eCl@ss 6.0	19179200
eCl@ss 7.0	19179290
eCl@ss 8.0	19179290
eCl@ss 9.0	19179290

ETIM

ETIM 2.0	EC000310
ETIM 3.0	EC000310
ETIM 4.0	EC000310
ETIM 5.0	EC000310
ETIM 6.0	EC000310
ETIM 7.0	EC000310

UNSPSC

UNSPSC 6.01	30211506
-------------	----------

Wireless module - RAD-ISM-900-TX - 2867076

Classifications

UNSPSC

UNSPSC 7.0901	43223108
UNSPSC 11	39121008
UNSPSC 12.01	43223108
UNSPSC 13.2	43222604
UNSPSC 19.0	43222604

Accessories

Accessories

Adapter cable

Antenna cable - RAD-CON-MCX-N-SB - 2867717

Antenna cable, outside diameter: 2.5 mm (0.1 in.), inner conductor: stranded, attenuation: 0.9 dB at 900 MHz, connection: MCX (male) -> N (female), cable length: 1.2 m (4 ft.)



Antenna cable - RAD-CON-SMA-N-SS - 2867403

Antenna cable, outside diameter: 2.5 mm (0.1 in.), inner conductor: stranded, attenuation: 0.9 dB at 900 MHz, connection: SMA (male) -> N (male), cable length: 1.2 m (4 ft.)



Antenna cable - RAD-CON-MCX-MCX-SS - 2867607

Antenna cable, outside diameter: 2.8 mm (0.11 in.), inner conductor: stranded, attenuation: 0.9 dB at 900 MHz, connection: MCX (male) -> MCX (male), cable length: 0.3 m (1 ft.)



Antenna cable - RAD-CON-MCX90-N-SS - 2885207

Antenna cable, outside diameter: 2.5 mm (0.1 in.), inner conductor: stranded, attenuation: 0.9 dB at 900 MHz, connection: 90° MCX (male) -> N (male), cable length: 1.2 m (4 ft.)



Wireless module - RAD-ISM-900-TX - 2867076

Accessories

Antenna cable - RAD-CON-MCX-RPSMA-EX - 2885621



Antenna barrier, installation: Class I, Div. 1, Grps. A, B, C, D; Class II, Div. 1, Grps. F, G, frequency range: 0.3G Hz ... 6 GHz, connection: RSMA (male) -> MCX (male), incl. 0.7 m / 2.3 ft. connection cable, UL HazLoc approval

Antenna

Antenna - RAD-ISM-900-ANT-OMNI-5 - 2867199



Omnidirectional antenna, 900 MHz, gain: 7 dBi, polarization: linear, opening angle: h/v 360°/30°, degree of protection: IP65, connection: N (female), incl. mounting bracket and mast clips

Antenna - RAD-ISM-900-ANT-OMNI-FG-3-N - 2867791



Omnidirectional antenna, 900 MHz, gain: 5 dBi, polarization: linear, opening angle: h/v 360°/28°, degree of protection: IP65, connection: N (female), incl. mounting bracket and mast clips

Antenna - RAD-ISM-900-ANT-YAGI-3-N - 2867801



Directional antenna, 868 MHz / 900 MHz, gain: 5 dBi, polarization: linear, opening angle: h/v 168°/78°, degree of protection: IP65, connection: N (female), incl. mounting bracket and mast clips

Antenna - RAD-ISM-900-ANT-YAGI-6.5-N - 2867814



Directional antenna, 868 MHz / 900 MHz, gain: 8.5 dBi, polarization: linear, opening angle: h/v 100°/62°, degree of protection: IP65, connection: N (female), incl. mounting bracket and mast clips

Wireless module - RAD-ISM-900-TX - 2867076

Accessories

Antenna - RAD-ISM-900-ANT-YAGI-6.5-25-AS - 2867827



Panel antenna with surge protection, adapter cable MCX->N and assembly material, IP65 protection, gain 8.5 dBi, cable length 7.6 m, connection N (female)

Antenna - RAD-ISM-900-ANT-YAGI-6.5-50-AS - 2867830



Panel antenna with surge protection, adapter cable MCX->N and assembly material, IP65 protection, gain 8.5 dBi, cable length 15.2 m, connection N (female)

Antenna - RAD-ISM-900-ANT-OMNI-0-6 - 2867160



Omnidirectional antenna, 900 MHz, gain: 2 dBi, polarization: linear, opening angle: h 360°, degree of protection: IP65, connection: MCX (male), incl. 2 m / 6.5 ft. connecting cable and mounting bracket for wall mounting

Antenna - RAD-ISM-900-ANT-OMNI-FG-6-N - 2885579



Omnidirectional antenna, 900 MHz, gain: 8 dBi, polarization: linear, opening angle: h/v 360°/15°, degree of protection: IP65, connection: N (female), incl. mounting bracket and mast clips

Coaxial adapter

Antenna splitter - RAD-ISM-900-ANT-4 - 2867050



4-way distributor for antenna signals (antenna splitter), MCX connection (female)

Coaxial cable

Wireless module - RAD-ISM-900-TX - 2867076

Accessories

Antenna cable - RAD-CAB-RG58-10 - 2867364



Antenna extension cable, length: 10 ft

Antenna cable - RAD-CAB-RG58-20 - 2867212



Antenna extension cable, length: 20 ft

Antenna cable - RAD-CAB-RG213-25 - 2867597



Antenna extension cable, length: 25 ft

Antenna cable - RAD-CAB-RG213-40 - 2867377



Antenna cable, outside diameter: 10 mm (0.4 in.), inner conductor: solid, attenuation: 2.9 dB at 900 MHz, connection: 2 x N (male), cable length: 12 m (40 ft.)

Antenna cable - RAD-CAB-RG213-50 - 2867225



Antenna cable, outside diameter: 10 mm (0.4 in.), inner conductor: solid, attenuation: 3.5 dB at 900 MHz, connection: 2 x N (male), cable length: 15 m (50 ft.)

Wireless module - RAD-ISM-900-TX - 2867076

Accessories

Antenna cable - RAD-CAB-PFP400-60 - 2867380



Antenna cable, outside diameter: 10 mm (0.4 in.), inner conductor: solid, attenuation: 2.5 / 4.2 / 6.3 dB at 0.9 / 2.4 / 5.8 GHz, connection: 2x N (male), cable length: 18 m (60 ft.)

Antenna cable - RAD-CAB-PFP400-80 - 2867393



Antenna cable, outside diameter: 10 mm (0.4 in.), inner conductor: solid, attenuation: 3.3 / 5.6 / 8.4 dB at 0.9 / 2.4 / 5.8 GHz, connection: 2x N (male), cable length: 24 m (80 ft.)

Antenna cable - RAD-CAB-PFP400-100 - 2867238



Antenna cable, outside diameter: 10 mm (0.4 in.), inner conductor: solid, attenuation: 4.1 / 6.9 / 10.4 dB at 0.9 / 2.4 / 5.8 GHz, connection: 2x N (male), cable length: 30 m (100 ft.)

Antenna cable - RAD-CAB-LMR600-125 - 2885210



Antenna extension cable, length: 125 ft

Antenna cable - RAD-CAB-PFP600-150 - 2885184



Antenna cable, outside diameter: 15 mm (0.6 in.), inner conductor: solid, attenuation: 3.9 / 6.8 / 10.4 dB at 0.9 / 2.4 / 5.8 GHz, connection: 2x N (male), cable length: 45 m (150 ft.)

Wireless module - RAD-ISM-900-TX - 2867076

Accessories

Antenna cable - RAD-CAB-PFP900-200 - 2885197



Antenna extension cable, length: 200 ft

Phoenix Contact 2020 © - all rights reserved
<http://www.phoenixcontact.com>

PHOENIX CONTACT GmbH & Co. KG
Flachsmarktstr. 8
32825 Blomberg
Germany
Tel. +49 5235 300
Fax +49 5235 3 41200
<http://www.phoenixcontact.com>

X-ON Electronics

Largest Supplier of Electrical and Electronic Components

Click to view similar products for [Sub-GHz Modules](#) category:

Click to view products by [Phoenix Contact](#) manufacturer:

Other Similar products are found below :

[HMC-C024](#) [nRF24L01P-MODULE-SMA](#) [CMD-KEY2-418-CRE](#) [V640-A90](#) [SM1231E868](#) [HMC-C582](#) [SM-MN-00-HF-RC](#) [HMC-C031](#)
[LoRa Node Kit\(US\)](#) [Sierra HL7588 4G KIT\(US\)](#) [WISE-4610-S672NA](#) [EC21AUFA-MINIPCIE](#) [EC21EUGA-MINIPCIE](#) [CS-EASYSWITCH-](#)
[25](#) [EC21JFB-MINIPCIE](#) [DL-RFM95-915M](#) [DL-RFM96-433M](#) [Ra-07H-V1.1](#) [Ra-07](#) [Ra-01SH](#) [Ra-01S-T](#) [Ra-01SH-T](#) [CMD-HHCP-418-MD](#)
[CMD-HHCP-433-MD](#) [CMD-HHLR-418-MD](#) [2095000000200](#) [XB9X-DMRS-031](#) [20911051101](#) [COM-13909](#) [HMC-C033](#) [COM-13910](#)
[WRL-14498](#) [SX1276RF1KAS](#) [HMC-C011](#) [HMC-C014](#) [HMC-C050](#) [HMC-C001](#) [HMC-C006](#) [HMC-C029](#) [HMC-C030](#) [HMC-C021](#) [HMC-](#)
[C041](#) [HMC-C042](#) [HMC-C048](#) [HMC-C051](#) [HMC-C071](#) [HMC-C072](#) [A2500R24C00GM](#) [702-W](#) [HUM-900-PRC](#)