

Adapter - RAD-ADP-N/F-N/F - 2867843

Please be informed that the data shown in this PDF Document is generated from our Online Catalog. Please find the complete data in the user's documentation. Our General Terms of Use for Downloads are valid (<http://phoenixcontact.com/download>)

Antenna adapter for control cabinet feed-through, frequency range: 0.3 GHz ... 6 GHz, degree of protection: IP65, connection: 2 x N (female)



Your advantages

- As an adapter between devices and cables
- Adapter for installing the antenna inside buildings



Key Commercial Data

| | |
|--------------|---------------|
| Packing unit | 1 pc |
| GTIN | |
| GTIN | 4046356046923 |

Technical data

Dimensions

| | |
|----------|---------|
| Width | 38 mm |
| Diameter | 16.5 mm |

Ambient conditions

| | |
|---|-------------------|
| Ambient temperature (operation) | -65 °C ... 165 °C |
| Ambient temperature (storage/transport) | -65 °C ... 165 °C |
| Degree of protection | IP20 |

General

| | |
|------------------|--------------|
| Housing material | Brass (CuZn) |
|------------------|--------------|

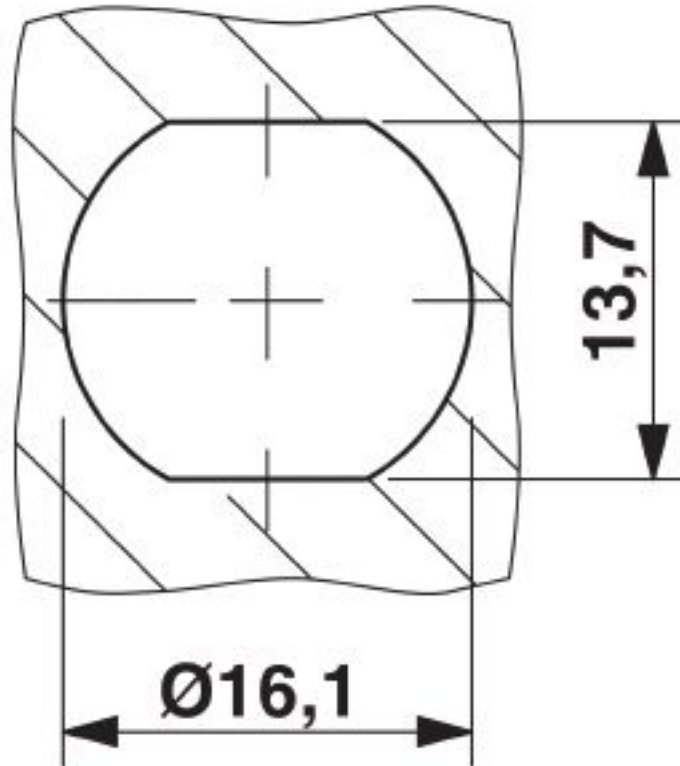
Environmental Product Compliance

| | |
|------------|---|
| REACH SVHC | Lead 7439-92-1 |
| China RoHS | Environmentally Friendly Use Period = 25; |
| | For details about hazardous substances go to tab "Downloads", Category "Manufacturer's declaration" |

Adapter - RAD-ADP-N/F-N/F - 2867843

Drawings

Dimensional drawing



Drill holes

Classifications

eCl@ss

| | |
|---------------|----------|
| eCl@ss 10.0.1 | 19070417 |
| eCl@ss 4.0 | 27060800 |
| eCl@ss 4.1 | 27060800 |
| eCl@ss 5.0 | 27061800 |
| eCl@ss 5.1 | 27061800 |
| eCl@ss 6.0 | 27061800 |
| eCl@ss 7.0 | 27440310 |
| eCl@ss 8.0 | 27440310 |
| eCl@ss 9.0 | 19070417 |

Adapter - RAD-ADP-N/F-N/F - 2867843

Classifications

ETIM

| | |
|----------|----------|
| ETIM 2.0 | EC000019 |
| ETIM 3.0 | EC000019 |
| ETIM 4.0 | EC000019 |
| ETIM 5.0 | EC001135 |
| ETIM 6.0 | EC001135 |
| ETIM 7.0 | EC001135 |

UNSPSC

| | |
|---------------|----------|
| UNSPSC 6.01 | 26121608 |
| UNSPSC 7.0901 | 26121608 |
| UNSPSC 11 | 26121608 |
| UNSPSC 12.01 | 26121608 |
| UNSPSC 13.2 | 39121414 |
| UNSPSC 19.0 | 39121414 |

Phoenix Contact 2020 © - all rights reserved
<http://www.phoenixcontact.com>

PHOENIX CONTACT GmbH & Co. KG
Flachsmarktstr. 8
32825 Blomberg
Germany
Tel. +49 5235 300
Fax +49 5235 3 41200
<http://www.phoenixcontact.com>

X-ON Electronics

Largest Supplier of Electrical and Electronic Components

Click to view similar products for [RF Adapters - In Series](#) category:

Click to view products by [Phoenix Contact](#) manufacturer:

Other Similar products are found below :

[5916-1103-603](#) [5918-1103-000](#) [5919-1503-000](#) [651A505](#) [9030-9523-502](#) [PN2C](#) [A0407000](#) [R114703000W](#) [R125704000](#) [R125771001](#)
[R141710000W](#) [R141723161](#) [R141730000](#) [R143730700](#) [R143770000](#) [R161703000W](#) [R161753000W](#) [R161791530W](#) [R201705000](#)
[R222705200](#) [R222M40010W](#) [R316754000](#) [R405006000](#) [R443162000](#) [AD78TL](#) [HRM-513S](#) [1996352-2](#) [2157155-1](#) [252169-75](#) [AD158](#)
[2101130-1](#) [252186](#) [R114704000W](#) [R114720000W](#) [R125705001](#) [R125705701](#) [R125771000](#) [R125771001W](#) [R127704001](#) [R127.870.001](#)
[R127872001](#) [R141717000](#) [R142710000](#) [R142723000](#) [R143703000](#) [R143704000](#) [R143705700](#) [R161715000W](#) [R161771000W](#) [R176754000](#)