

## Modular power terminal - IB IL EX-IS PWR IN-PAC - 2869910

Please be informed that the data shown in this PDF Document is generated from our Online Catalog. Please find the complete data in the user's documentation. Our General Terms of Use for Downloads are valid (<http://phoenixcontact.com/download>)




Inline power terminal for power supply to intrinsically safe I/O terminals

### Your advantages

- ✓ Diagnostic LEDs (standard load, high load, overload) provide direct feedback regarding the capacity
- ✓ Electronic overload protection
- ✓ 1000 mA for logic supply circuit (UL)
- ✓ 1000 mA for I/O supply (UEx)
- ✓ The design requires a gap of 50 mm between intrinsically safe and non-intrinsically safe connections
- ✓ Electrical isolation between Inline I/O station and intrinsically safe I/O termination devices



### Key Commercial Data

Packing unit	1 pc
GTIN	 4 046356 470193
GTIN	4046356470193

### Technical data

#### Note

Utilization restriction	EMC: class A product, see manufacturer's declaration in the download area
-------------------------	---

#### Dimensions

Width	48.8 mm
Height	119.9 mm
Depth	70.4 mm

#### Ambient conditions

Ambient temperature (operation)	-25 °C ... 60 °C
Ambient temperature (storage/transport)	-25 °C ... 70 °C
Permissible humidity (operation)	10 % ... 95 % (according to DIN EN 61131-2)

# Modular power terminal - IB IL EX-IS PWR IN-PAC - 2869910

## Technical data

### Ambient conditions

Degree of protection	IP20
	IP20

### General

Mounting type	DIN rail
Color	blue
Net weight	292 g

### Interfaces

Designation	Inline local bus
Connection method	Inline data jumper
Transmission speed	500 kbps

### Inline potentials

Supply voltage	24 V DC (via Inline connector)
Supply voltage range	19.2 V DC ... 30 V DC (including all tolerances, including ripple)
Current consumption	max. 2 A
	max. 1.5 A
Designation	Communications power (U <sub>L</sub> )
Supply voltage	5 V DC (via voltage jumper)
Power supply unit	1 A (max.)
Supply voltage	28 V DC ±5 %
Power supply unit	max. 1 A
Power consumption	max. 8 W

### Standards and Regulations

ATEX	# II 3G Ex ec IIC T4 Gc Sira 10ATEX2130X
IECEX	Ex ec IIC T4 Gc IECEX SIR 10.0085X
UL, USA/Canada	Class I, Div. 2, Groups A, B, C, D, T4
Protection class	III (VDE 0106, IEC 60536)

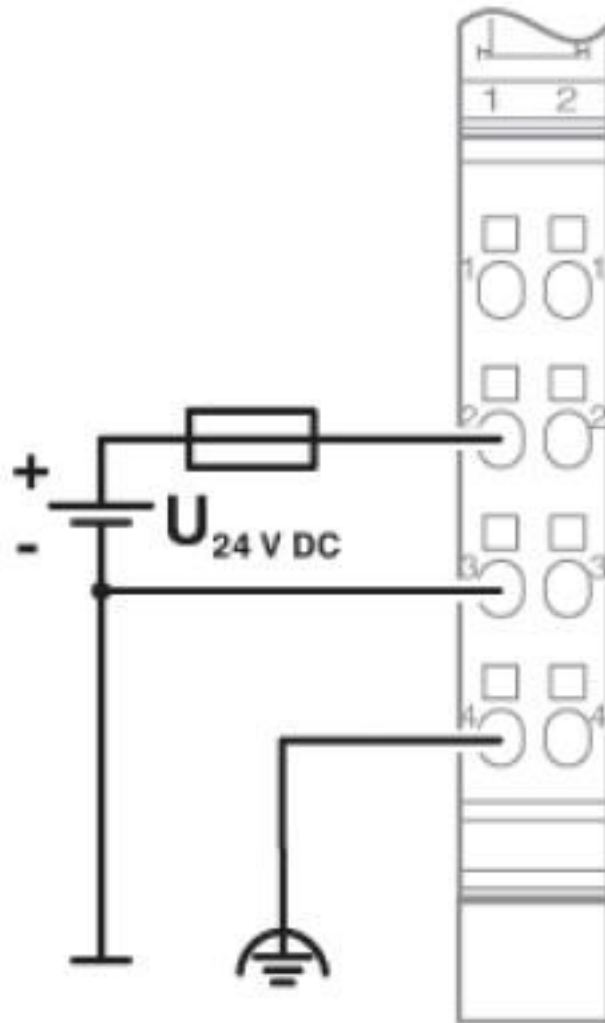
### Environmental Product Compliance

China RoHS	Environmentally friendly use period: unlimited = EFUP-e
	No hazardous substances above threshold values

## Drawings

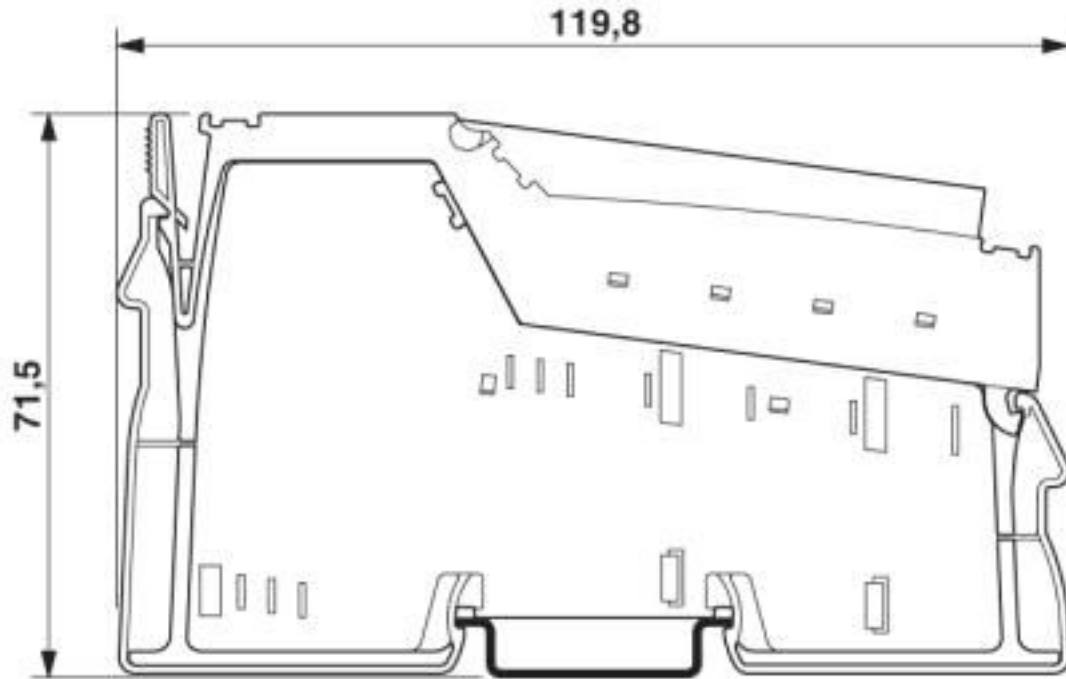
# Modular power terminal - IB IL EX-IS PWR IN-PAC - 2869910

Connection diagram



# Modular power terminal - IB IL EX-IS PWR IN-PAC - 2869910

Dimensional drawing



## Classifications

### eCl@ss

eCl@ss 10.0.1	27242610
eCl@ss 4.0	27240400
eCl@ss 4.1	27240400
eCl@ss 5.0	27242200
eCl@ss 5.1	27242600
eCl@ss 6.0	27242600
eCl@ss 7.0	27242610
eCl@ss 8.0	27242610
eCl@ss 9.0	27242610

### ETIM

ETIM 3.0	EC001600
ETIM 4.0	EC001600
ETIM 5.0	EC001600
ETIM 6.0	EC001600
ETIM 7.0	EC001600

### UNSPSC

UNSPSC 6.01	43172015
UNSPSC 7.0901	43201404
UNSPSC 11	43172015

## Modular power terminal - IB IL EX-IS PWR IN-PAC - 2869910

### Classifications

#### UNSPSC

UNSPSC 12.01	43201404
UNSPSC 13.2	32151602
UNSPSC 18.0	32151602
UNSPSC 19.0	32151602
UNSPSC 20.0	32151602
UNSPSC 21.0	32151602

### Accessories

#### Accessories

#### Distance terminal

#### Inline terminal - IB IL EX PWR-ISO-PAC - 2869909



Inline terminal for use as an isolator between non-intrinsically safe inline expansion I/O and intrinsically safe inline power supply.

---

Phoenix Contact 2020 © - all rights reserved  
<http://www.phoenixcontact.com>

PHOENIX CONTACT GmbH & Co. KG  
Flachmarktstr. 8  
32825 Blomberg  
Germany  
Tel. +49 5235 300  
Fax +49 5235 3 41200  
<http://www.phoenixcontact.com>

## X-ON Electronics

Largest Supplier of Electrical and Electronic Components

*Click to view similar products for [Controllers](#) category:*

*Click to view products by [Phoenix Contact](#) manufacturer:*

Other Similar products are found below :

[61FGPN8DAC120](#) [CV500SLK21](#) [70177-1011](#) [F03-03 HAS C](#) [F03-31](#) [81550401](#) [FT1A-C12RA-W](#) [88981106](#) [H2CAC24A](#) [H2CRSAC110B](#)  
[R88A-CRGB003CR-E](#) [R88ARR080100S](#) [R88A-TK01K](#) [DCN1-1](#) [DRT2ID08C](#) [DTB4896VRE](#) [DTB9696CVE](#) [DTB9696LVE](#) [E53-AZ01](#)  
[E53E01](#) [E53E8C](#) [E5C4Q40J999FAC120](#) [E5CWLQ1TCAC100240](#) [E5GNQ03PFLKACDC24](#) [B300LKL21](#) [NSCXDC1V3](#) [NSH5-232CW-3M](#)  
[NT20SST122BV1](#) [NV-CN001](#) [OAS-160-N](#) [C40PEDRA](#) [K31S6](#) [K33-L1B](#) [K3MA-F](#) [100-240VAC](#) [K3TX-AD31A](#) [89750101](#) [L595020](#)  
[SRM1-C02](#) [SRS2-1](#) [FT1A-C14SA-S](#) [G32X-V2K](#) [26546803](#) [26546805](#) [PWRA440A](#) [CPM1AETL03CH](#) [CV500SLK11](#) [3G2A5BI081](#)  
[3G2A5IA122](#) [3G2A5LK010E](#) [3G2A5OA223](#)