

Inline terminal - IB IL 24 DI 32/HD-NPN-PAC - 2878243

Please be informed that the data shown in this PDF Document is generated from our Online Catalog. Please find the complete data in the user's documentation. Our General Terms of Use for Downloads are valid (<http://phoenixcontact.com/download>)



Inline, Digital input terminal, Digital inputs: 32 (NPN), 24 V DC, connection method: 1-wire, transmission speed in the local bus: 500 kbps, degree of protection: IP20, including Inline connectors and marking fields

The figure shows the product version IB IL 24 DI 32/HD-PAC

Product Description

The terminal is designed for use within an Inline station. It is used to acquire digital signals.

Your advantages

- 32 digital inputs, NPN-wired
- Connection of sensors in single-wire technology



-MUE

Key Commercial Data

| | |
|--------------|---------------|
| Packing unit | 1 pc |
| GTIN | |
| GTIN | 4046356048507 |

Technical data

Note

| | |
|-------------------------|---|
| Utilization restriction | EMC: class A product, see manufacturer's declaration in the download area |
|-------------------------|---|

Dimensions

| | |
|--------------------|--------------------|
| Width | 48.8 mm |
| Height | 119.8 mm |
| Depth | 71.5 mm |
| Note on dimensions | Housing dimensions |

Ambient conditions

| | |
|---|------------------|
| Ambient temperature (operation) | -25 °C ... 55 °C |
| Ambient temperature (storage/transport) | -25 °C ... 85 °C |

Inline terminal - IB IL 24 DI 32/HD-NPN-PAC - 2878243

Technical data

Ambient conditions

| | |
|--|---|
| Permissible humidity (operation) | 10 % ... 95 % (non-condensing) |
| Permissible humidity (storage/transport) | 10 % ... 95 % (non-condensing) |
| Air pressure (operation) | 70 kPa ... 106 kPa (up to 3000 m above sea level) |
| Air pressure (storage/transport) | 70 kPa ... 106 kPa (up to 3000 m above sea level) |
| Degree of protection | IP20 |

General

| | |
|-------------------------------|-------------------------------------|
| Mounting type | DIN rail |
| Color | green |
| Net weight | 191.31 g |
| Note on weight specifications | with connectors |
| Operating mode | Process data operation with 2 words |

Interfaces

| | |
|--------------------|--------------------|
| Designation | Inline local bus |
| No. of channels | 2 |
| Connection method | Inline data jumper |
| Transmission speed | 500 kbps |

Inline potentials

| | |
|----------------------|--|
| Designation | Communications power (U_L) |
| Supply voltage | 7.5 V DC (via voltage jumper) |
| Current consumption | max. 90 mA |
| Power consumption | max. 0.675 W |
| Designation | Segment circuit supply (U_S) |
| Supply voltage | 24 V DC (via voltage jumper) |
| Supply voltage range | 19.2 V DC ... 30 V DC (including all tolerances, including ripple) |
| Current consumption | max. 100 mA |
| Power consumption | max. 2.16 W (Module, complete) |

Digital inputs

| | |
|-----------------------------------|------------------------|
| Input name | Digital inputs |
| Description of the input | EN 61131-2 type 1 |
| Connection method | Spring-cage connection |
| Connection technology | 1-wire |
| Number of inputs | 32 (NPN) |
| Typical response time | < 1 ms |
| Nominal input voltage U_{IN} | 24 V DC |
| Nominal input current at U_{IN} | typ. 2.6 mA |
| Input voltage | 24 V DC |
| Input voltage range "0" signal | -30 V DC ... 5 V DC |
| Input voltage range "1" signal | 15 V DC ... 30 V DC |
| Typical input current per channel | 2.6 mA |

Inline terminal - IB IL 24 DI 32/HD-NPN-PAC - 2878243

Technical data

Digital inputs

| | |
|------------------------------------|------|
| Delay at signal change from 0 to 1 | 2 ms |
| Delay at signal change from 1 to 0 | 4 ms |

Electrical isolation

| | |
|--------------|---|
| Test section | 7.5 V supply (bus logics)/24 V supply (I/O) 500 V AC 50 Hz 1 min. |
| | 24 V supply (I/O)/functional ground 500 V AC 50 Hz 1 min. |
| | 7.5 V supply (bus logic)/functional ground 500 V AC 50 Hz 1 min. |

Standards and Regulations

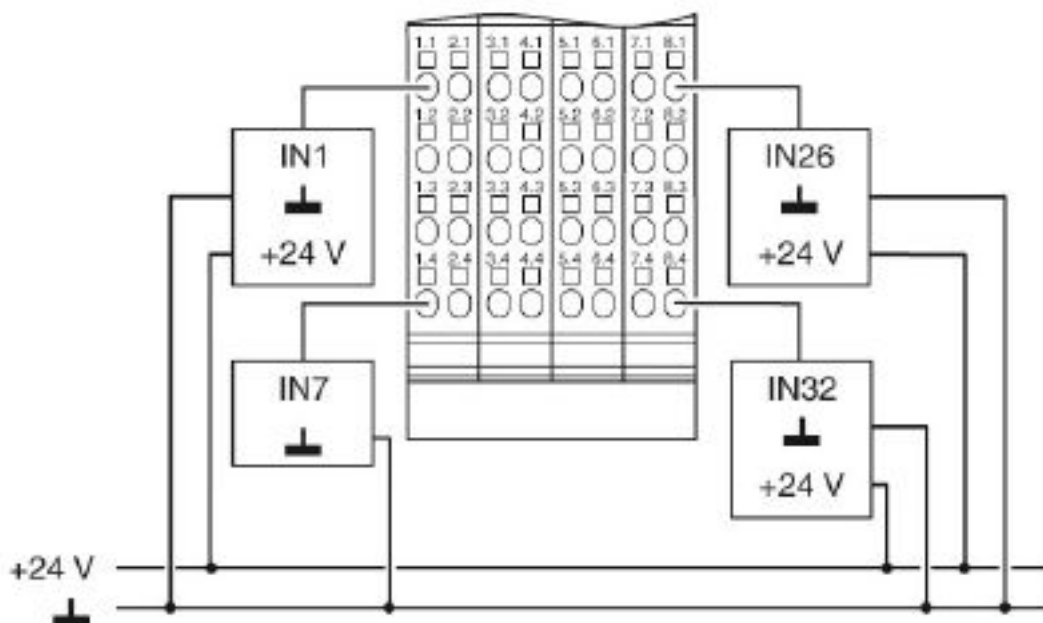
| | |
|----------------------------------|---------------------------------------|
| Connection in acc. with standard | CUL |
| Protection class | III (IEC 61140, EN 61140, VDE 0140-1) |

Environmental Product Compliance

| | |
|------------|---|
| China RoHS | Environmentally Friendly Use Period = 50 years |
| | For details about hazardous substances go to tab "Downloads", Category "Manufacturer's declaration" |

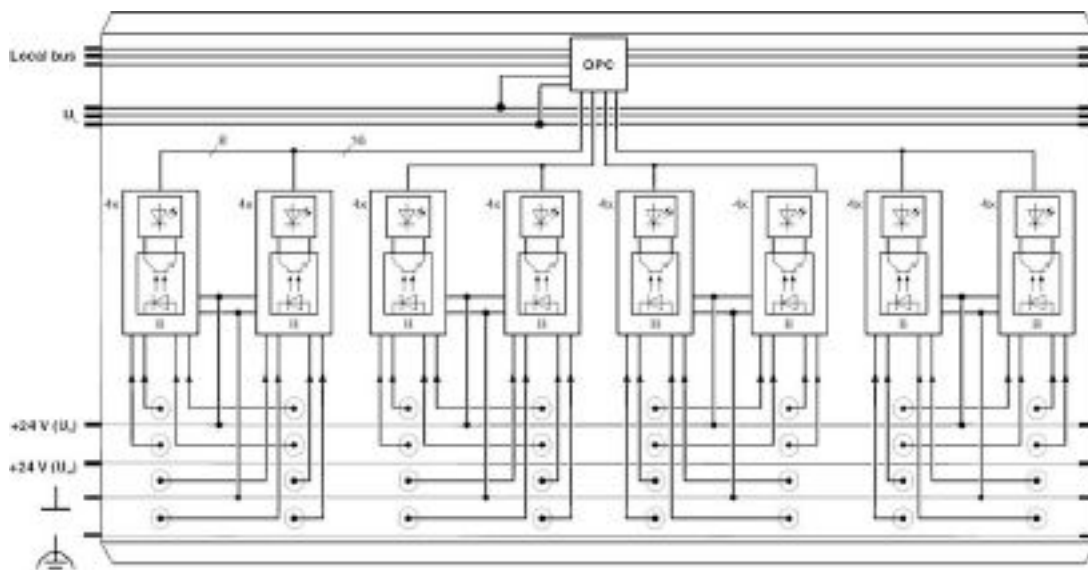
Drawings

Connection diagram

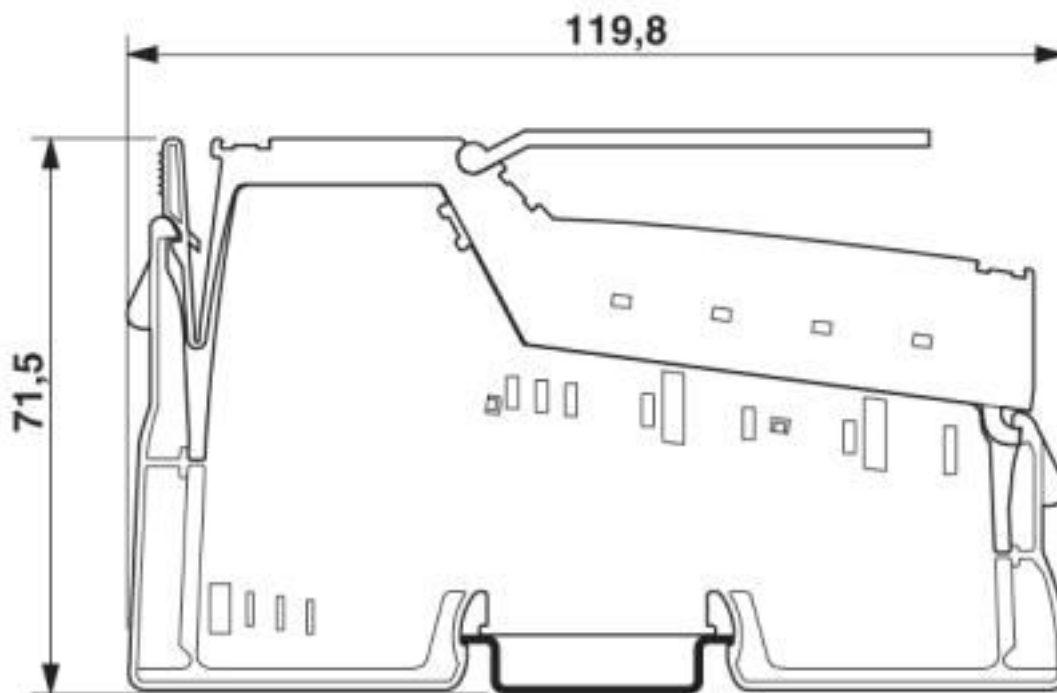


Inline terminal - IB IL 24 DI 32/HD-NPN-PAC - 2878243

Block diagram



Dimensional drawing



Classifications

eCl@ss

| | |
|---------------|----------|
| eCl@ss 10.0.1 | 27242604 |
| eCl@ss 4.0 | 27250300 |
| eCl@ss 4.1 | 27250300 |

Inline terminal - IB IL 24 DI 32/HD-NPN-PAC - 2878243

Classifications

eCl@ss

| | |
|------------|----------|
| eCl@ss 5.0 | 27250300 |
| eCl@ss 5.1 | 27242600 |
| eCl@ss 6.0 | 27242600 |
| eCl@ss 7.0 | 27242604 |
| eCl@ss 8.0 | 27242604 |
| eCl@ss 9.0 | 27242604 |

ETIM

| | |
|----------|----------|
| ETIM 2.0 | EC001430 |
| ETIM 3.0 | EC001599 |
| ETIM 4.0 | EC001599 |
| ETIM 5.0 | EC001599 |
| ETIM 6.0 | EC001599 |
| ETIM 7.0 | EC001599 |

UNSPSC

| | |
|---------------|----------|
| UNSPSC 6.01 | 43172015 |
| UNSPSC 7.0901 | 43201404 |
| UNSPSC 11 | 43172015 |
| UNSPSC 12.01 | 43201404 |
| UNSPSC 13.2 | 32151602 |
| UNSPSC 18.0 | 32151602 |
| UNSPSC 19.0 | 32151602 |
| UNSPSC 20.0 | 32151602 |
| UNSPSC 21.0 | 32151602 |

Approvals

Approvals

Approvals

DNV GL / BV / LR / ABS / UL Recognized / cUL Recognized / EAC / cULus Recognized

Ex Approvals

Approval details

| | | | |
|--------|--|---|------------|
| DNV GL | | https://approvalfinder.dnvgl.com/ | TAA00002CU |
|--------|--|---|------------|

Inline terminal - IB IL 24 DI 32/HD-NPN-PAC - 2878243

Approvals

| | | | |
|----|--|---|-------------|
| BV | | http://www.veristar.com/portal/veristarinfo/generalinfo/approved/approvedProducts/equipmentAndMaterials | 20989/B2_BV |
|----|--|---|-------------|

| | | | |
|----|--|---|----------|
| LR | | http://www.lr.org/en | 08/20033 |
|----|--|---|----------|

| | | | |
|-----|--|---|------------------|
| ABS | | http://www.eagle.org/eagleExternalPortalWEB/ | 17-HG1621871-PDA |
|-----|--|---|------------------|

| | | | |
|---------------|--|---|---------------|
| UL Recognized | | http://database.ul.com/cgi-bin/XYV/template/LISEXT/1FRAME/index.htm | FILE E 140324 |
|---------------|--|---|---------------|

| | | | |
|----------------|--|---|---------------|
| cUL Recognized | | http://database.ul.com/cgi-bin/XYV/template/LISEXT/1FRAME/index.htm | FILE E 140324 |
|----------------|--|---|---------------|

| | | | |
|-----|--|--|---------------|
| EAC | | | EAC-Zulassung |
|-----|--|--|---------------|

| | | | |
|------------------|--|--|--|
| cULus Recognized | | | |
|------------------|--|--|--|

Accessories

Accessories

Connector set

Connector set - IB IL DI/DO 8-PLSET - 2860950



Connector set

I/O component

Inline terminal - IB IL 24 DI 32/HD-NPN-PAC - 2878243

Accessories

Inline terminal - IB IL PD 24V-PAC - 2862987



Inline terminal for power distribution (24 V), complete with accessories, (connector and labeling field) 24 V supply voltage is fed out from the segment circuit (US)

Inline terminal - IB IL PD GND-PAC - 2862990



Inline terminal for power distribution (GND), complete with accessories, (connector and labeling field) connections for GND

Labeling panel

Labeling field - IB IL FIELD 2 - 2727501

Labeling field, width: 12.2 mm



Labeling field - IB IL FIELD 8 - 2727515

Labeling field, width: 48.8 mm



Terminal marking

Insert strip - ESL 62X10 - 0809492

Insert strip, Sheet, white, unlabeled, can be labeled with: Office printing systems: Laser printer, mounting type: insert, lettering field size: 62 x 10 mm, Number of individual labels: 72



Inline terminal - IB IL 24 DI 32/HD-NPN-PAC - 2878243

Accessories

Insert strip - ESL 62X46 - 0809502

Insert strip, Sheet, white, unlabeled, can be labeled with: Office printing systems: Laser printer, mounting type: insert, lettering field size: 62 x 46 mm, Number of individual labels: 120



Phoenix Contact 2020 © - all rights reserved
<http://www.phoenixcontact.com>

PHOENIX CONTACT GmbH & Co. KG
Flachsmarktstr. 8
32825 Blomberg
Germany
Tel. +49 5235 300
Fax +49 5235 3 41200
<http://www.phoenixcontact.com>

X-ON Electronics

Largest Supplier of Electrical and Electronic Components

Click to view similar products for [Controllers](#) category:

Click to view products by [Phoenix Contact](#) manufacturer:

Other Similar products are found below :

[61FGPN8DAC120](#) [CV500SLK21](#) [70177-1011](#) [F03-03 HAS C](#) [F03-31](#) [81550401](#) [FT1A-C12RA-W](#) [88981106](#) [H2CAC24A](#) [H2CRSAC110B](#)
[R88A-CRGB003CR-E](#) [R88ARR080100S](#) [R88A-TK01K](#) [DCN1-1](#) [DRT2ID08C](#) [DTB4896VRE](#) [DTB9696CVE](#) [DTB9696LVE](#) [E53-AZ01](#)
[E53E01](#) [E53E8C](#) [E5C4Q40J999FAC120](#) [E5CWLQ1TCAC100240](#) [E5GNQ03PFLKACDC24](#) [B300LKL21](#) [NSCXDC1V3](#) [NSH5-232CW-3M](#)
[NT20SST122BV1](#) [NV-CN001](#) [OAS-160-N](#) [C40PEDRA](#) [K31S6](#) [K33-L1B](#) [K3MA-F](#) [100-240VAC](#) [K3TX-AD31A](#) [89750101](#) [L595020](#)
[SRM1-C02](#) [SRS2-1](#) [FT1A-C14SA-S](#) [G32X-V2K](#) [26546803](#) [26546805](#) [PWRA440A](#) [CPM1AETL03CH](#) [CV500SLK11](#) [3G2A5BI081](#)
[3G2A5IA122](#) [3G2A5LK010E](#) [3G2A5OA223](#)