

Surge protection device - D-UFB-PB - 2880642

Please be informed that the data shown in this PDF Document is generated from our Online Catalog. Please find the complete data in the user's documentation. Our General Terms of Use for Downloads are valid (<http://phoenixcontact.com/download>)

Fine surge protection in a 9-pos. D-SUB plug for PROFIBUS-DP applications with a transmission speed of up to 12 Mbps.




Your advantages

- Integrated termination resistor
- Data transmission speed up to 12 Mbps
- Direct use at the interface



Key Commercial Data

Packing unit	1 pc
GTIN	 4 046356 048989
GTIN	4046356048989

Technical data

Dimensions

Height	58 mm
Width	44.5 mm
Depth	16.6 mm

Ambient conditions

Ambient temperature (operation)	-20 °C ... 75 °C
Ambient temperature (storage/transport)	-20 °C ... 75 °C
Degree of protection	IP40

General

Housing material	ABS, metal-plated
Color	silver
Standards for clearances and creepage distances	IEC 60664-1
	DIN VDE 0110-1

Surge protection device - D-UFB-PB - 2880642

Technical data

General

Overvoltage category	II
Degree of pollution	2
Mounting type	Direct assembly on the device interface
Type	Connecting plug
Number of positions	4
Direction of action	Line-Line & Line-Earth Ground

Protective circuit

IEC test classification	C1
	C3
	B2
VDE requirement class	C1
	C3
	B2
Maximum continuous voltage U_c	5.2 V DC
Rated current	250 mA (25 °C)
Operating effective current I_c at U_c	$\leq 100 \mu\text{A}$
Residual current I_{PE}	$\leq 100 \mu\text{A}$
Nominal discharge current I_n (8/20) μs (line-line)	350 A
Nominal discharge current I_n (8/20) μs (line-earth)	350 A
Total discharge current I_{total} (8/20) μs	350 A
Max. discharge current I_{max} (8/20) μs maximum (line-line)	350 A
Max. discharge current I_{max} (8/20) μs maximum (line-earth)	350 A
Output voltage limitation at 1 kV/ μs (line-line) spike	≤ 20 V
Output voltage limitation at 1 kV/ μs (line-earth) spike	≤ 20 V
Output voltage limitation at 1 kV/ μs (line-line) static	≤ 14 V
Output voltage limitation at 1 kV/ μs (line-earth) static	≤ 14 V
Output voltage limitation (10/700) μs (line-line)	≤ 15 V ($U_0=4$ kV)
Output voltage limitation (10/700) μs (line-earth)	≤ 15 V ($U_0=4$ kV)
Residual voltage at I_n (line-line)	≤ 25 V
Residual voltage at I_n (line-earth)	≤ 25 V
Voltage protection level U_p (line-line)	≤ 25 V (C1 - 500 V / 250 A)
	≤ 15 V (C3 - 25 A)
	≤ 15 V (B2 - 4 kV / 100 A)
Voltage protection level U_p (line-earth)	≤ 25 V (C1 - 500 V / 250 A)
	≤ 15 V (C3 - 25 A)
	≤ 15 V (B2 - 4 kV / 100 A)
Response time t_A (line-line)	≤ 500 ns
Response time t_A (line-earth)	≤ 500 ns
Cut-off frequency f_g (3 dB), sym. in 100 Ohm system	typ. 70 MHz

Surge protection device - D-UFB-PB - 2880642

Technical data

Protective circuit

Inductivity in series	0.11 µH
Surge protection fault message	none
Impulse durability (line-line)	C1 - 500 V / 250 A C3 - 2 kV / 25 A
Impulse durability (line-earth)	C1 - 500 V / 250 A C3 - 2 kV/25 A

Connection data

Connection method	Screw connection & D-SUB-9
Connection method IN	Screw terminal blocks
Connection method OUT	D-SUB-9 connector
Connection technology	2-wire (shielded)
Screw thread	M2
Tightening torque	0.25 Nm
Stripping length	5 mm
Conductor cross section flexible	0.14 mm² ... 1.5 mm²
Conductor cross section solid	0.14 mm² ... 1.5 mm²
Conductor cross section AWG	26 ... 16

Connection, equipotential bonding

Connection method	PVC Litz wire, 1.0 mm², 0.5 m length
-------------------	--------------------------------------

Standards and Regulations

Standards/regulations	IEC 61643-21
	DIN EN 61643-21
Standards/specifications	IEC 61643-21

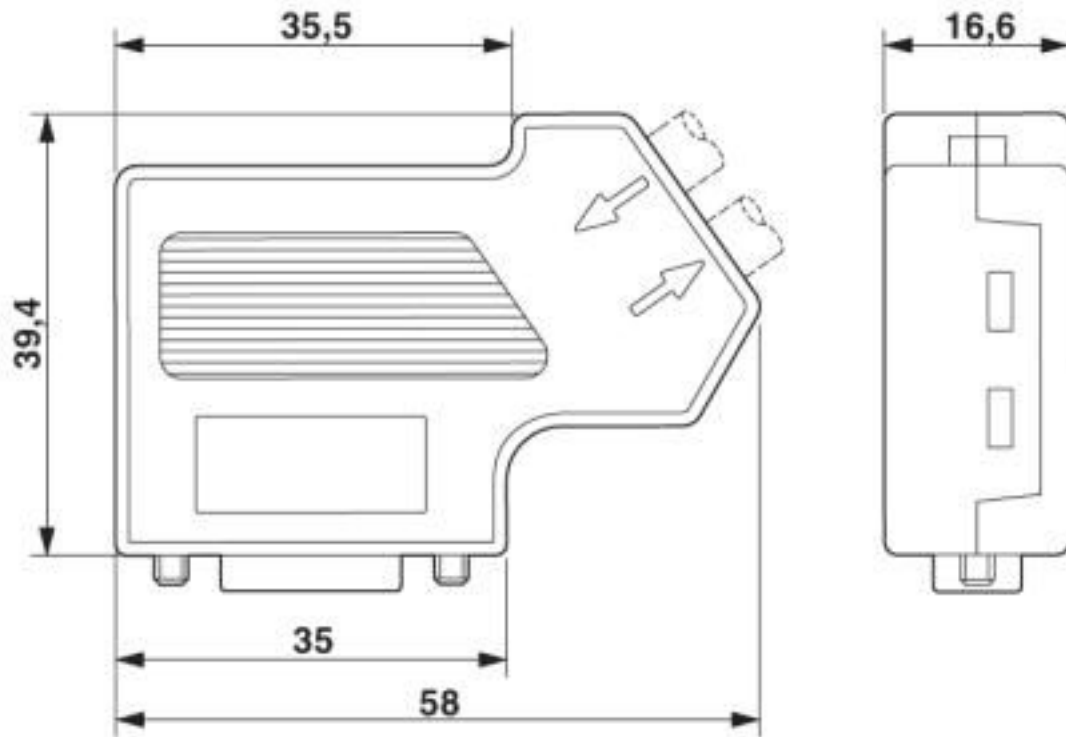
Environmental Product Compliance

REACH SVHC	Lead 7439-92-1
China RoHS	Environmentally Friendly Use Period = 50 years
	For details about hazardous substances go to tab "Downloads", Category "Manufacturer's declaration"

Drawings

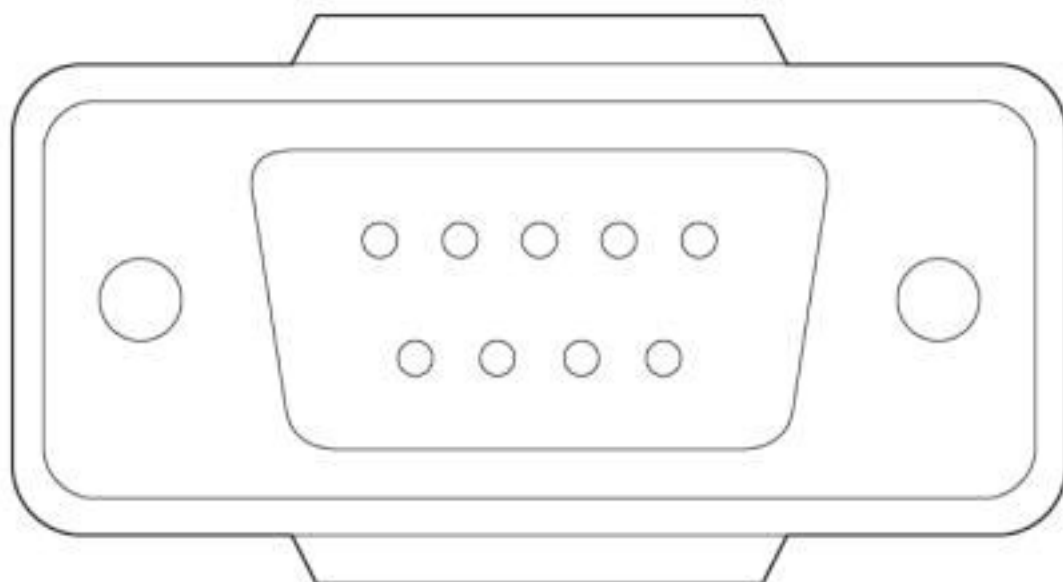
Surge protection device - D-UFB-PB - 2880642

Dimensional drawing



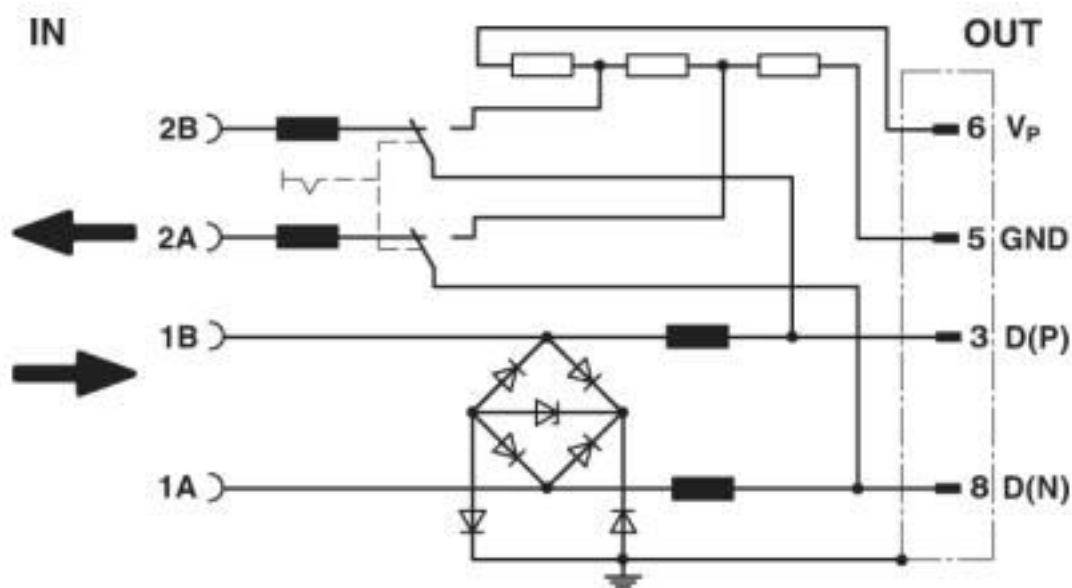
Dimensional drawing: D-UFB-PB

Product drawing



Surge protection device - D-UFB-PB - 2880642

Circuit diagram



Classifications

eCl@ss

eCl@ss 10.0.1	27130807
eCl@ss 4.0	27130800
eCl@ss 4.1	27130800
eCl@ss 5.0	27130800
eCl@ss 5.1	27130800
eCl@ss 6.0	27130800
eCl@ss 7.0	27130807
eCl@ss 8.0	27130807
eCl@ss 9.0	27130807

ETIM

ETIM 2.0	EC000943
ETIM 3.0	EC000943
ETIM 4.0	EC000943
ETIM 5.0	EC000943
ETIM 6.0	EC000943
ETIM 7.0	EC000943

UNSPSC

UNSPSC 6.01	30212010
UNSPSC 7.0901	39121610
UNSPSC 11	39121610
UNSPSC 12.01	39121610

Surge protection device - D-UFB-PB - 2880642

Classifications

UNSPSC

UNSPSC 13.2	39121620
UNSPSC 18.0	39121620
UNSPSC 19.0	39121620
UNSPSC 20.0	39121620
UNSPSC 21.0	39121620

Approvals

Approvals

Approvals

UL Listed / EAC

Ex Approvals

Approval details

UL Listed		http://database.ul.com/cgi-bin/XYV/template/LISEXT/1FRAME/index.htm	FILE E 138168
-----------	--	-------------------------------------------------------------------------------------------------------------------------------------------------------	---------------

EAC		RU C- DE.*09.B.00169
-----	--	-------------------------

Phoenix Contact 2020 © - all rights reserved
<http://www.phoenixcontact.com>

PHOENIX CONTACT GmbH & Co. KG
Flachsmarktstr. 8
32825 Blomberg
Germany
Tel. +49 5235 300
Fax +49 5235 3 41200
<http://www.phoenixcontact.com>

X-ON Electronics

Largest Supplier of Electrical and Electronic Components

Click to view similar products for [Surge Suppressors](#) category:

Click to view products by [Phoenix Contact](#) manufacturer:

Other Similar products are found below :

[GUS1](#) [GUS12](#) [BSPM1A600D600LVR](#) [2800521](#) [29-2053](#) [GUS11](#) [GUS2](#) [GUS3](#) [GUS4](#) [30460](#) [SRA64C060X](#) [PC642C015](#) [1810-15-A3](#)
[2713175](#) [4B06B-EC1-150LF](#) [SRA6LC](#) [BPMA75D100LV](#) [CX06M](#) [CCTV1](#) [GUS13](#) [GUS14](#) [GUS5](#) [GUS6](#) [VAL-MS 320/3+0-FM](#) [VAL-US-](#)
[120/40/1+1-FM](#) [VAL-US-120/65/1+1-FM](#) [VAL-US-480D/30/3+0-FM](#) [VAL-US-120/40/1+0-FM](#) [STCHSP121BT1RU](#) [LP-BFDN-CW](#) [LP-](#)
[STRL-NFF](#) [LP-STRL-DFE](#) [GUS22](#) [0804111](#) [5053609](#) [5053201](#) [SPD2-150-1P0](#) [SPD2-550-1P0](#) [6720005416](#) [6720005417](#) [1-2191595-2](#)
[STC-CAT6-P0E-I](#) [SPD2-350-1P0](#) [FLT-CP-350-ST](#) [TTC-6P-3-HF-F-M-12DC-UT-I](#) [SMTPA200](#) [2800989](#) [2906776](#) [2906810](#) [2906847](#)