

# Type 3 surge protection device - MNT-NET B/F - 2882226

Please be informed that the data shown in this PDF Document is generated from our Online Catalog. Please find the complete data in the user's documentation. Our General Terms of Use for Downloads are valid (<http://phoenixcontact.com/download>)



Attachment plug with surge protection for mains sockets, optical power and error display.



## Key Commercial Data

Packing unit	1 pc
GTIN	
GTIN	4046356073530

## Technical data

### Dimensions

Height	76 mm
Width	56 mm
Depth	79 mm

### Ambient conditions

Degree of protection	IP20 (Child-proofing)
Ambient temperature (operation)	-25 °C ... 75 °C
Ambient temperature (storage/transport)	-25 °C ... 75 °C
Altitude	≤ 2000 m (amsl (above mean sea level))
Permissible humidity (operation)	5 % ... 95 %

### General

EN type	T3
Number of ports	One
Mode of protection	L-N
	L-PE
	N-PE
Mounting type	Plugging into the mains socket
Color	jet black RAL 9005

# Type 3 surge protection device - MNT-NET B/F - 2882226

## Technical data

### General

Housing material	PA 6
Degree of pollution	2
Flammability rating according to UL 94	V-0
Type	Attachment plug
Surge protection fault message	optical
For country-specific use in	B, F, CZ, SVK, PL

### Protective circuit

Nominal voltage $U_N$	230/400 V AC (TN)
	230/400 V AC (TT - only in use with RCD)
Nominal frequency $f_N$	50 Hz (60 Hz)
Maximum continuous operating voltage $U_C$ (L-N)	275 V AC
Maximum continuous operating voltage $U_C$ (L-PE)	360 V AC
Maximum continuous operating voltage $U_C$ (N-PE)	360 V AC
Rated load current $I_L$	16 A (30 °C)
Residual current $I_{PE}$	$\leq 5 \mu\text{A}$
Nominal discharge current $I_n$ (8/20) $\mu\text{s}$	3 kA (> 5x)
Standby power consumption $P_C$	$\leq 1 \text{ VA}$
Reference test voltage $U_{REF}$	255 V AC
Combination wave $U_{OC}$	4 kV
Voltage protection level $U_p$ (L-N)	$\leq 1.2 \text{ kV}$
Voltage protection level $U_p$ (L-PE)	$\leq 1.5 \text{ kV}$
Voltage protection level $U_p$ (N-PE)	$\leq 1.5 \text{ kV}$
TOV behavior at $U_T$ (L-N)	335 V AC (5 s / withstand mode)
	440 V AC (120 min / safe failure mode)
TOV behavior at $U_T$ (L-PE)	440 V AC (5 s / withstand mode)
	440 V AC (120 min / withstand mode)
	1455 V AC (200 ms / safe failure mode)
TOV behavior at $U_T$ (N-PE)	1200 V AC (200 ms / safe failure mode)
Response time $t_A$ (L-N)	$\leq 25 \text{ ns}$
Response time $t_A$ (L-PE)	$\leq 100 \text{ ns}$
Response time $t_A$ (N-PE)	$\leq 100 \text{ ns}$
Max. required back-up fuse	16 A (gG / B / C)
Short-circuit current rating $I_{SCCR}$	1.5 kA AC
Max. backup fuse with branch wiring	16 A (gG / B / C)

### Connection data

Connection method	Grounding plug/socket
-------------------	-----------------------

### Standards and Regulations

Standards/specifications	IEC 61643-11 2011
--------------------------	-------------------

# Type 3 surge protection device - MNT-NET B/F - 2882226

## Technical data

### Standards and Regulations

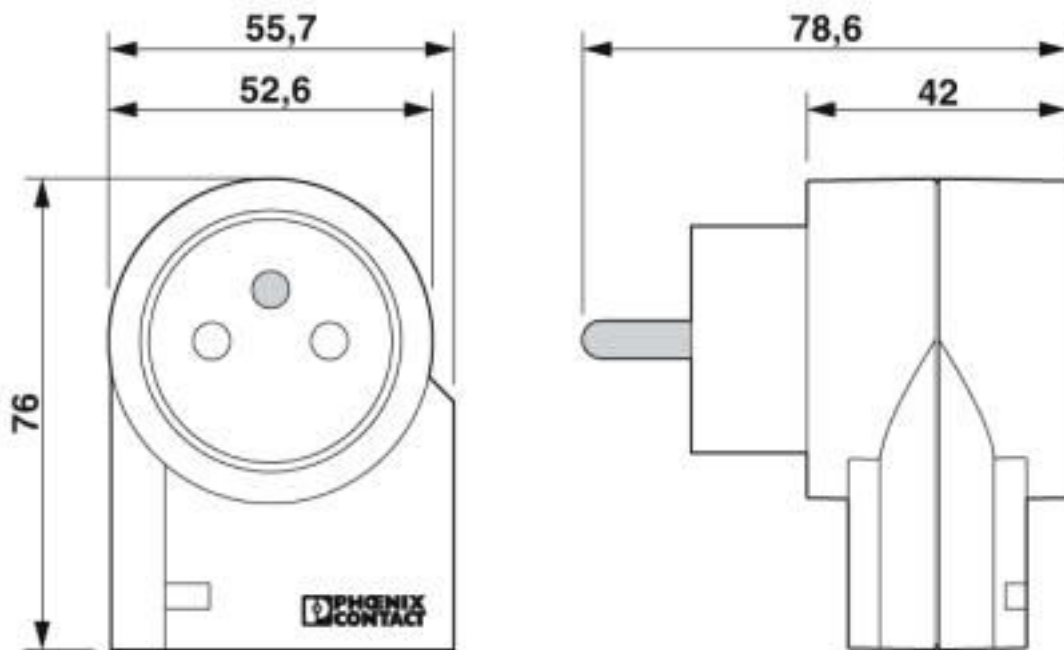
	EN 61643-11 2012
--	------------------

### Environmental Product Compliance

REACH SVHC	Lead 7439-92-1
------------	----------------

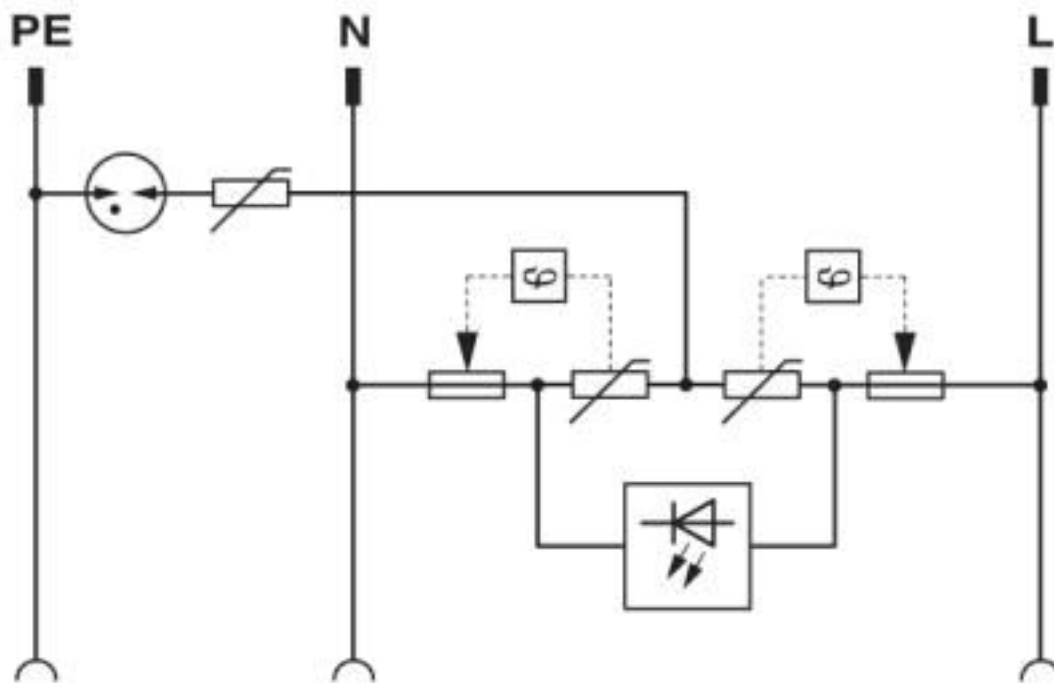
## Drawings

Dimensional drawing



# Type 3 surge protection device - MNT-NET B/F - 2882226

Circuit diagram



## Classifications

eCl@ss

eCl@ss 10.0.1	27130806
eCl@ss 4.0	27130800
eCl@ss 4.1	27130800
eCl@ss 5.0	27130800
eCl@ss 5.1	27130800
eCl@ss 6.0	27130800
eCl@ss 7.0	27130806
eCl@ss 8.0	27130806
eCl@ss 9.0	27130806

ETIM

ETIM 2.0	EC000942
ETIM 3.0	EC000942
ETIM 4.0	EC000942
ETIM 5.0	EC000942
ETIM 6.0	EC000942
ETIM 7.0	EC000942

UNSPSC

UNSPSC 6.01	30212010
UNSPSC 7.0901	39121610

# Type 3 surge protection device - MNT-NET B/F - 2882226

## Classifications

### UNSPSC

UNSPSC 11	39121610
UNSPSC 12.01	39121610
UNSPSC 13.2	39121620
UNSPSC 18.0	39121620
UNSPSC 19.0	39121620
UNSPSC 20.0	39121620
UNSPSC 21.0	39121620

## Approvals

### Approvals

---

#### Approvals

EAC

---

#### Ex Approvals

---

### Approval details

EAC		RU C- DE.*09.B.00169
-----	-------------------------------------------------------------------------------------	-------------------------

---

Phoenix Contact 2020 © - all rights reserved  
<http://www.phoenixcontact.com>

PHOENIX CONTACT GmbH & Co. KG  
Flachsmarktstr. 8  
32825 Blomberg  
Germany  
Tel. +49 5235 300  
Fax +49 5235 3 41200  
<http://www.phoenixcontact.com>

## X-ON Electronics

Largest Supplier of Electrical and Electronic Components

*Click to view similar products for [Surge Suppressors](#) category:*

*Click to view products by [Phoenix Contact](#) manufacturer:*

Other Similar products are found below :

[GUS1](#) [GUS12](#) [BSPM1A600D600LVR](#) [2800521](#) [29-2053](#) [GUS11](#) [GUS2](#) [GUS3](#) [GUS4](#) [30460](#) [SRA64C060X](#) [PC642C015](#) [1810-15-A3](#)  
[2713175](#) [4B06B-EC1-150LF](#) [SRA6LC](#) [BPMA75D100LV](#) [CX06M](#) [CCTV1](#) [GUS13](#) [GUS14](#) [GUS5](#) [GUS6](#) [VAL-MS 320/3+0-FM](#) [VAL-US-](#)  
[120/40/1+1-FM](#) [VAL-US-120/65/1+1-FM](#) [VAL-US-480D/30/3+0-FM](#) [VAL-US-120/40/1+0-FM](#) [STCHSP121BT1RU](#) [LP-BFDN-CW](#) [LP-](#)  
[STRL-NFF](#) [LP-STRL-DFE](#) [GUS22](#) [0804111](#) [5053609](#) [5053201](#) [SPD2-150-1P0](#) [SPD2-550-1P0](#) [6720005416](#) [6720005417](#) [1-2191595-2](#)  
[STC-CAT6-P0E-I](#) [SPD2-350-1P0](#) [FLT-CP-350-ST](#) [TTC-6P-3-HF-F-M-12DC-UT-I](#) [SMTPA200](#) [2800989](#) [2906776](#) [2906810](#) [2906847](#)