

Type 3 surge protection device - MNT-TV-SAT D - 2882284

Please be informed that the data shown in this PDF Document is generated from our Online Catalog. Please find the complete data in the user's documentation. Our General Terms of Use for Downloads are valid (<http://phoenixcontact.com/download>)


Socket attachment plug with surge protection for the power supply unit and signal connection for radio and television equipment (cable, terrestrial antenna, satellite system). Cable is provided.



Your advantages

- ✓ Easy operation
- ✓ On/off button in the socket strip
- ✓ Thermal monitoring of the protective circuit
- ✓ Connection to antenna junction box using separate cable
- ✓ Green LED - operating indicator for the power supply
- ✓ For termination devices

Key Commercial Data

Packing unit	1 pc
GTIN	 4 046356 073516
GTIN	4046356073516

Technical data

Dimensions

Height	107 mm
Width	63 mm
Depth	78 mm

Ambient conditions

Ambient temperature (operation)	-25 °C ... 75 °C
Ambient temperature (storage/transport)	-25 °C ... 75 °C

General

Housing material	PA 6
Flammability rating according to UL 94	V-0
Color	jet black RAL 9005

Type 3 surge protection device - MNT-TV-SAT D - 2882284

Technical data

General

For country-specific use in	D, A, NL, E, S, FIN, TR
Mounting type	Plugging into the mains socket
Type	Attachment plug
Direction of action	L/N-PE & Signal Line-Shield-Earth Ground

Protective circuit, power supply

EN type	T3
Nominal voltage U_N	230 V AC
Arrester rated voltage U_C (L-N)	275 V AC
Arrester rated voltage U_C (L-PE)	360 V AC
Arrester rated voltage U_C (N-PE)	360 V AC
Nominal frequency f_N	50 Hz (60 Hz)
Rated load current I_L	16 A (30 °C)
Standby power consumption P_C	≤ 1 VA
Residual current I_{PE}	≤ 5 μ A
Nominal discharge current I_n (8/20) μ s	3 kA (> 5x)
Combination wave U_{OC}	4 kV
Energy absorption symmetrical	140 J (L-N)
Energy absorption, asymmetrical	220 J (L(N)-PE)
Voltage protection level U_p (L-N)	≤ 1.2 kV
Voltage protection level U_p (L-PE)	≤ 1.5 kV
Voltage protection level U_p (N-PE)	≤ 1.5 kV
Response time (L-N)	≤ 25 ns
Response time (L-PE)	≤ 100 ns
Response time (N-PE)	≤ 100 ns
Surge protection fault message	optical
Max. required back-up fuse	16 A (gG / B / C)

Connection (protective circuit, power supply)

Connection method	Grounding plug/socket
Connection method IN	Grounding plug
Connection method OUT	Grounding socket

Protective circuit, information technology

Arrester rated voltage U_C	24 V DC
Rated current	1.5 A (25 °C)
Operating effective current I_C at U_C	≤ 1 μ A
Residual current I_{PE}	≤ 1 μ A
Insulation resistance R_{iso}	≥ 70 M Ω
	≥ 70 M Ω
Nominal discharge current I_n (8/20) μ s (line-earth)	2.5 kA

Type 3 surge protection device - MNT-TV-SAT D - 2882284

Technical data

Protective circuit, information technology

Nominal discharge current I_n (8/20) μ s (line-shield)	2.5 kA
Nominal discharge current I_n (8/20) μ s (shield-earth)	5 kA
Voltage protection level U_p (line-shield)	≤ 700 V (C2 - 2 kA)
Voltage protection level U_p (shield-earth)	≤ 1.2 kV (C2 - 5 kA)
Response time t_A (line-shield)	≤ 100 ns
Response time t_A (shield-earth)	≤ 100 ns
Input attenuation aE, asym.	typ. 0.3 dB (≤ 2.4 GHz /75 Ω)
Cut-off frequency f_g (3 dB), asym. (shield) in 75 Ohm system	typ. 2.5 GHz
Frequency range	0 Hz ... 2400 MHz
Capacity asymmetrical (shield)	typ. 10 pF
Nominal pulse current i_{an} (10/1000) μ s, asym. (shield)	120 A
Residual voltage at I_n (line-shield)	≤ 40 V
Residual voltage at I_n (shield-earth)	≤ 50 V
Impulse durability (line-shield)	C2 - 4 kV/2 kA C3 - 7.5 kV/100 A
Impulse durability (shield-earth)	C2 - 10 kV/5 kA C3 - 7.5 kV/100 A D1 - 1 kA
Alternating current carrying capacity (line-shield)	5 A - 1 s
Alternating current carrying capacity (shield-earth)	10 A - 1 s
Pulse reset time (line-shield)	≤ 4 s

Power supply, general

Connection method	F connector
Connection method IN	F connector, female
Connection method OUT	F connector, female

Connection, equipotential bonding, information technology

Connection method	Via protective contact plug
-------------------	-----------------------------

Standards (protective circuit, information technology)

IEC test classification	C2
	C3
	D1

Environmental Product Compliance

REACH SVHC	Lead 7439-92-1
------------	----------------

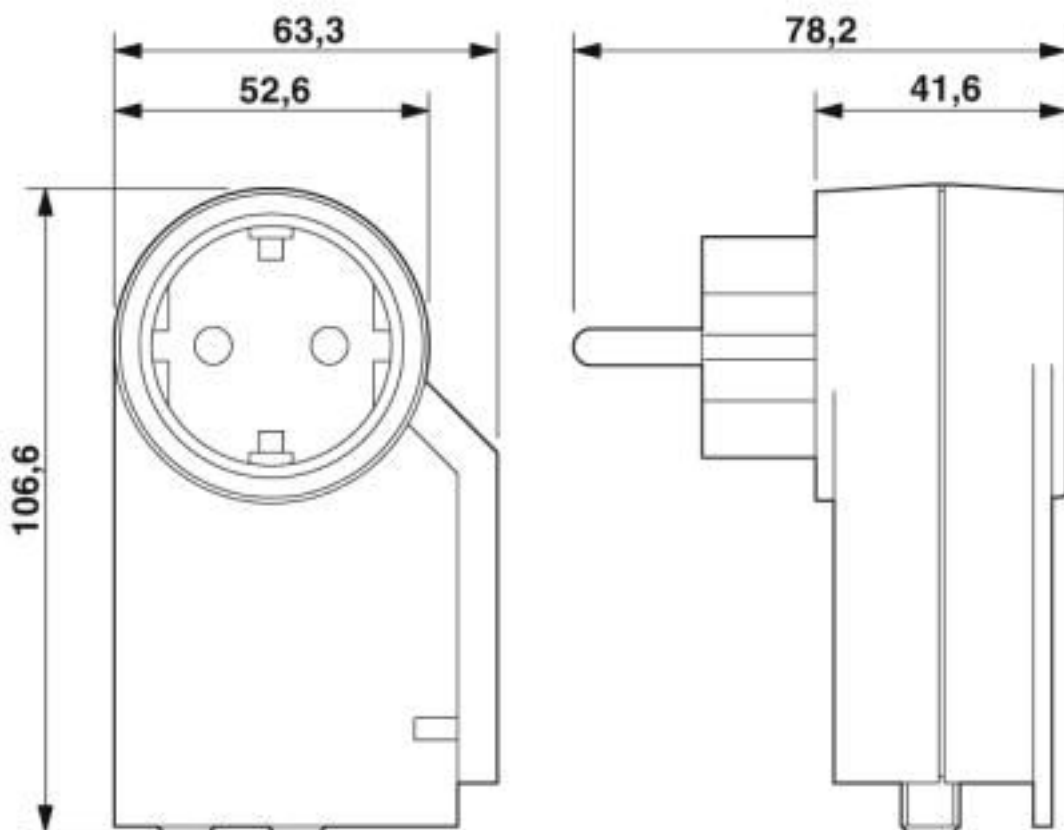
Drawings

Type 3 surge protection device - MNT-TV-SAT D - 2882284

Application drawing

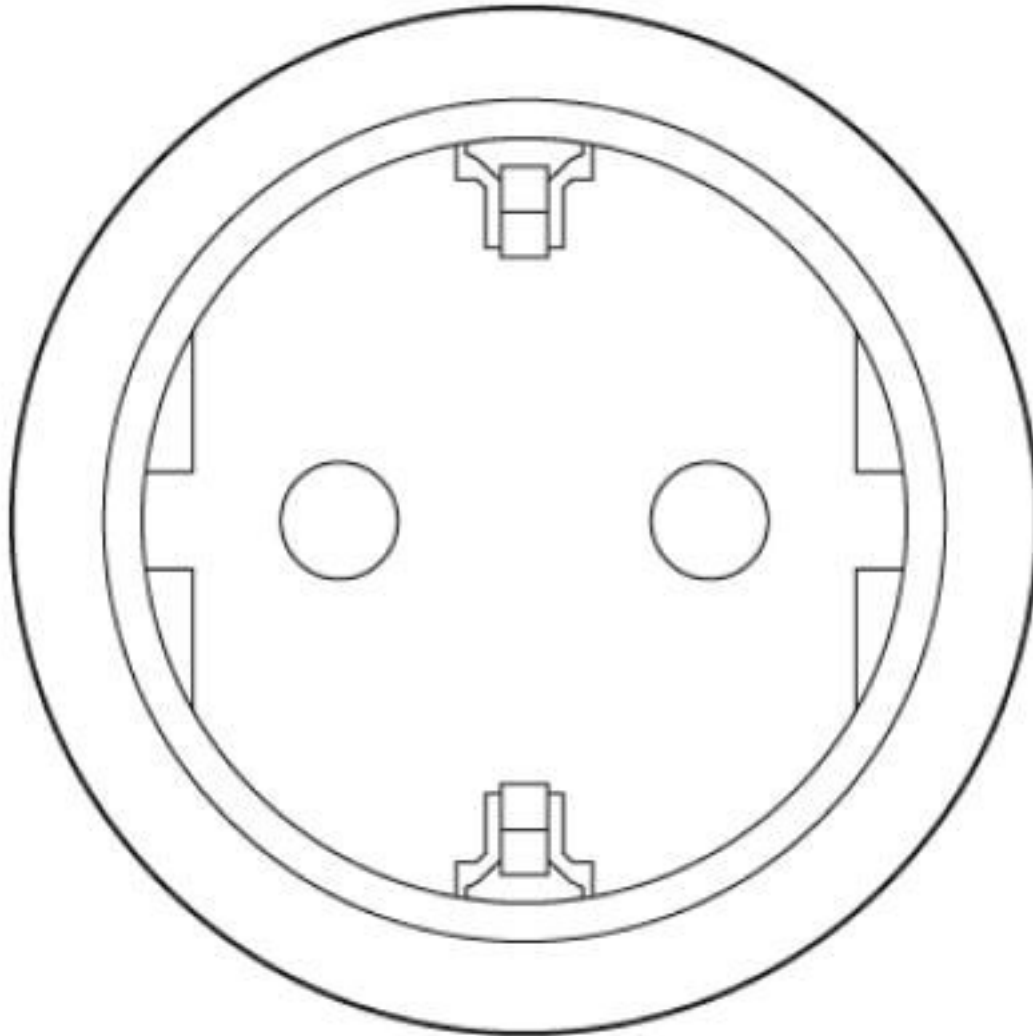


Dimensional drawing



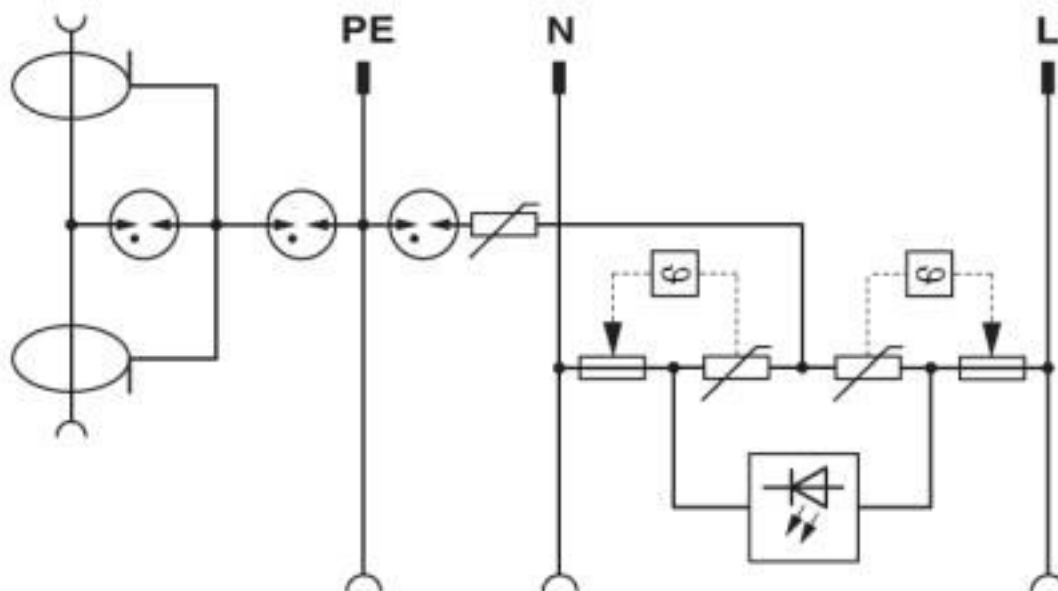
Type 3 surge protection device - MNT-TV-SAT D - 2882284

Product drawing



Type 3 surge protection device - MNT-TV-SAT D - 2882284

Circuit diagram



Classifications

eCl@ss

eCl@ss 10.0.1	27130810
eCl@ss 4.0	27130800
eCl@ss 4.1	27130800
eCl@ss 5.0	27130800
eCl@ss 5.1	27130800
eCl@ss 6.0	27130800
eCl@ss 7.0	27130810
eCl@ss 8.0	27130810
eCl@ss 9.0	27130810

ETIM

ETIM 2.0	EC001473
ETIM 3.0	EC001473
ETIM 4.0	EC001473
ETIM 5.0	EC001473
ETIM 6.0	EC001473
ETIM 7.0	EC001473

UNSPSC

UNSPSC 6.01	30212010
UNSPSC 7.0901	39121610
UNSPSC 11	39121610
UNSPSC 12.01	39121610

Type 3 surge protection device - MNT-TV-SAT D - 2882284

Classifications

UNSPSC

UNSPSC 13.2	39121620
UNSPSC 18.0	39121620
UNSPSC 19.0	39121620
UNSPSC 20.0	39121620
UNSPSC 21.0	39121620

Approvals

Approvals

Approvals

EAC

Ex Approvals

Approval details

EAC		RU C- DE.*09.B.00169
-----	---	-------------------------

Phoenix Contact 2020 © - all rights reserved
<http://www.phoenixcontact.com>

PHOENIX CONTACT GmbH & Co. KG
Flachsmarktstr. 8
32825 Blomberg
Germany
Tel. +49 5235 300
Fax +49 5235 3 41200
<http://www.phoenixcontact.com>

X-ON Electronics

Largest Supplier of Electrical and Electronic Components

Click to view similar products for [Surge Suppressors](#) category:

Click to view products by [Phoenix Contact](#) manufacturer:

Other Similar products are found below :

[GUS1](#) [GUS12](#) [BSPM1A600D600LVR](#) [2800521](#) [29-2053](#) [GUS11](#) [GUS2](#) [GUS3](#) [GUS4](#) [30460](#) [SRA64C060X](#) [PC642C015](#) [1810-15-A3](#)
[2713175](#) [4B06B-EC1-150LF](#) [SRA6LC](#) [BPMA75D100LV](#) [CX06M](#) [CCTV1](#) [GUS13](#) [GUS14](#) [GUS5](#) [GUS6](#) [VAL-MS 320/3+0-FM](#) [VAL-US-](#)
[120/40/1+1-FM](#) [VAL-US-120/65/1+1-FM](#) [VAL-US-480D/30/3+0-FM](#) [VAL-US-120/40/1+0-FM](#) [STCHSP121BT1RU](#) [LP-BFDN-CW](#) [LP-](#)
[STRL-NFF](#) [LP-STRL-DFE](#) [GUS22](#) [0804111](#) [5053609](#) [5053201](#) [SPD2-150-1P0](#) [SPD2-550-1P0](#) [6720005416](#) [6720005417](#) [1-2191595-2](#)
[STC-CAT6-P0E-I](#) [SPD2-350-1P0](#) [FLT-CP-350-ST](#) [TTC-6P-3-HF-F-M-12DC-UT-I](#) [SMTPA200](#) [2800989](#) [2906776](#) [2906810](#) [2906847](#)