

## Type 3 surge protection device - MNT-TV-SAT D/WH - 2882297

Please be informed that the data shown in this PDF Document is generated from our Online Catalog. Please find the complete data in the user's documentation. Our General Terms of Use for Downloads are valid (<http://phoenixcontact.com/download>)


Socket attachment plug with surge protection for the power supply unit and signal connection for radio and television equipment (cable, terrestrial antenna, satellite system). Cable is provided.



### Your advantages

- Easy operation
- On/off button in the socket strip
- Thermal monitoring of the protective circuit
- For termination devices
- Connection to antenna junction box using separate cable
- Green LED - operating indicator for the power supply

### Key Commercial Data

Packing unit	1 pc
GTIN	 4 046356 073509
GTIN	4046356073509

### Technical data

#### Dimensions

Height	107 mm
Width	63 mm
Depth	78 mm

#### Ambient conditions

Ambient temperature (operation)	-25 °C ... 75 °C
Ambient temperature (storage/transport)	-25 °C ... 75 °C

#### General

Housing material	PA 6
Flammability rating according to UL 94	V-0
Color	pure white RAL 9010

# Type 3 surge protection device - MNT-TV-SAT D/WH - 2882297

## Technical data

### General

For country-specific use in	D, A, NL, E, S, FIN, TR
Mounting type	Plugging into the mains socket
Type	Attachment plug
Direction of action	L/N-PE & Signal Line-Shield-Earth Ground

### Protective circuit, power supply

EN type	T3
Nominal voltage $U_N$	230 V AC
Arrester rated voltage $U_C$ (L-N)	275 V AC
Arrester rated voltage $U_C$ (L-PE)	360 V AC
Arrester rated voltage $U_C$ (N-PE)	360 V AC
Nominal frequency $f_N$	50 Hz (60 Hz)
Rated load current $I_L$	16 A (30 °C)
Standby power consumption $P_C$	$\leq 1$ VA
Residual current $I_{PE}$	$\leq 5$ $\mu$ A
Nominal discharge current $I_n$ (8/20) $\mu$ s	3 kA (> 5x)
Combination wave $U_{OC}$	4 kV
Energy absorption symmetrical	140 J (L-N)
Energy absorption, asymmetrical	220 J (L(N)-PE)
Voltage protection level $U_p$ (L-N)	$\leq 1.2$ kV
Voltage protection level $U_p$ (L-PE)	$\leq 1.5$ kV
Voltage protection level $U_p$ (N-PE)	$\leq 1.5$ kV
Response time (L-N)	$\leq 25$ ns
Response time (L-PE)	$\leq 100$ ns
Response time (N-PE)	$\leq 100$ ns
Surge protection fault message	optical
Max. required back-up fuse	16 A (gG / B / C)

### Connection (protective circuit, power supply)

Connection method	Grounding plug/socket
Connection method IN	Grounding plug
Connection method OUT	Grounding socket

### Protective circuit, information technology

Arrester rated voltage $U_C$	24 V DC
Rated current	1.5 A (25 °C)
Operating effective current $I_C$ at $U_C$	$\leq 1$ $\mu$ A
Residual current $I_{PE}$	$\leq 1$ $\mu$ A
Insulation resistance $R_{iso}$	$\geq 70$ M $\Omega$
	$\geq 70$ M $\Omega$
Nominal discharge current $I_n$ (8/20) $\mu$ s (line-earth)	2.5 kA

# Type 3 surge protection device - MNT-TV-SAT D/WH - 2882297

## Technical data

### Protective circuit, information technology

Nominal discharge current $I_n$ (8/20) $\mu$ s (line-shield)	2.5 kA
Nominal discharge current $I_n$ (8/20) $\mu$ s (shield-earth)	5 kA
Voltage protection level $U_p$ (line-shield)	$\leq 700$ V (C2 - 2 kA)
Voltage protection level $U_p$ (shield-earth)	$\leq 1.2$ kV (C2 - 5 kA)
Response time $t_A$ (line-shield)	$\leq 100$ ns
Response time $t_A$ (shield-earth)	$\leq 100$ ns
Input attenuation aE, asym.	typ. 0.3 dB ( $\leq 2.4$ GHz /75 $\Omega$ )
Cut-off frequency $f_g$ (3 dB), asym. (shield) in 75 Ohm system	typ. 2.5 GHz
Frequency range	0 Hz ... 2400 MHz
Capacity asymmetrical (shield)	typ. 10 pF
Nominal pulse current $i_{an}$ (10/1000) $\mu$ s, asym. (shield)	120 A
Residual voltage at $I_n$ (line-shield)	$\leq 40$ V
Residual voltage at $I_n$ (shield-earth)	$\leq 50$ V
Impulse durability (line-shield)	C2 - 4 kV/2 kA C3 - 7.5 kV/100 A
Impulse durability (shield-earth)	C2 - 10 kV/5 kA C3 - 7.5 kV/100 A D1 - 1 kA
Alternating current carrying capacity (line-shield)	5 A - 1 s
Alternating current carrying capacity (shield-earth)	10 A - 1 s
Pulse reset time (line-shield)	$\leq 4$ s

### Power supply, general

Connection method	F connector
Connection method IN	F connector, female
Connection method OUT	F connector, female

### Connection, equipotential bonding, information technology

Connection method	Via protective contact plug
-------------------	-----------------------------

### Standards (protective circuit, information technology)

IEC test classification	C2
	C3
	D1

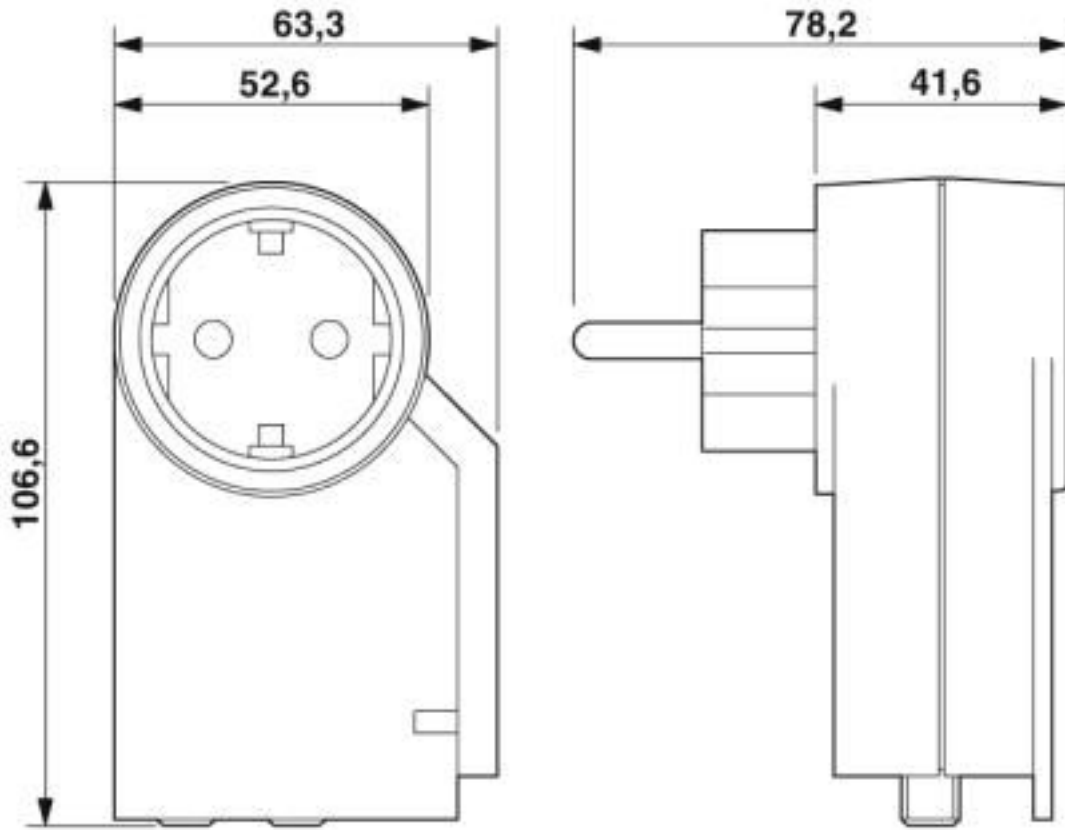
### Environmental Product Compliance

REACH SVHC	Lead 7439-92-1
------------	----------------

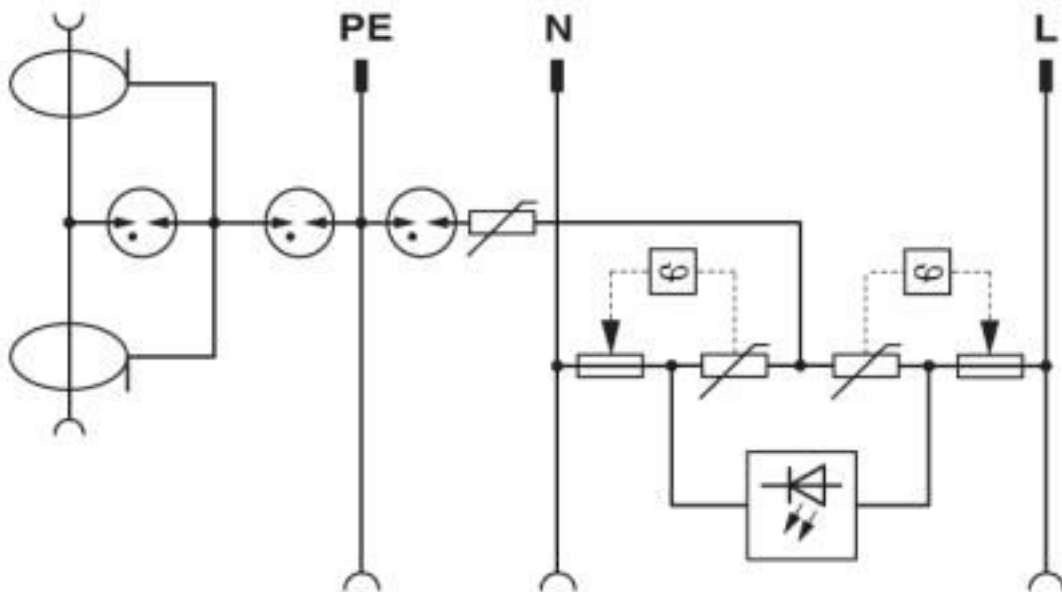
## Drawings

# Type 3 surge protection device - MNT-TV-SAT D/WH - 2882297

Dimensional drawing



Circuit diagram



# Type 3 surge protection device - MNT-TV-SAT D/WH - 2882297

## Classifications

### eCl@ss

eCl@ss 10.0.1	27130810
eCl@ss 4.0	27130800
eCl@ss 4.1	27130800
eCl@ss 5.0	27130800
eCl@ss 5.1	27130800
eCl@ss 6.0	27130800
eCl@ss 7.0	27130810
eCl@ss 8.0	27130810
eCl@ss 9.0	27130810

### ETIM

ETIM 2.0	EC001473
ETIM 3.0	EC001473
ETIM 4.0	EC001473
ETIM 5.0	EC001473
ETIM 6.0	EC001473
ETIM 7.0	EC001473

### UNSPSC

UNSPSC 6.01	30212010
UNSPSC 7.0901	39121610
UNSPSC 11	39121610
UNSPSC 12.01	39121610
UNSPSC 13.2	39121620
UNSPSC 18.0	39121620
UNSPSC 19.0	39121620
UNSPSC 20.0	39121620
UNSPSC 21.0	39121620

## Approvals

### Approvals

---

Approvals

EAC

---

Ex Approvals

---

### Approval details

## Type 3 surge protection device - MNT-TV-SAT D/WH - 2882297

### Approvals

EAC



RU C-  
DE.\*09.B.00169

Phoenix Contact 2020 © - all rights reserved  
<http://www.phoenixcontact.com>

PHOENIX CONTACT GmbH & Co. KG  
Flachsmarktstr. 8  
32825 Blomberg  
Germany  
Tel. +49 5235 300  
Fax +49 5235 3 41200  
<http://www.phoenixcontact.com>

## X-ON Electronics

Largest Supplier of Electrical and Electronic Components

*Click to view similar products for [Surge Suppressors](#) category:*

*Click to view products by [Phoenix Contact](#) manufacturer:*

Other Similar products are found below :

[GUS1](#) [GUS12](#) [BSPM1A600D600LVR](#) [2800521](#) [29-2053](#) [GUS11](#) [GUS2](#) [GUS3](#) [GUS4](#) [30460](#) [SRA64C060X](#) [PC642C015](#) [1810-15-A3](#)  
[2713175](#) [4B06B-EC1-150LF](#) [SRA6LC](#) [BPMA75D100LV](#) [CX06M](#) [CCTV1](#) [GUS13](#) [GUS14](#) [GUS5](#) [GUS6](#) [VAL-MS 320/3+0-FM](#) [VAL-US-](#)  
[120/40/1+1-FM](#) [VAL-US-120/65/1+1-FM](#) [VAL-US-480D/30/3+0-FM](#) [VAL-US-120/40/1+0-FM](#) [STCHSP121BT1RU](#) [LP-BFDN-CW](#) [LP-](#)  
[STRL-NFF](#) [LP-STRL-DFE](#) [GUS22](#) [0804111](#) [5053609](#) [5053201](#) [SPD2-150-1P0](#) [SPD2-550-1P0](#) [6720005416](#) [6720005417](#) [1-2191595-2](#)  
[STC-CAT6-P0E-I](#) [SPD2-350-1P0](#) [FLT-CP-350-ST](#) [TTC-6P-3-HF-F-M-12DC-UT-I](#) [SMTPA200](#) [2800989](#) [2906776](#) [2906810](#) [2906847](#)